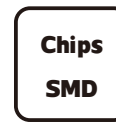
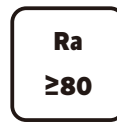


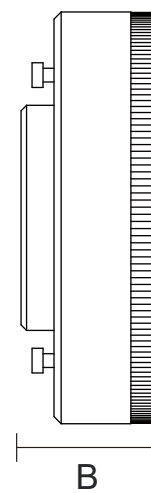
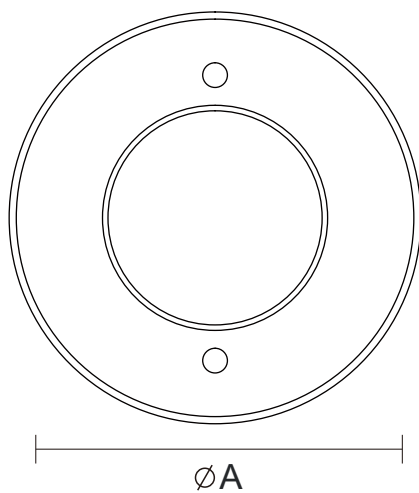
GX53 LED Lamp

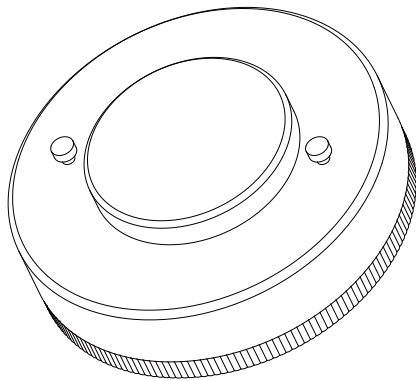
NR-GX53 Series



Item Code	P (W)	Total Lumen	Beam angle	CCT	Dimensions in mm		Socket	
					A	B		
NR-GX53-3W	3	252	120°	3000K/4000K/6500K	Ø73	22	GX53	0.30
NR-GX53-7W	7	616	120°	3000K/4000K/6500K	Ø73	30	GX53	0.40
NR-GX53-10W	10	960	120°	3000K/4000K/6500K	Ø100	28	GX53	0.62
NR-GX53-18W	18	1818	120°	3000K/4000K/6500K	Ø180	28	GX53	0.92

Dimensions in mm





Description:
GX53 LED Lamp

Main material:
Engineering plastics+ Ceramics

Specification
Energy saving, up to 85% energy saving comparing to standard halogen and incandescent lamps
High quality light, high color rendering, less heat, no UV or IR radiation
Build-in LED Driver
IP20

Applications
.Shopping mall
.Hotels
.Exhibition hall
.Art hall
.Museums

