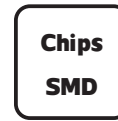
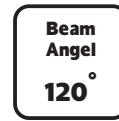
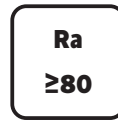
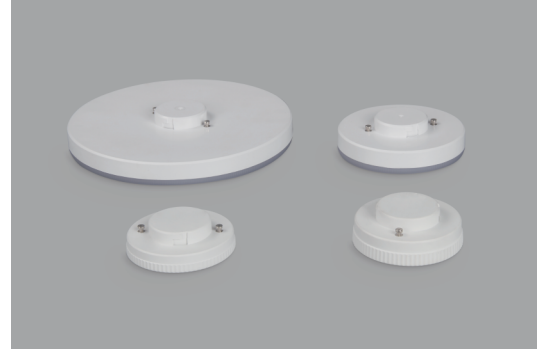


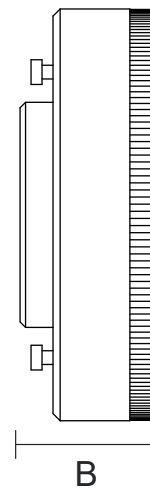
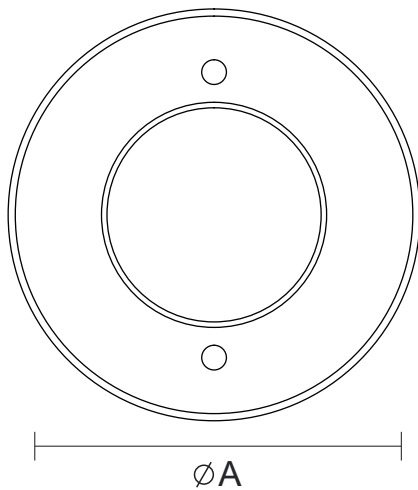
## GX53 LED Lamp

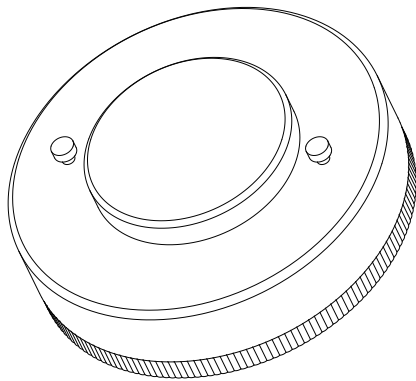
### NR-GX53 Series



Item Code	P (W)	Total Lumen	Beam angle	CCT	Dimensions in mm		Socket	
					A	B		
NR-GX53-3W	3	252	120°	3000K/4000K/6500K	Ø73	22	GX53	0.30
NR-GX53-7W	7	616	120°	3000K/4000K/6500K	Ø73	30	GX53	0.40
NR-GX53-10W	10	960	120°	3000K/4000K/6500K	Ø100	28	GX53	0.62
NR-GX53-18W	18	1818	120°	3000K/4000K/6500K	Ø180	28	GX53	0.92

### Dimensions in mm





**Description:**  
GX53 LED Lamp

**Main material:**  
Engineering plastics+ Ceramics

**Specification**  
Energy saving, up to 85% energy saving comparing to standard halogen and incandescent lamps  
High quality light, high color rendering, less heat, no UV or IR radiation  
Build-in LED Driver  
IP20

**Applications**  
.Shoping mall  
.Hotels  
.Exhibition hall  
.Art hall  
.Museums

