

Mini LED Cup

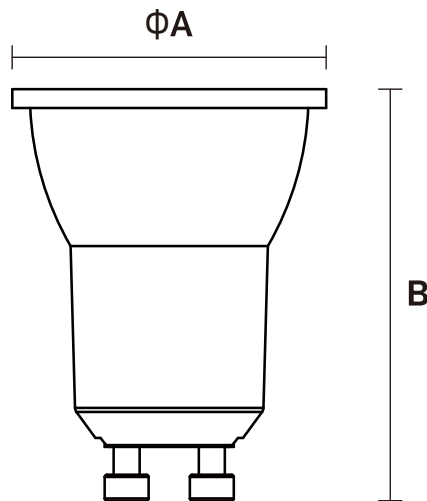
NR-MR11-4W-GU10 Series
IP20



SocKet GU10	Indoor 	AC 100-240V	50/60 Hz	PF ≥0.5	CCT 4000K 3000K 2700K	Ra ≥97	IP20	Beam Angel 70°	Chips SMD	
-----------------------	-------------------	-----------------------	--------------------	-------------------	---------------------------------------	------------------	-------------	--------------------------	---------------------	--

Item Code	P(W)	Total Lumen	Beam Angle	Ra	CCT	Dimensions in mm A B		SocKet	kg
NR-MR11-4W-GU10-2700K	4	320	70°	≥97	2700K	Φ35	46	GU10	0.03
NR-MR11-4W-GU10-3000K	4	320	70°	≥97	3000K	Φ35	46	GU10	0.03
NR-MR11-4W-GU10-4000K	4	320	70°	≥97	4000K	Φ35	46	GU10	0.03

Dimensions in mm





High quality plastic coated aluminum material



High quality flame retardant material

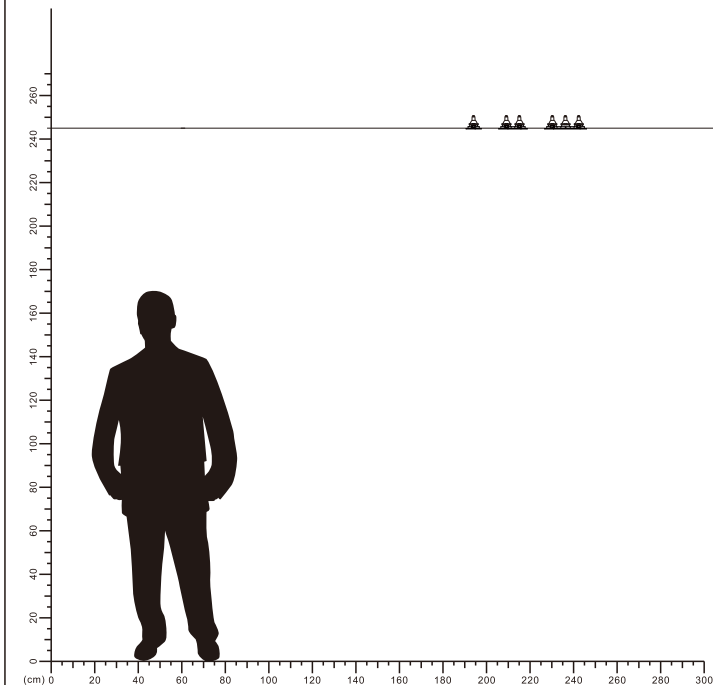


Description:
Mini LED Cup

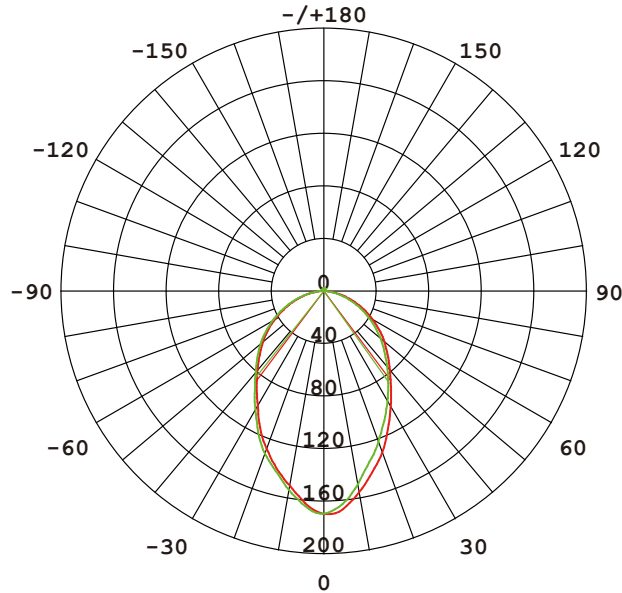
Main material:
Engineering plastics+Aluminum

Specification
Energy saving, up to 85% energy saving
comparing to standard halogen and incandescent
lamps
High quality light, high color rendering, less heat,
no UV or IR radiation
Build-in LED Driver
IP20

Applications
.Shopping mall
.Hotels
.Exhibition hall
.Art hall
.Museums

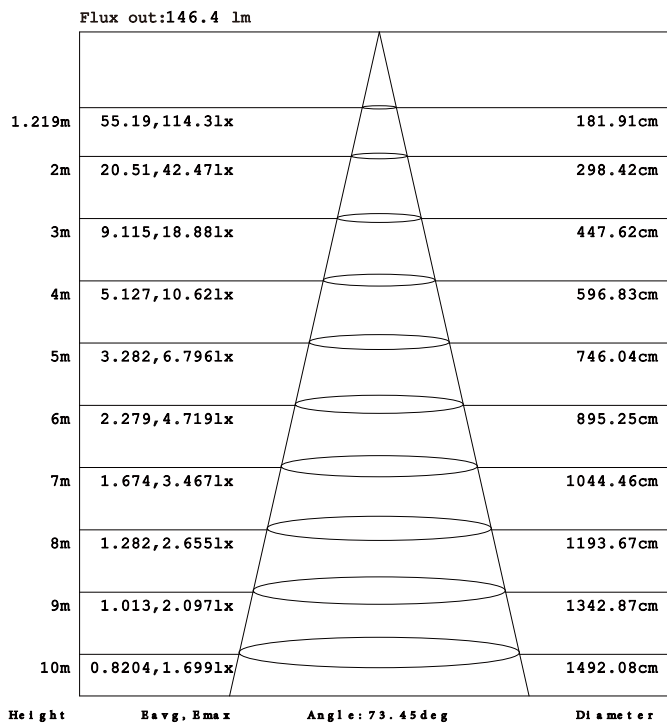


LUMINOUS INTENSITY DISTRIBUTION DIAGRAM

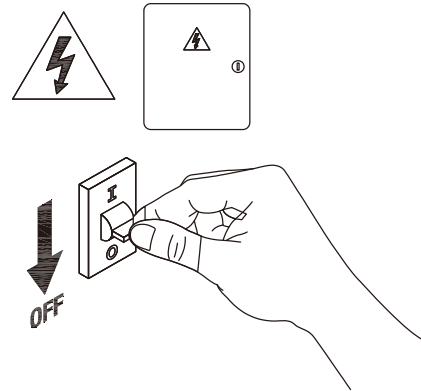
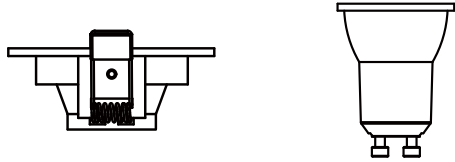


AVERAGE BEAM ANGLE (50%) : 73.6 DEG

Illuminance at a Distance

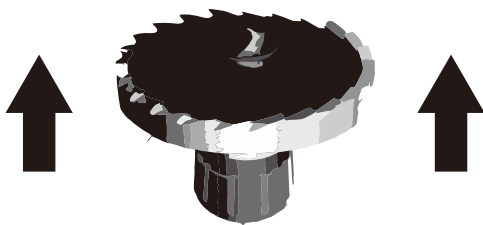


Model:NR-MR11-4W



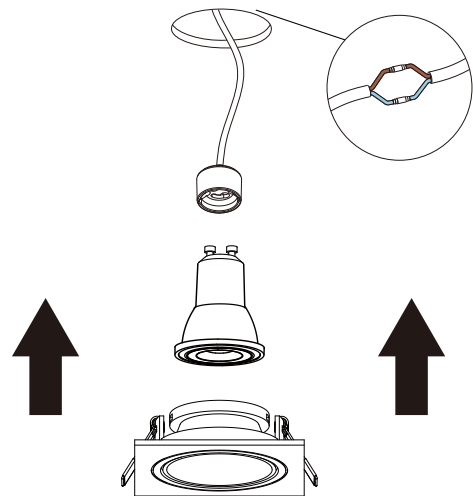
1

Turn off The Power



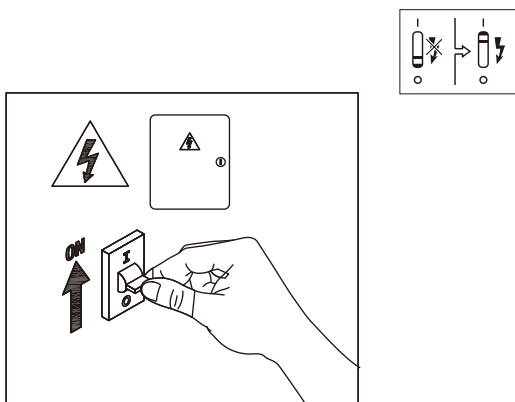
2

Cut a hole on your ceiling



3

Install lamps and wiring



4

Turn on the power

