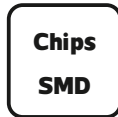
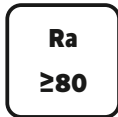


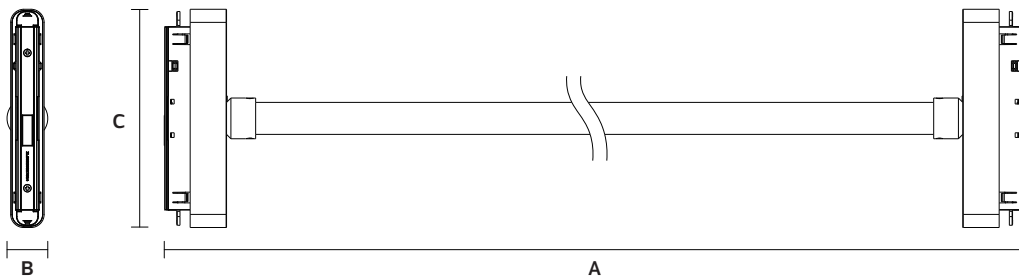
LED Magnetic Track System

NR-MST105 Series
IP20



Item Code	P(W)	Using Track	Total Lumen	Beam Angle	Dimensions in mm			kg
					A	B	C	
NR-MST105-10	10	NR-S20/NR-S35	850	180°	1140	28	150	0.98
NR-MST105-20	20	NR-S20/NR-S35	1700	180°	2140	28	150	1.65

Dimensions in mm

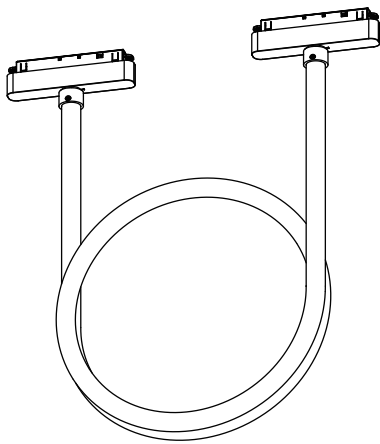




Anti-glare design, no damage to eyes when looking directly at lamps



Strong magnet adsorption track, safe and stable not easy to fall.

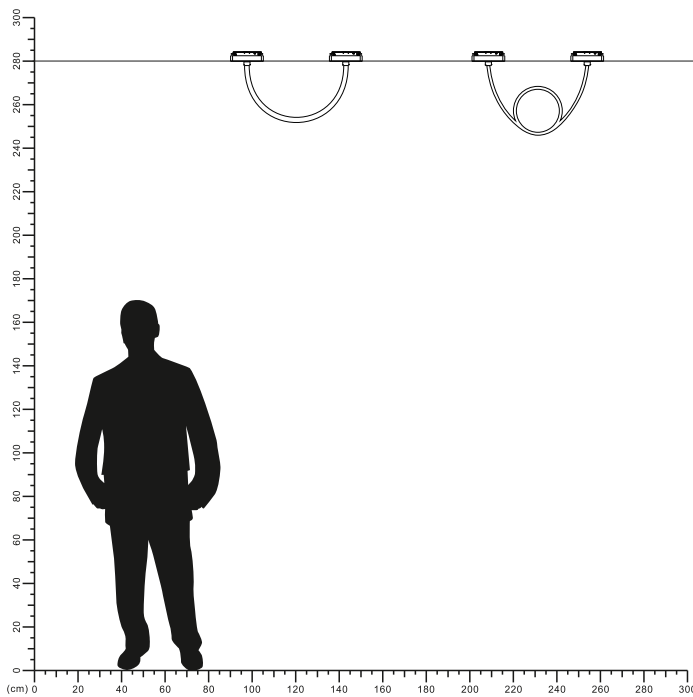


Description:
LED Magnetic Track System

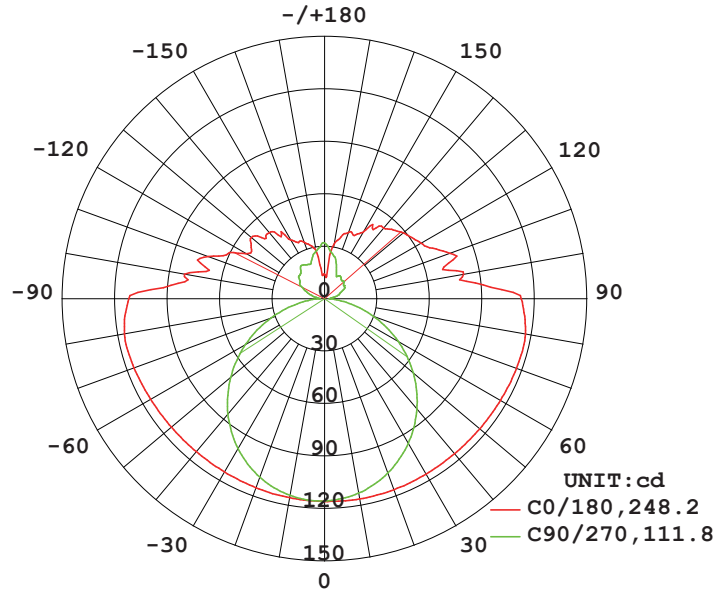
Main material:
Aluminum shell, Silica gel

Specification:
Energy saving, up to 85% energy saving comparing to standard halogen and incandescent lamps
High quality light, high color rendering, less heat, no UV or IR radiation
Build-in LED Driver

Applications
.Office
.Meeting room
.Sitting room



LUMINOUS INTENSITY DISTRIBUTION DIAGRAM



AVERAGE BEAM ANGLE (50%) : 180.0 DEG

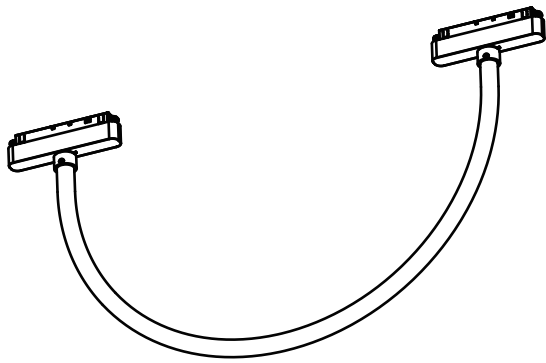
Illuminance at a Distance

Flux out: 280.3 lm

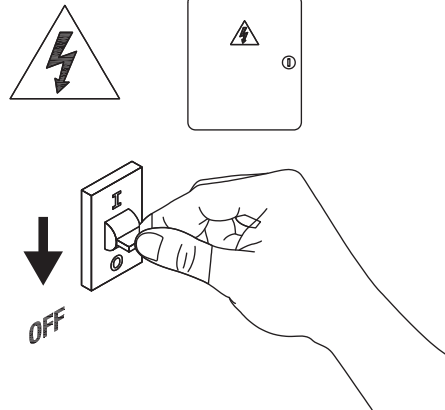
1.219m	27.31, 78.02lx	359.23cm
2m	10.15, 28.99lx	589.29cm
3m	4.510, 12.89lx	883.93cm
4m	2.537, 7.248lx	1178.58cm
5m	1.624, 4.639lx	1473.22cm
6m	1.127, 3.221lx	1767.86cm
7m	0.8284, 2.367lx	2062.51cm
8m	0.6342, 1.812lx	2357.15cm
9m	0.5011, 1.432lx	2651.79cm
10m	0.4059, 1.160lx	2946.44cm

Height Eavg, Emax Angle: 111.66deg Diameter

Note: The Curves indicate the illuminated area and the average illumination when the luminaire is at different distance.

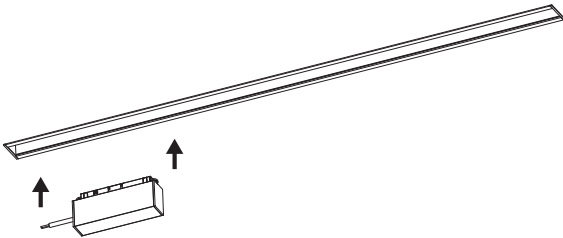


1



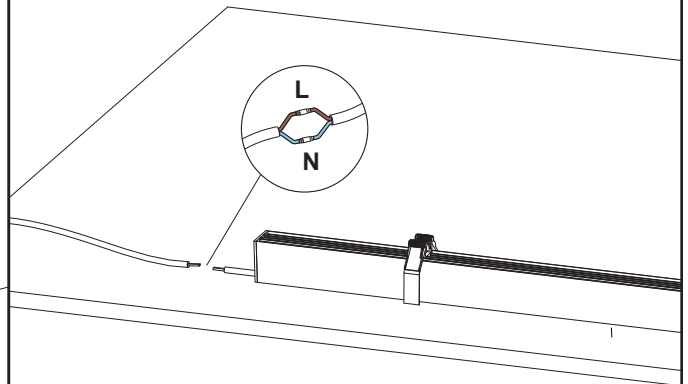
2

Turn off the power



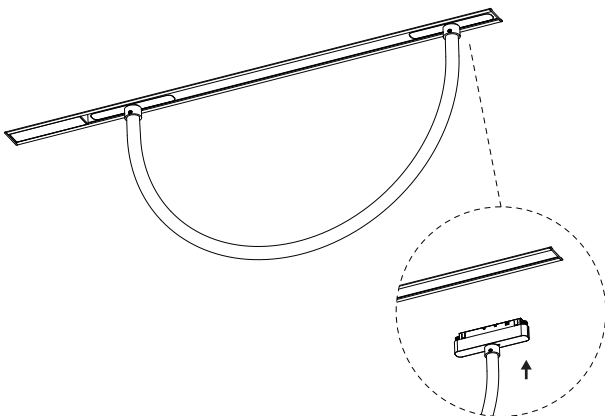
3

Install DC48V power supply



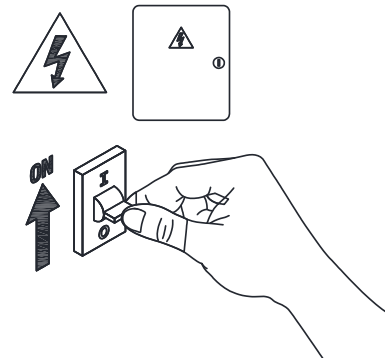
4

Connect the cable



5

Install lamp the Installation is complete



6

Turn on power

