

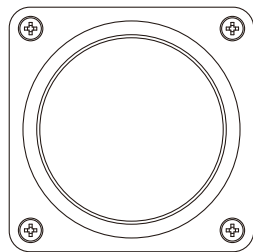
LAMP ACCESSORIES

NR-MZ101-GU10 Series
IP65

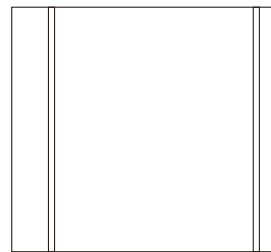


Item Code	Socket	Color	Dimensions in mm		kg
			A	B	
NR-MZ101-GU10-BK	GU10*1	Black	□80	87	0.32
NR-MZ101-GU10-GR	GU10*1	GRAY	□80	87	0.32
NR-MZ101-GU10-B	GU10*1	Beige	□80	87	0.32

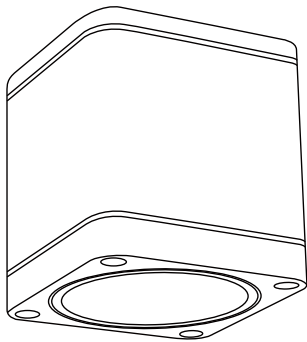
Dimensions in mm



□ A



B



Description:
LAMP ACCESSORIES

Main material:
Aluminum+Glass

Specification

1. Fashionable simplicity: Classic modernist design, simple and generous lamp body, suitable for various decoration styles.
2. Texture material: Adopt high-quality materials, the surface is processed by special technology, which has texture and is easy to clean.
3. Multiple lights: Unique design concept, multiple light effects to choose from, both beautiful and practical.
4. Easy installation: The lamp holder adopts a user-friendly installation design, which is convenient, quick, time-saving and labor-saving.

Applications

. Park . Square . Tourist attraction . Corridor

