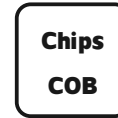
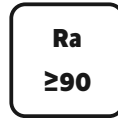


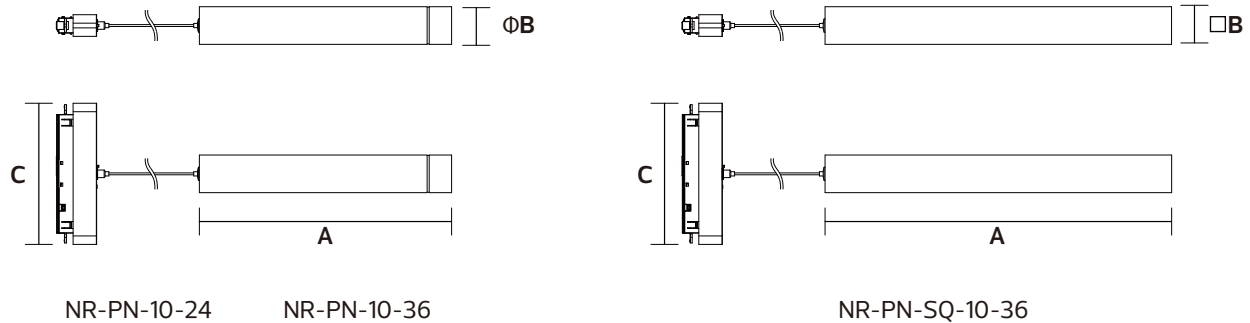
LED Magnetic Track System

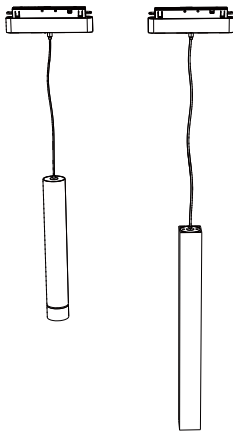
NR-PN Series
IP20



Item Code	P(W)	Using Track	Total Lumen	Beam Angle	Dimensions in mm			kg
					A	B	C	
NR-PN-10-24	10	NR-S20/NR-S35	710	24°	270	Φ41	150	0.27
NR-PN-10-36	10	NR-S20/NR-S35	710	36°	270	□41	150	0.27
NR-PN-SQ-10-36	10	NR-S20/NR-S35	710	36°	398	□41	150	0.60

Dimensions in mm



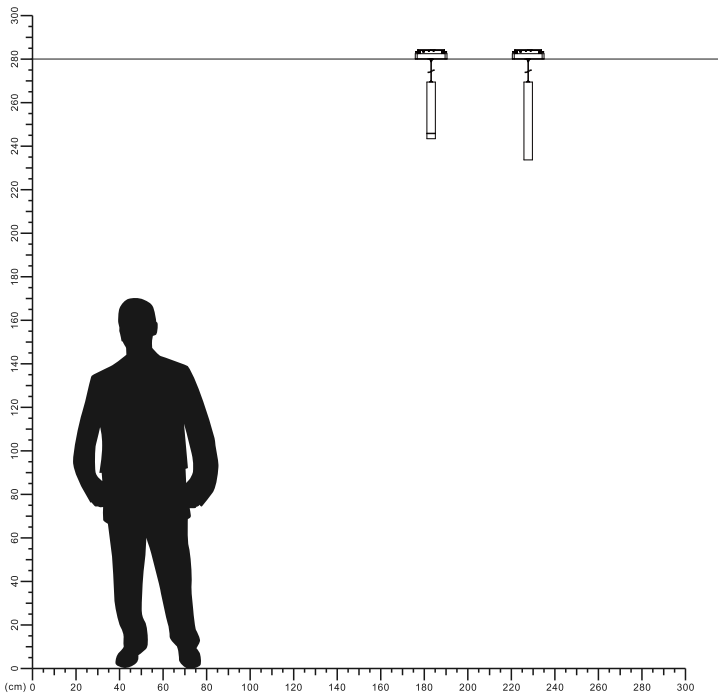


Description:
LED Magnetic Track System

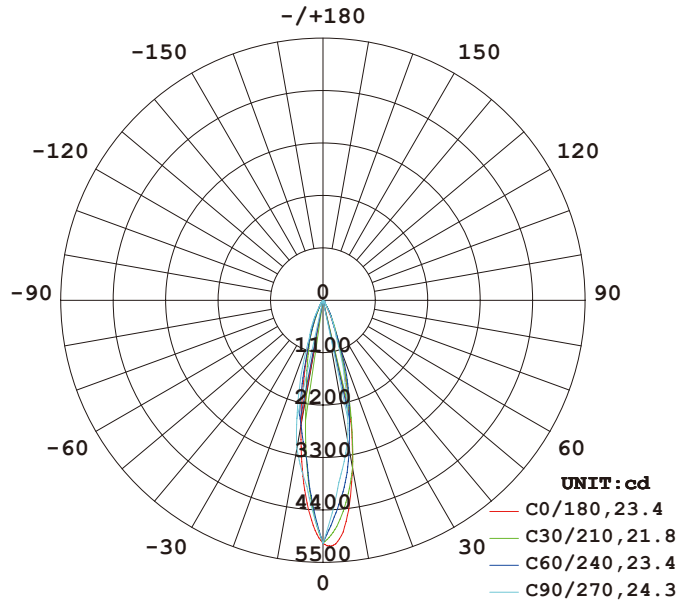
Main material:
Aluminum shell

Specification:
Energy saving, up to 85% energy saving comparing to standard halogen and incandescent lamps
High quality light, high color rendering, less heat, no UV or IR radiation
Build-in LED Driver

Applications
.Office
.Meeting room
.Sitting room



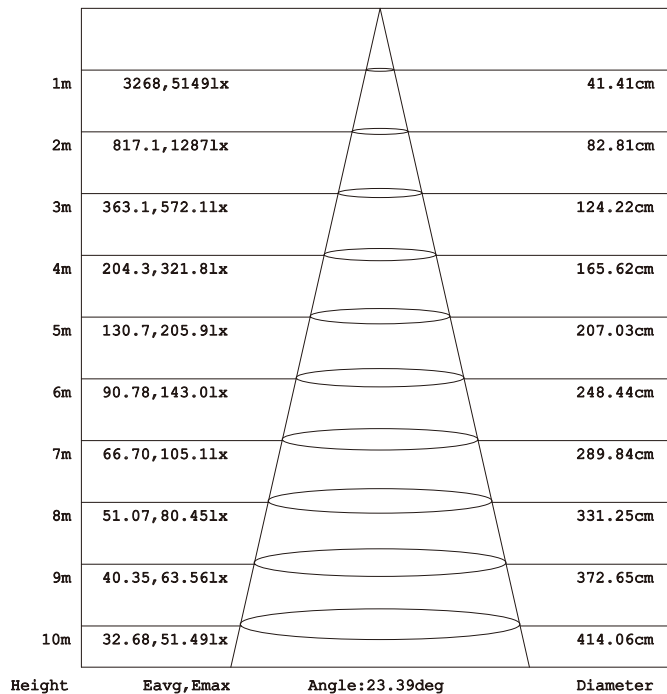
LUMINOUS INTENSITY DISTRIBUTION DIAGRAM



AVERAGE BEAM ANGLE (50%) : 23.2 DEG

Illuminance at a Distance

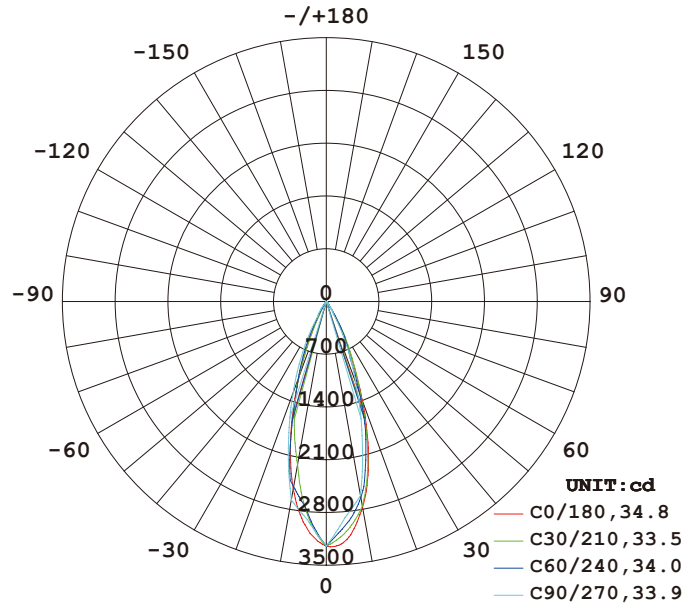
Flux out: 463.9 lm



Note: The Curves indicate the illuminated area and the average illumination when the luminaire is at different distance.

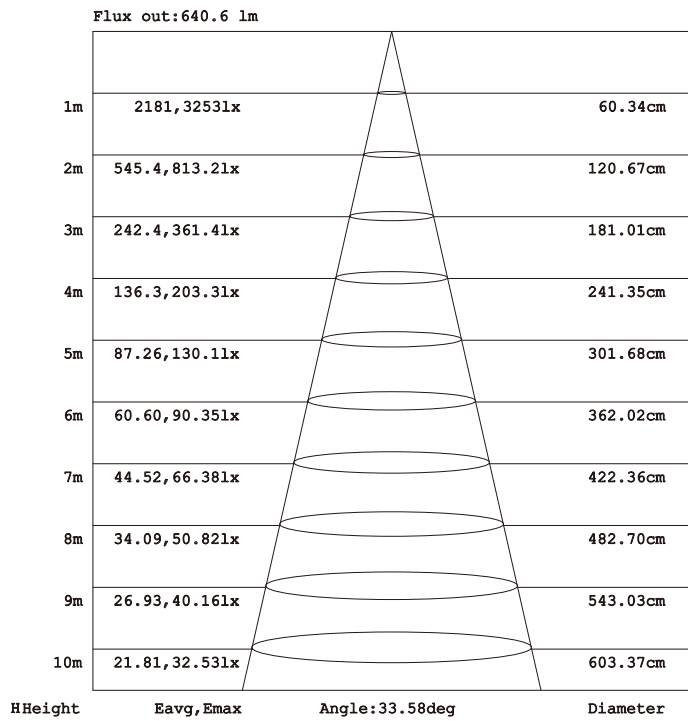
Model: NR-PN-10-24

LUMINOUS INTENSITY DISTRIBUTION DIAGRAM



AVERAGE BEAM ANGLE (50%) : 34.1 DEG

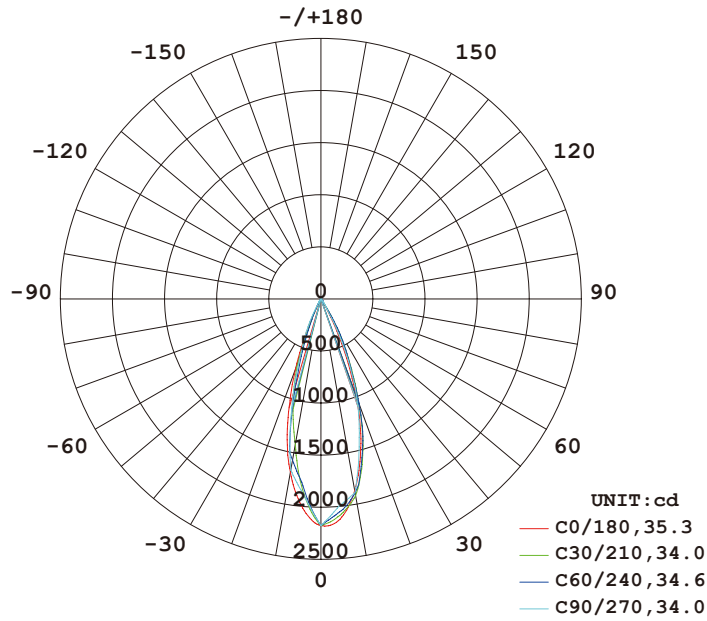
Illuminance at a Distance



Note: The Curves indicate the illuminated area and the average illumination when the luminaire is at different distance.

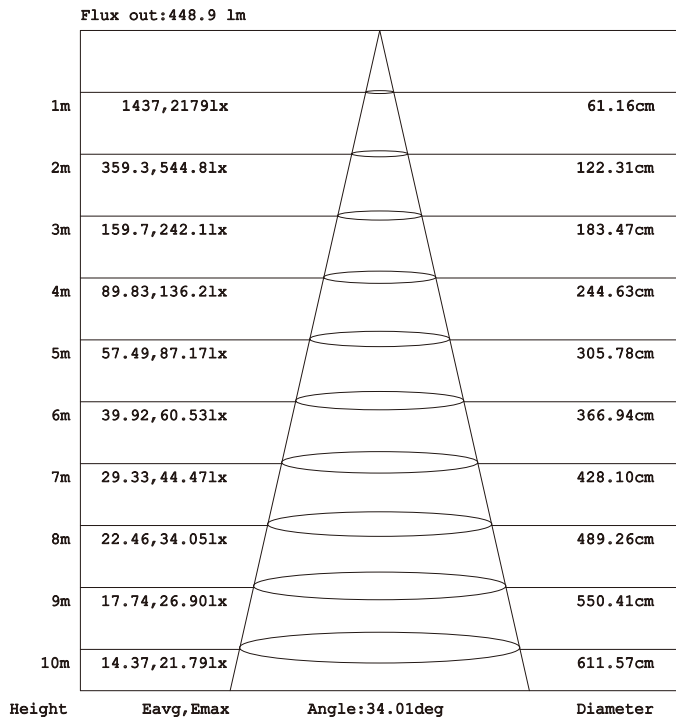
Model:NR-PN-10-36

LUMINOUS INTENSITY DISTRIBUTION DIAGRAM

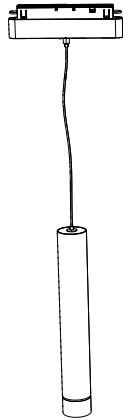


AVERAGE BEAM ANGLE (50%) : 34.5 DEG

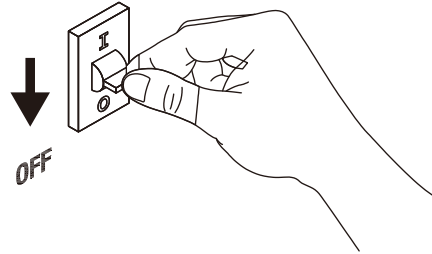
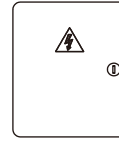
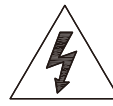
Illuminance at a Distance



Note: The Curves indicate the illuminated area and the average illumination when the luminaire is at different distance.

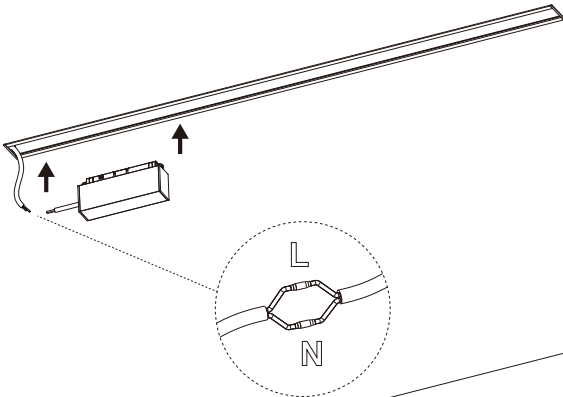


1



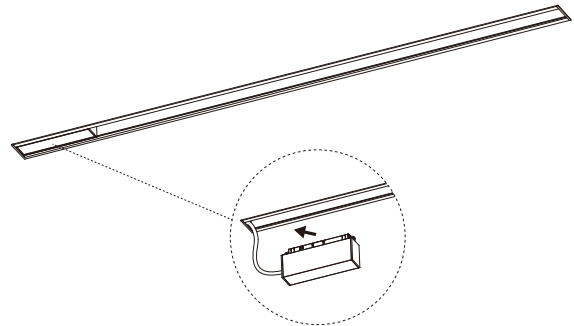
2

Turn off the power



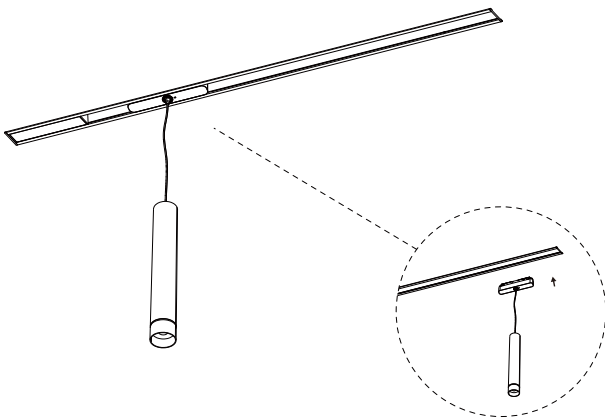
3

connect the cable



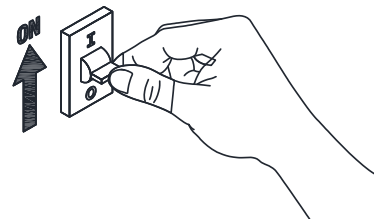
4

Install DC48V power supply



5

Install lamp the Installation is complete



6

Turn on power

