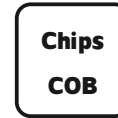
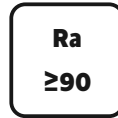


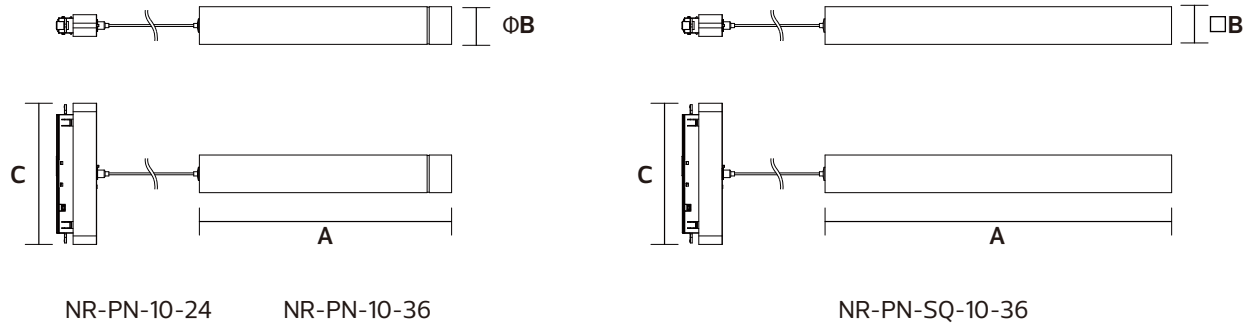
## LED Magnetic Track System

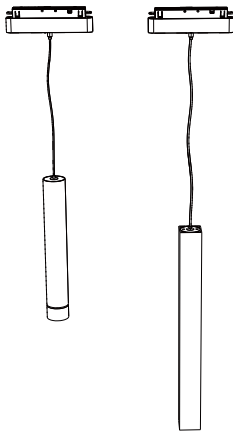
NR-PN Series  
IP20



Item Code	P(W)	Using Track	Total Lumen	Beam Angle	Dimensions in mm			kg
					A	B	C	
NR-PN-10-24	10	NR-S20/NR-S35	710	24°	270	Φ41	150	0.27
NR-PN-10-36	10	NR-S20/NR-S35	710	36°	270	□41	150	0.27
NR-PN-SQ-10-36	10	NR-S20/NR-S35	710	36°	398	□41	150	0.60

### Dimensions in mm



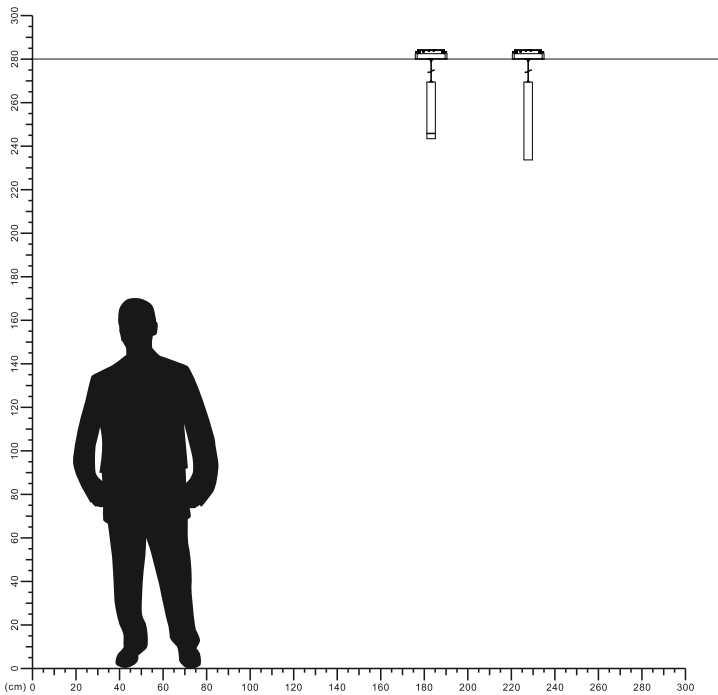


**Description:**  
LED Magnetic Track System

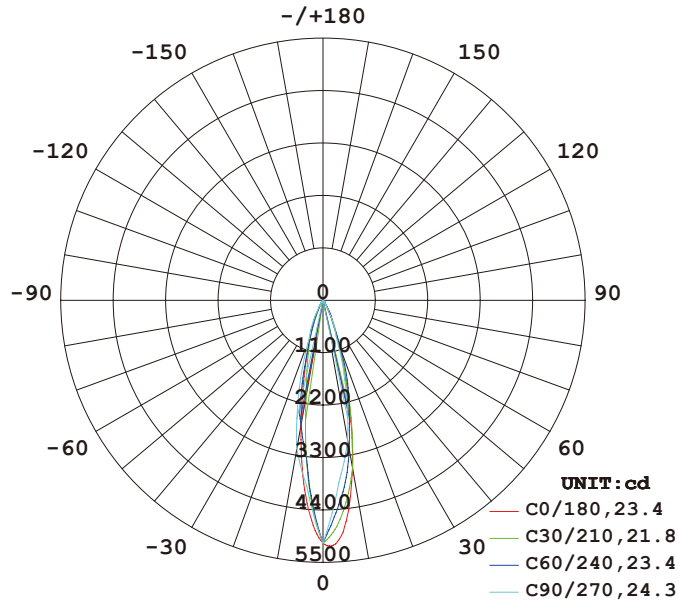
**Main material:**  
Aluminum shell

**Specification:**  
Energy saving, up to 85% energy saving comparing to standard halogen and incandescent lamps  
High quality light, high color rendering, less heat, no UV or IR radiation  
Build-in LED Driver

**Applications**  
.Office  
.Meeting room  
.Sitting room



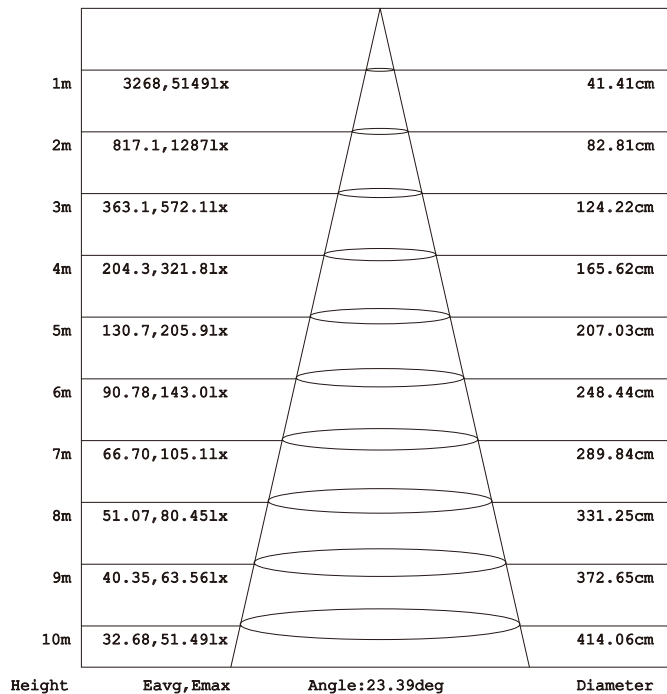
# LUMINOUS INTENSITY DISTRIBUTION DIAGRAM



**AVERAGE BEAM ANGLE (50%) : 23.2 DEG**

## Illuminance at a Distance

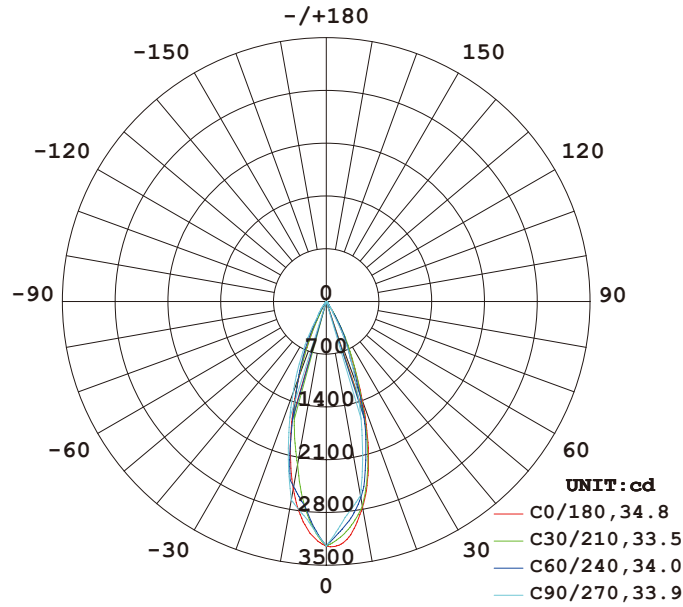
Flux out: 463.9 lm



Note: The Curves indicate the illuminated area and the average illumination when the luminaire is at different distance.

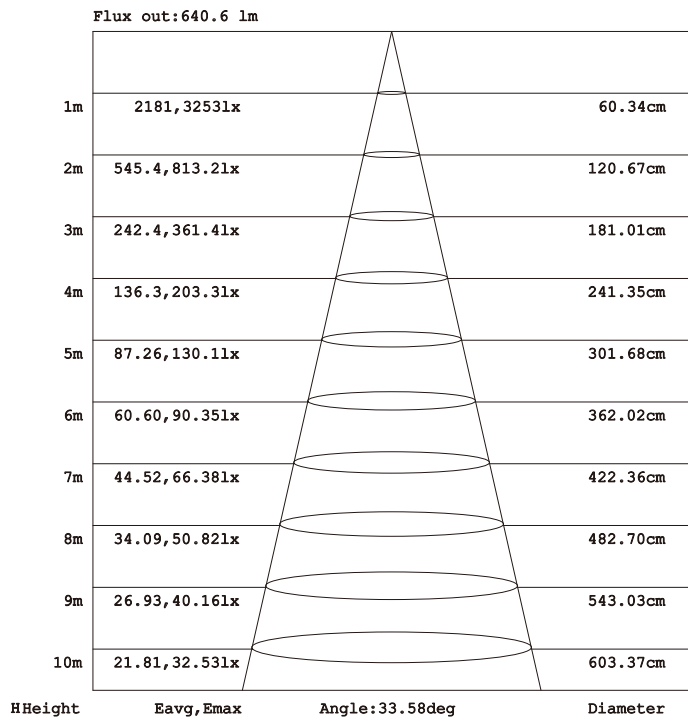
**Model: NR-PN-10-24**

# LUMINOUS INTENSITY DISTRIBUTION DIAGRAM



**AVERAGE BEAM ANGLE (50%) : 34.1 DEG**

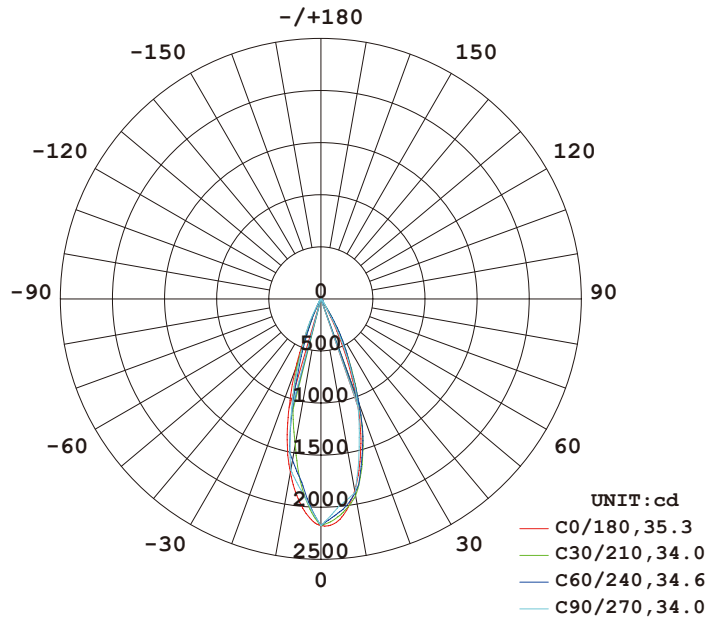
## Illuminance at a Distance



Note: The Curves indicate the illuminated area and the average illumination when the luminaire is at different distance.

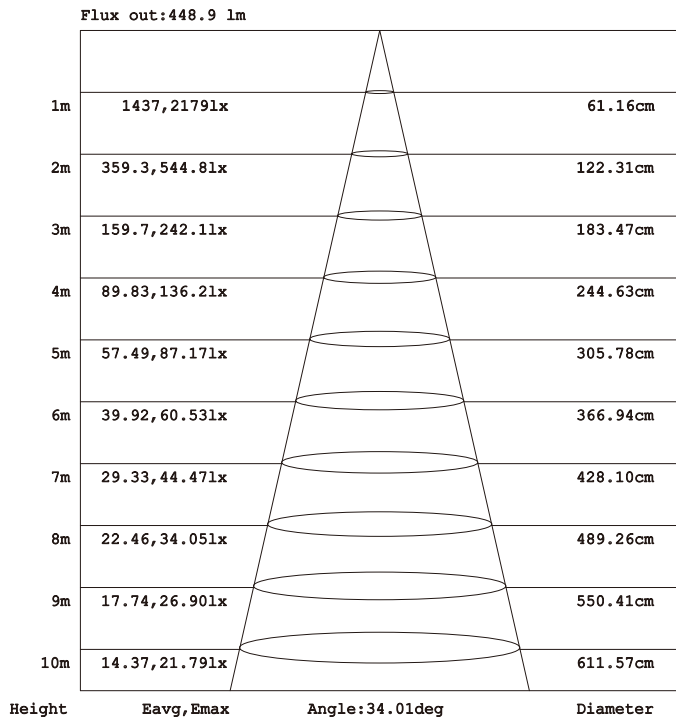
**Model:NR-PN-10-36**

# LUMINOUS INTENSITY DISTRIBUTION DIAGRAM

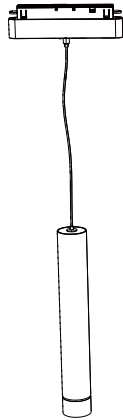


**AVERAGE BEAM ANGLE (50%) : 34.5 DEG**

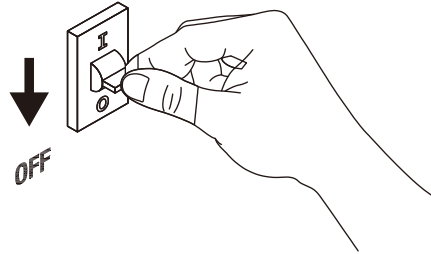
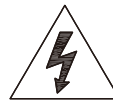
## Illuminance at a Distance



Note: The Curves indicate the illuminated area and the average illumination when the luminaire is at different distance.

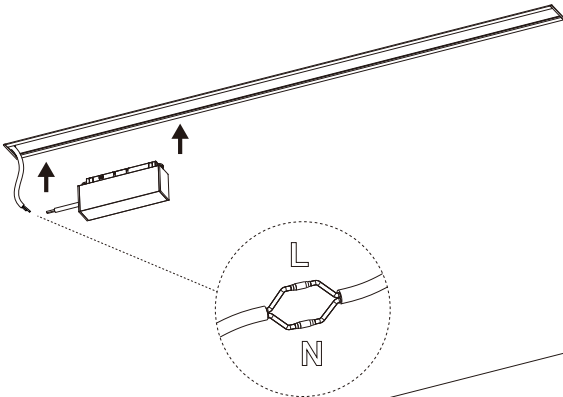


**1**



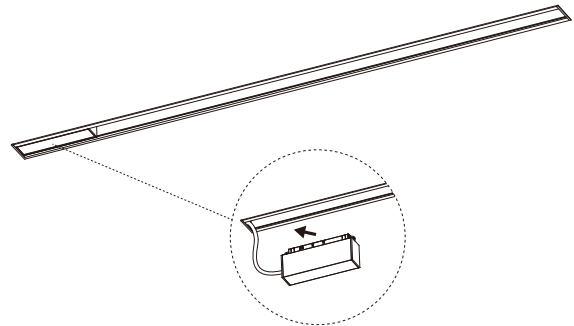
**2**

**Turn off the power**



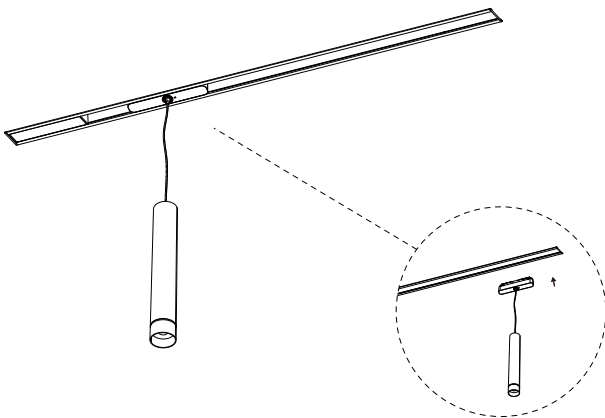
**3**

**connect the cable**



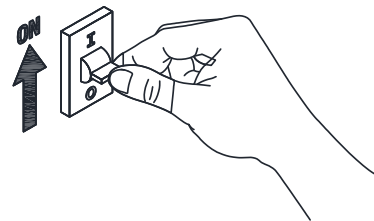
**4**

**Install DC48V power supply**



**5**

**Install lamp the Installation is complete**



**6**

**Turn on power**

