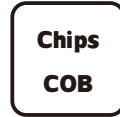
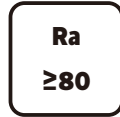


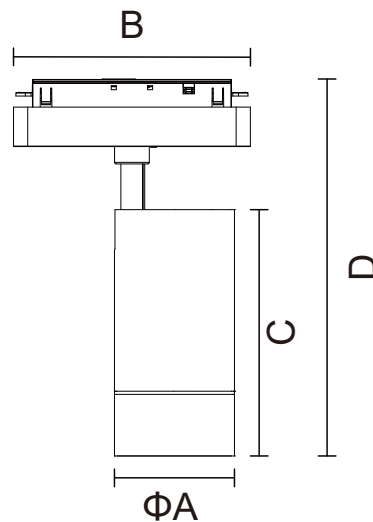
LED MAGNETIC TRACK SYSTEM

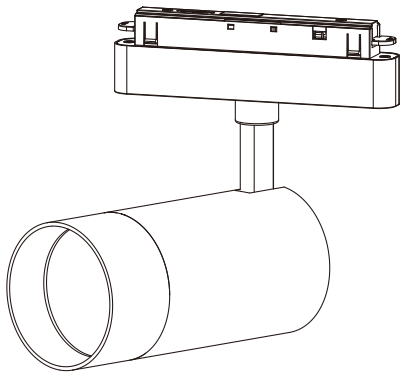
NR-S20-Sunset-10 Series
IP20



Item Code	P(W)	CCT(K)	Output (lm)	LM/W	Beam Angle	Color	Dimensions in mm				kg
							A	B	C	D	
NR-S20-Sunset-10	10	1800	560	56	80°	Black	Φ50	150	120	212	0.33
NR-S20-Sunset-10-WH	10	1800	560	56	80°	White	Φ50	150	120	212	0.33

Dimensions in mm



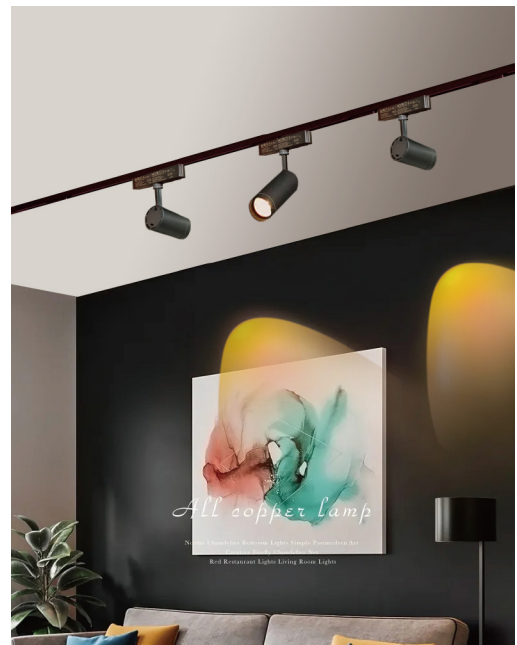
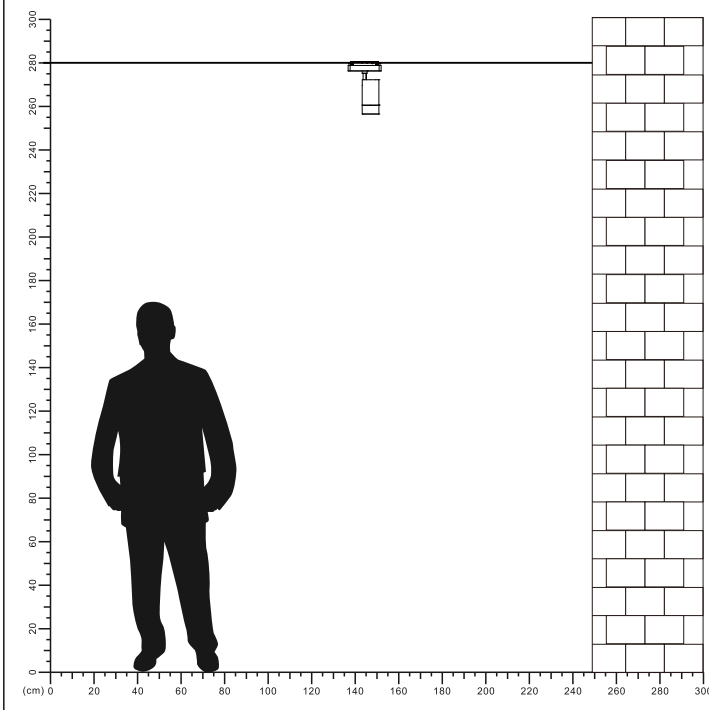


Description:
LED MAGNETIC TRACK SYSTEM

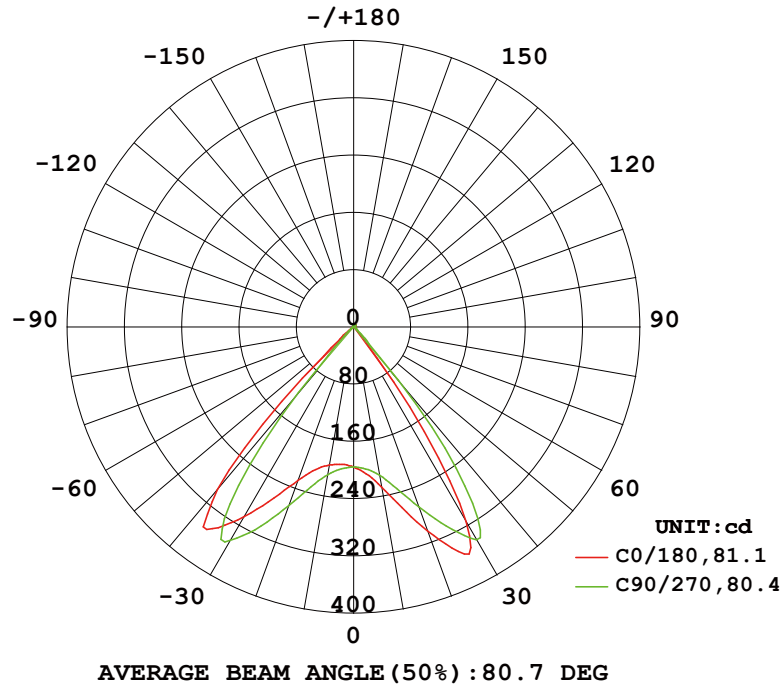
Main material:
Aluminum+Engineering plastics

Specification
1.Fashionable simplicity: Classic modernist design, simple, suitable for various decoration styles.

- Applications**
- . drawing room
 - . Office buildings
 - . Exhibition hall



LUMINOUS INTENSITY DISTRIBUTION DIAGRAM



Illuminance at a Distance

