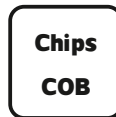
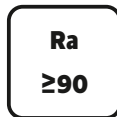


LED Downlight

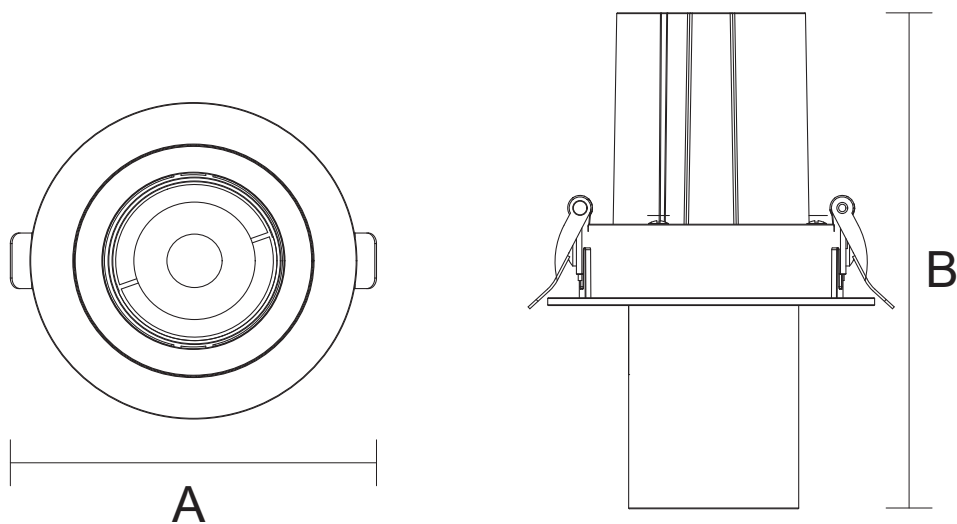
NR-SL103-7

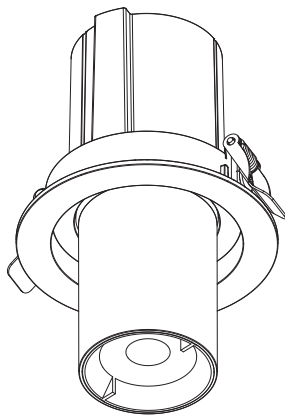
IP20



Item Code	P (W)	Color	Output (lm)	lm/w	Dimensions in mm		Hole Size (mm)	kg
					A	B		
NR-SL103-7	7	White	540	77.14	Φ90	136	Φ80	0.25

Dimensions in mm



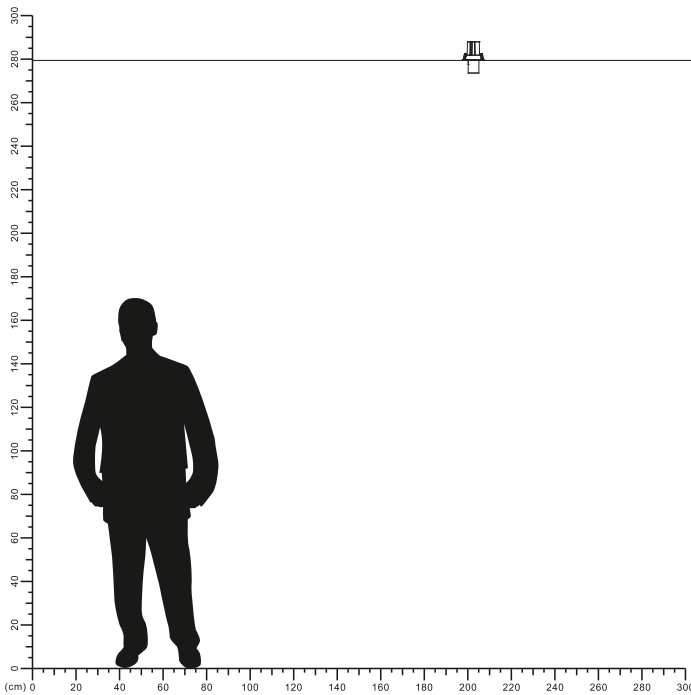


Description:
LED SL103 Downlight

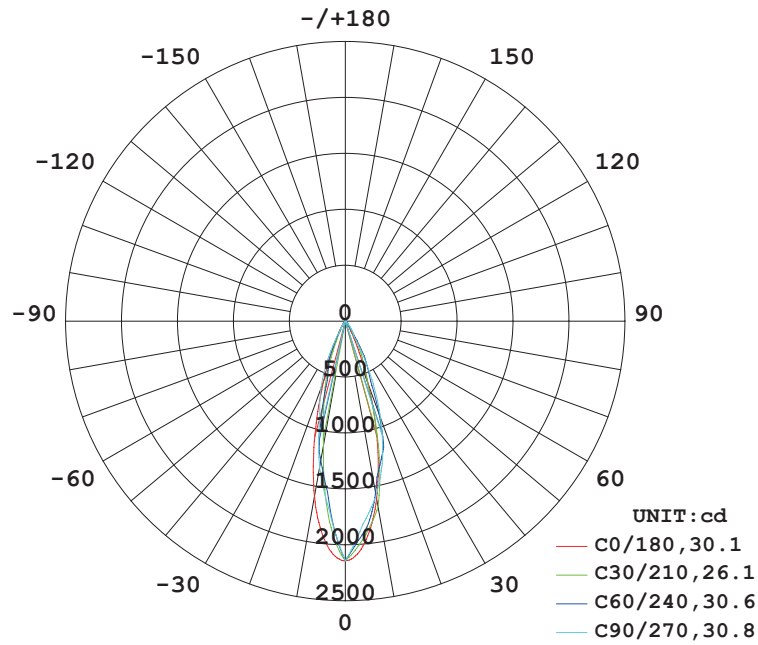
Main material:
Die-cast aluminum+Engineering plastics

Specification
Energy saving, up to 85% energy saving comparing to standard halogen and incandescent lamps
High quality light, high color rendering, less heat, no UV or IR radiation
LED driver is included
IP20

Applications
. Shopping mall
. Office buildings
. Exhibition hall

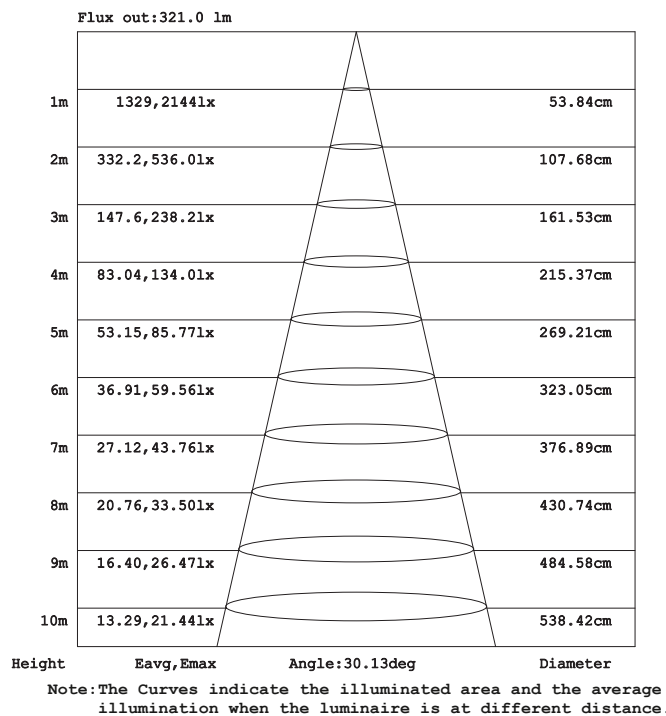


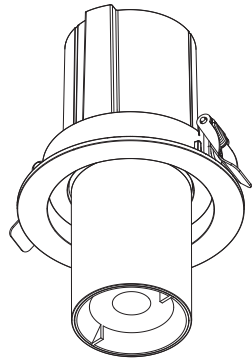
LUMINOUS INTENSITY DISTRIBUTION DIAGRAM



AVERAGE BEAM ANGLE (50%) : 29.4 DEG

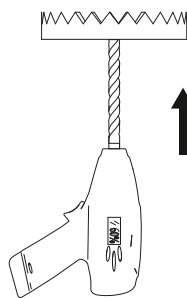
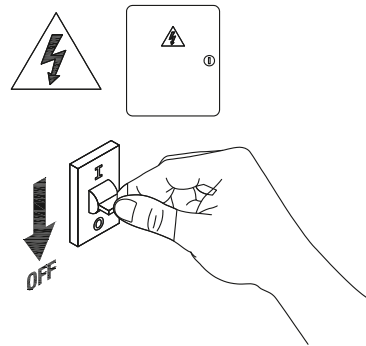
Illuminance at a Distance





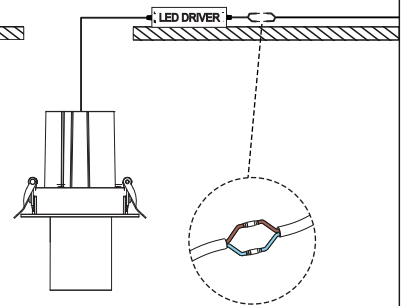
1

Turn off The Power



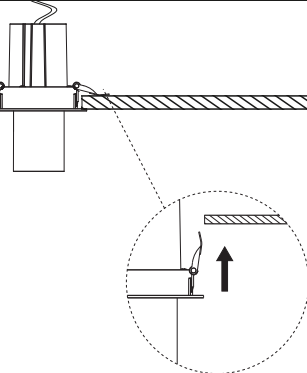
2

Cut a hole in the ceiling



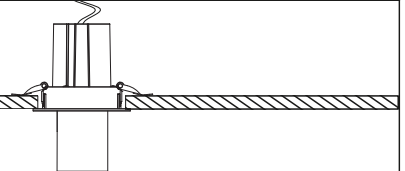
3

Connect Cable



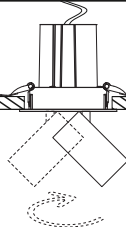
4

Buckle automatically fall down



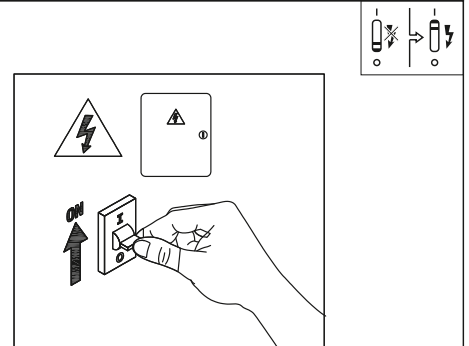
5

installaion is complete



6

The lamp can rotate 360°



7

Turn on the power

