

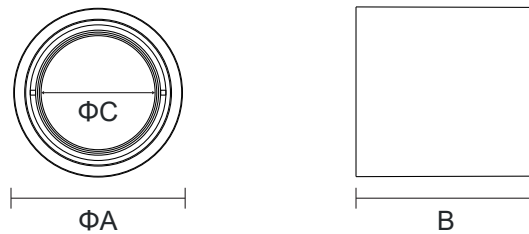
Surface Lamp Frame

NR-Surface Series
IP20

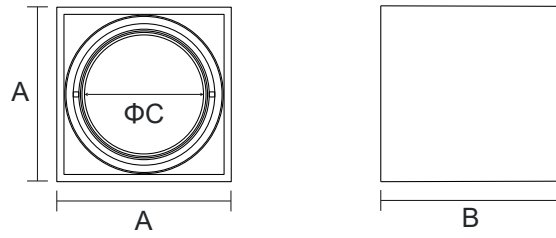


Item Code	Match Lamp	Color	Dimensions in mm			kg
			A	B	C	
NR-Surface-MR16	MR16/GU10	White /Black	Φ93	100	Φ42	0.23
NR-Surface-MR16-SQ	MR16/GU10	White /Black	93*93	100	Φ42	0.23
NR-Surface-AR111	AR111	White /Black	Φ153	143	Φ98	0.36
NR-Surface-AR111-SQ	AR111	White /Black	170*170	143	Φ98	0.66
NR-Surface-200	HV-DL103-30 NR-CL103COB-30	White /Black	Φ230	100	155	0.40
NR-Surface-200-SQ	HV-DL103-30 NR-CL103COB-30	White /Black	235*235	100	150	0.55
NR-Surface-230	HV-DL103-30/60/80 NR-CL103COB-30/60	White /Black	236	175	155	0.52

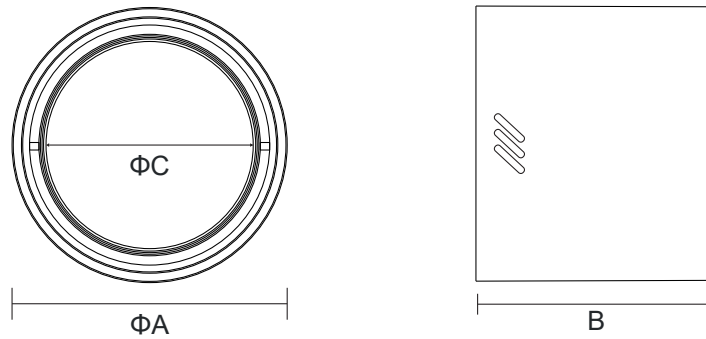
Dimensions in mm



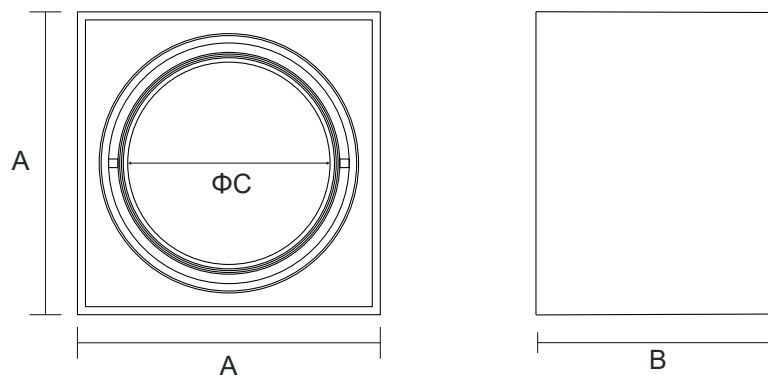
NR-Surface-MR16



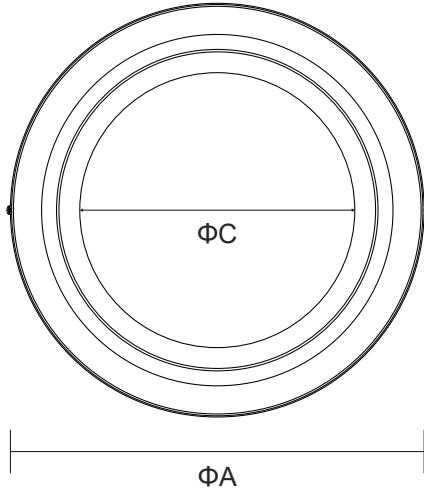
NR-Surface-MR16-SQ



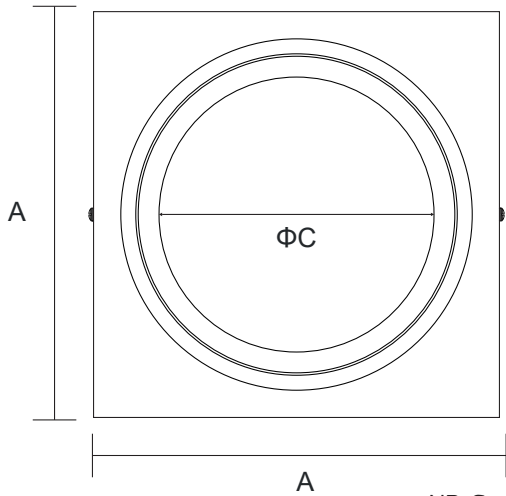
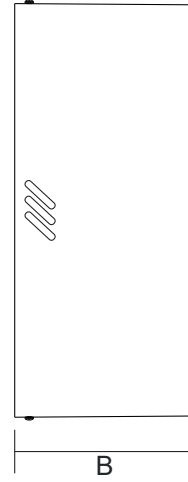
NR-Surface-AR111



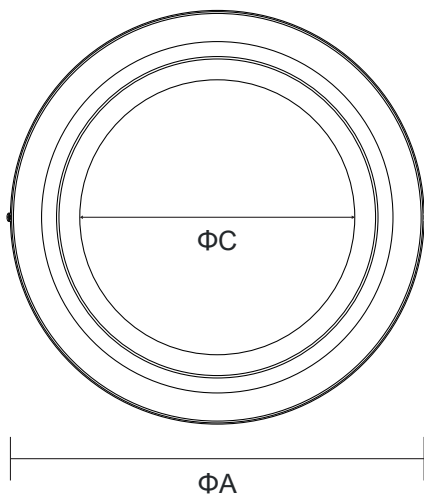
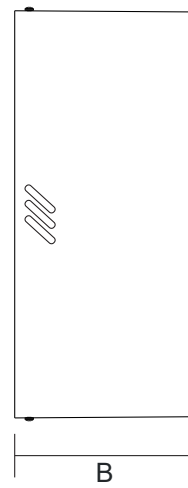
NR-Surface-AR111-SQ



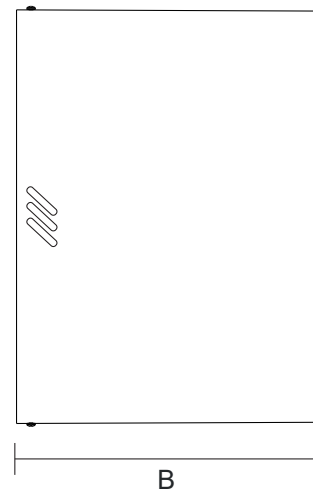
NR-Surface-200

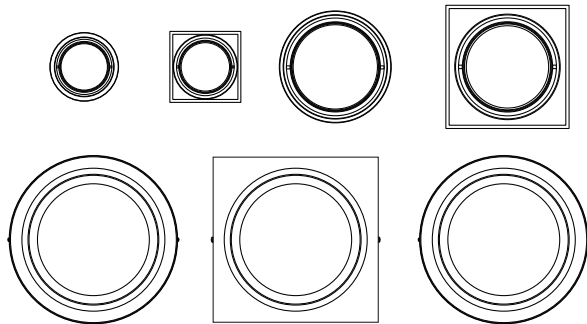


NR-Surface-200-SQ



NR-Surface-230





Description:
LED Surface Frame

Main material:
Iron

Specification
Easy to install, no need for drilling.
It is suitable for conventional dark lamps and lanterns,
and the shrapnel can be removed to support the
use of the shell
IP20

Applications
.Shopping mall
.Office building
.exhibition

