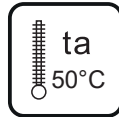


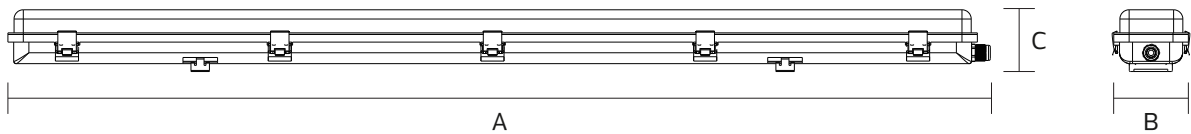
## LAMP BRACKET

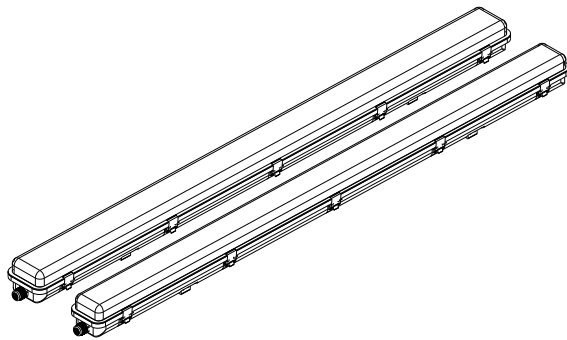
NR-T8-ABS Series  
IP65



Item Code	Input	Interface	Dimensions in mm			kg
			A	B	C	
NR-T8-ABS-1X120	AC220-240V 50/60Hz Max40W	1XG13	1280	70	80	0.75
NR-T8-ABS-2X120	AC220-240V 50/60Hz Max40W	2XG13	1280	100	80	0.96

### Dimensions in mm



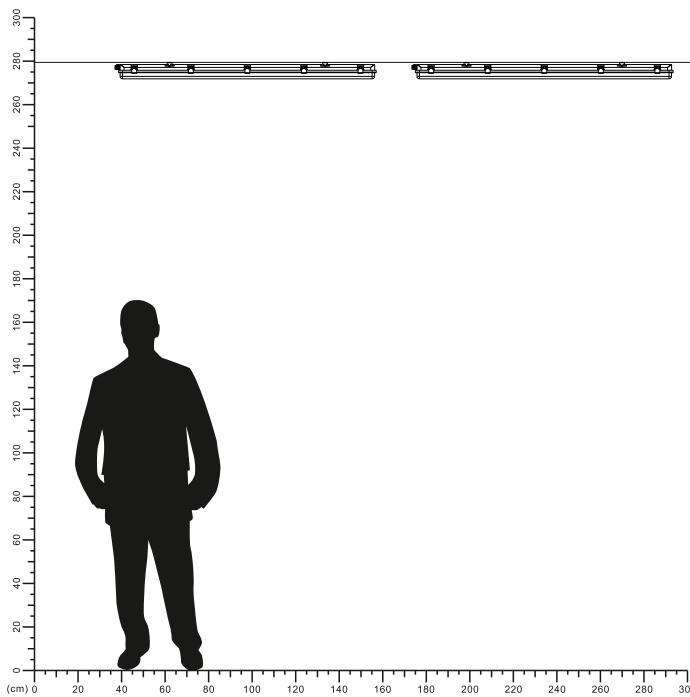


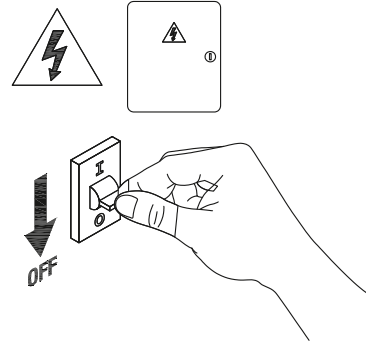
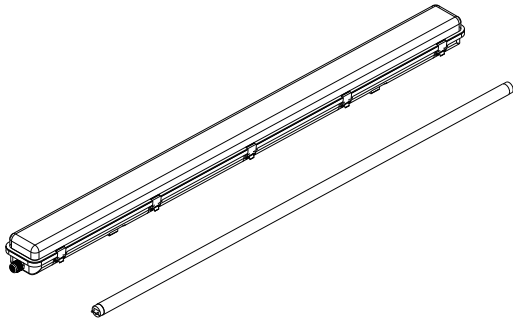
**Description:**  
LAMP BRACKET

**Main material:**  
ABS

**Specification:**  
Chemical corrosion resistance, heat resistance, high impact strength and surface hardness, thermal deformation temperature is higher than PP, PVC, ABS electrical insulation is better, and almost unaffected by temperature, humidity and frequency, can be used in most environments

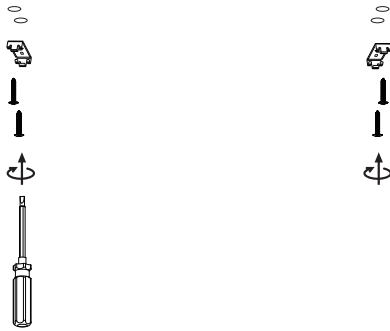
**Applications**  
.Kitchen  
.Courtyard  
.Supermarket





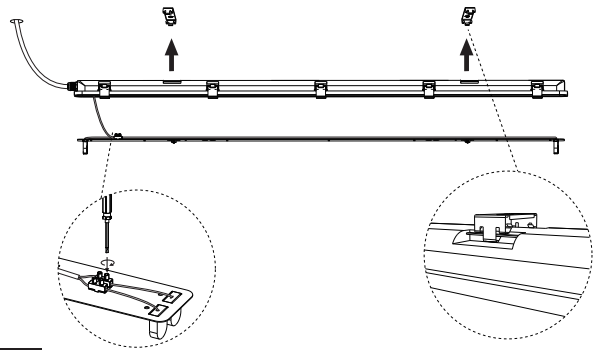
1

Turn off The Power



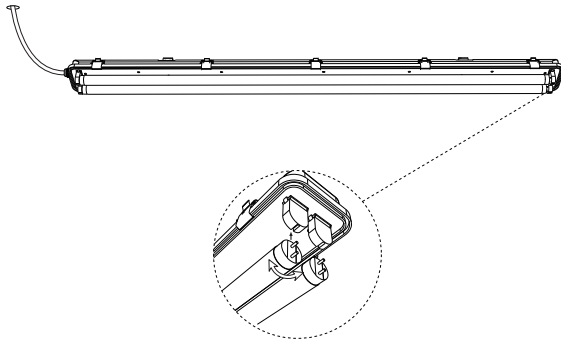
2

Drill four holes in the ceiling and  
Install the clip on the ceiling



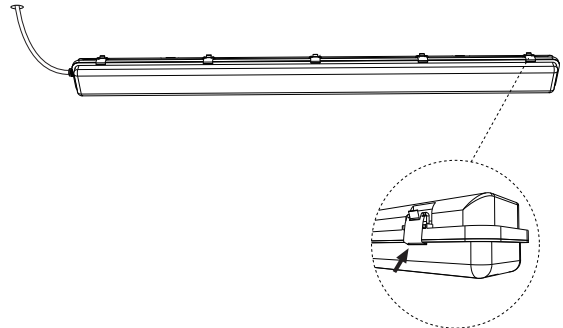
3

Install the base in the clasp and  
Connecting cable



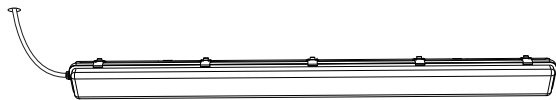
4

Install the T8 optical tube



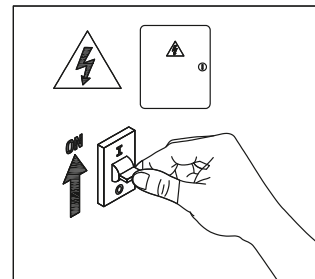
5

Install transparent cover



6

Installation completed



7

Turn on the power

