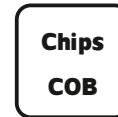
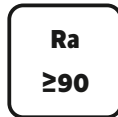
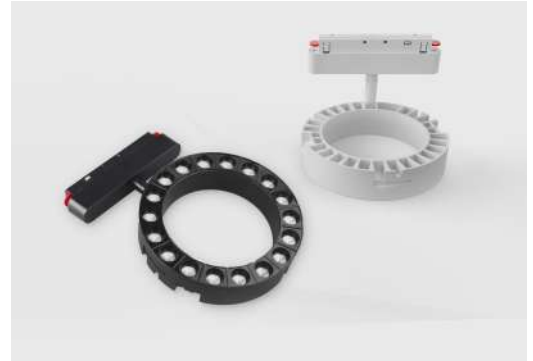


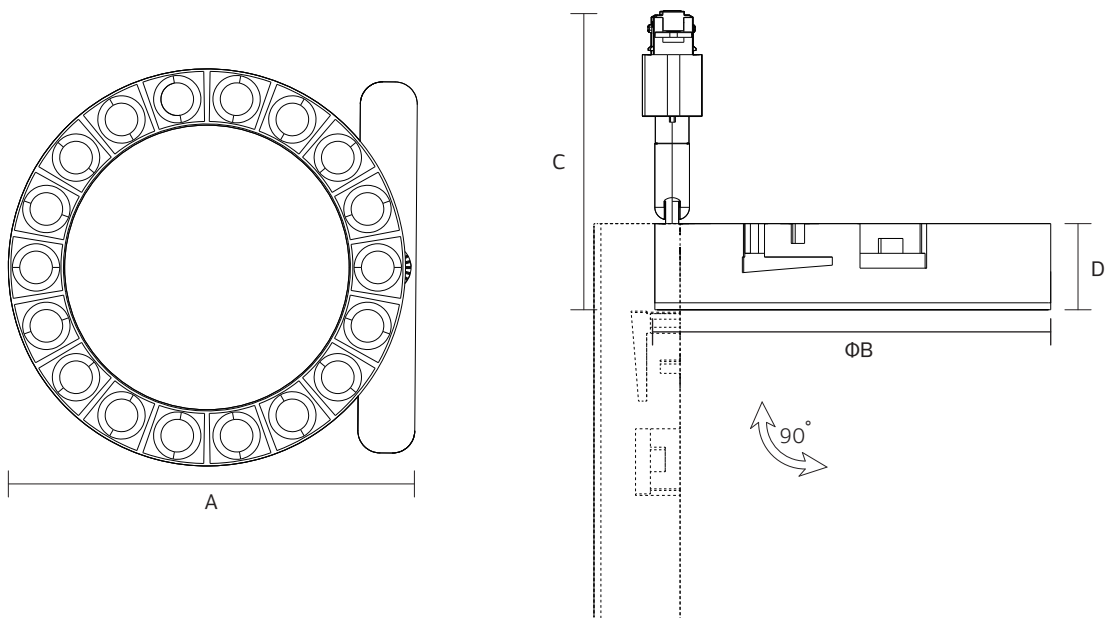
## LED Magnetic Track System

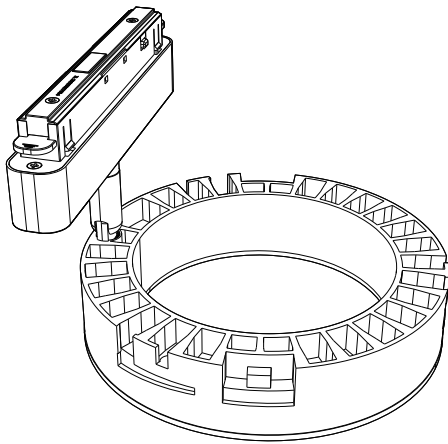
NR-TG105-15



| Item Code   | P(W) | Color       | Using Track   | Total Lumen | Beam Angle | Dimensions in mm |      |     |    | kg   |
|-------------|------|-------------|---------------|-------------|------------|------------------|------|-----|----|------|
|             |      |             |               |             |            | A                | B    | C   | D  |      |
| NR-TG105-15 | 15   | Black/White | NR-S20/NR-S35 | 1155        | 36°        | 165              | Φ158 | 120 | 35 | 0.38 |

### Dimensions in mm



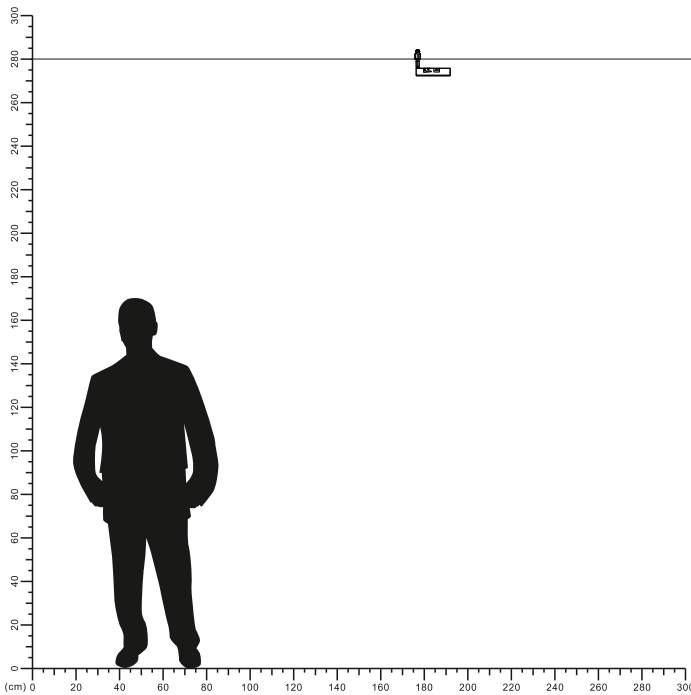


**Description:**  
LED Magnetic Track System

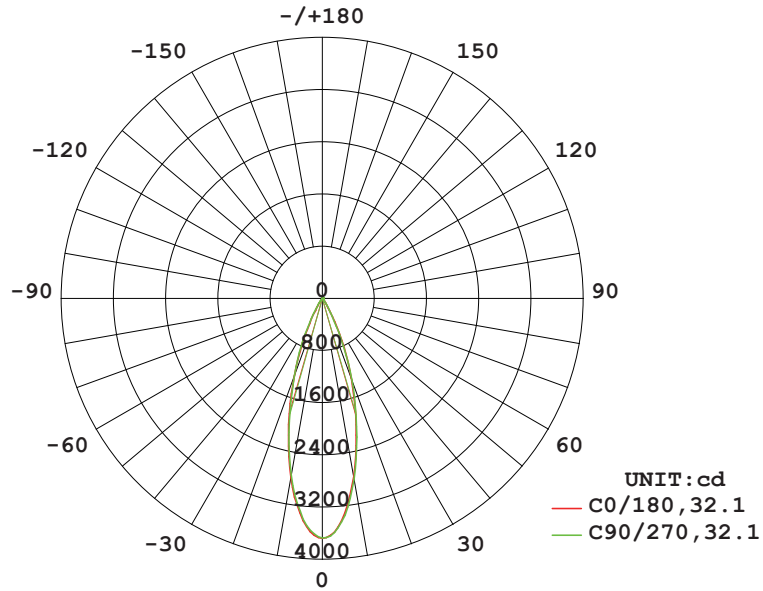
**Main material:**  
Aluminum shell, Silica gel

**Specification:**  
Energy saving, up to 85% energy saving comparing to standard halogen and incandescent lamps  
High quality light, high color rendering, less heat, no UV or IR radiation  
Build-in LED Driver

**Applications**  
.Office  
.Meeting room  
.Sitting room

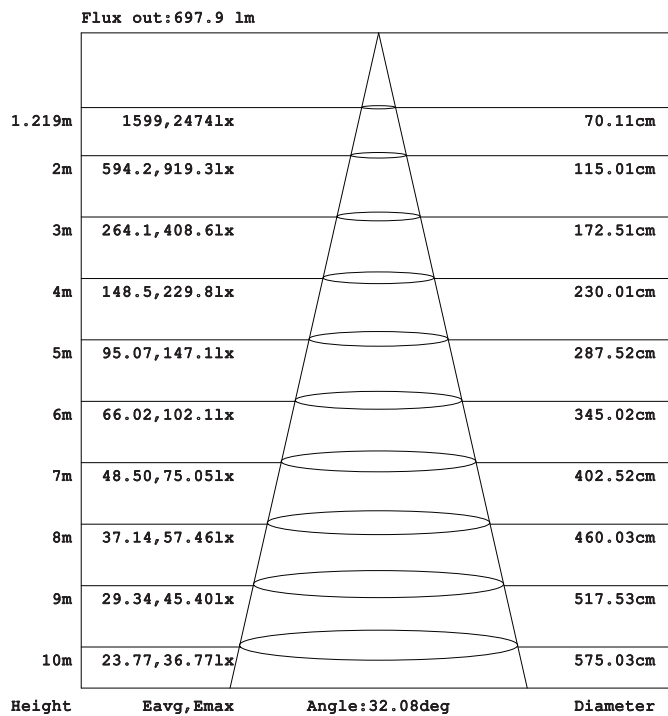


# LUMINOUS INTENSITY DISTRIBUTION DIAGRAM



**AVERAGE BEAM ANGLE (50%) : 32.1 DEG**

## Illuminance at a Distance



Note: The Curves indicate the illuminated area and the average illumination when the luminaire is at different distance.

