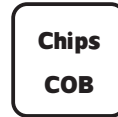
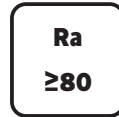


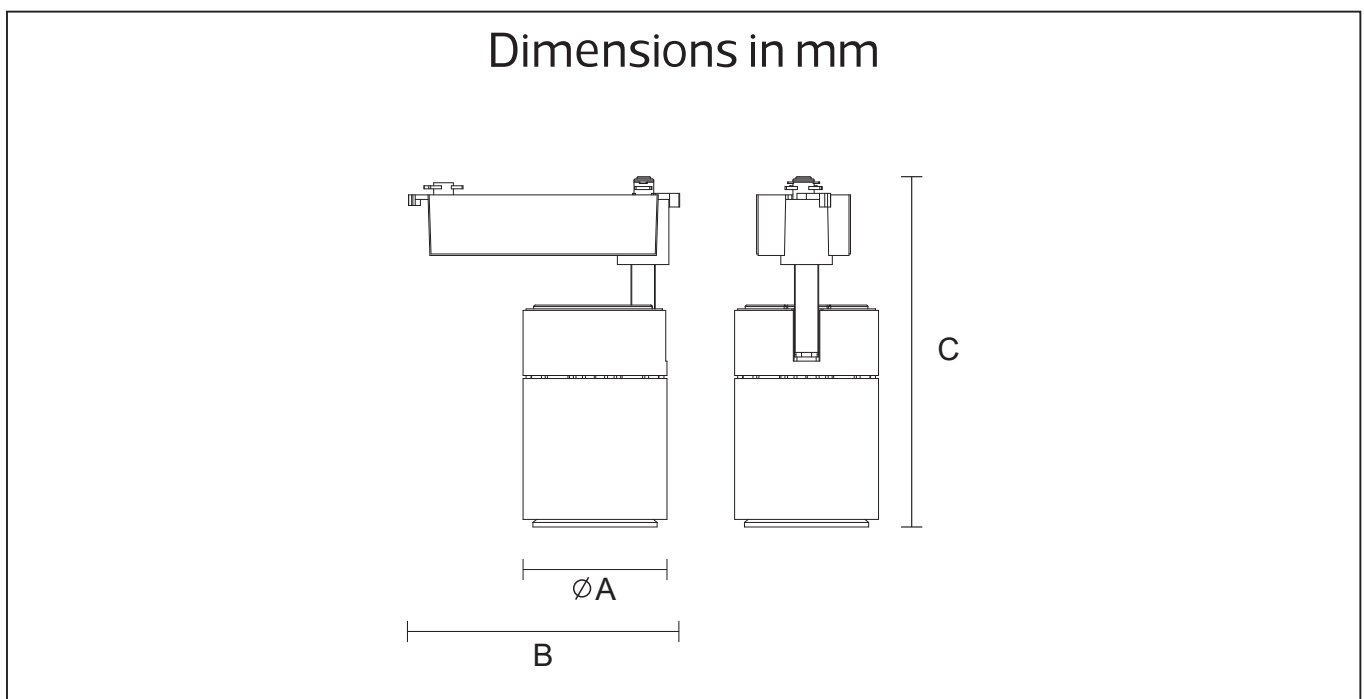
LED Track Light

NR-TL101 Series


IP20

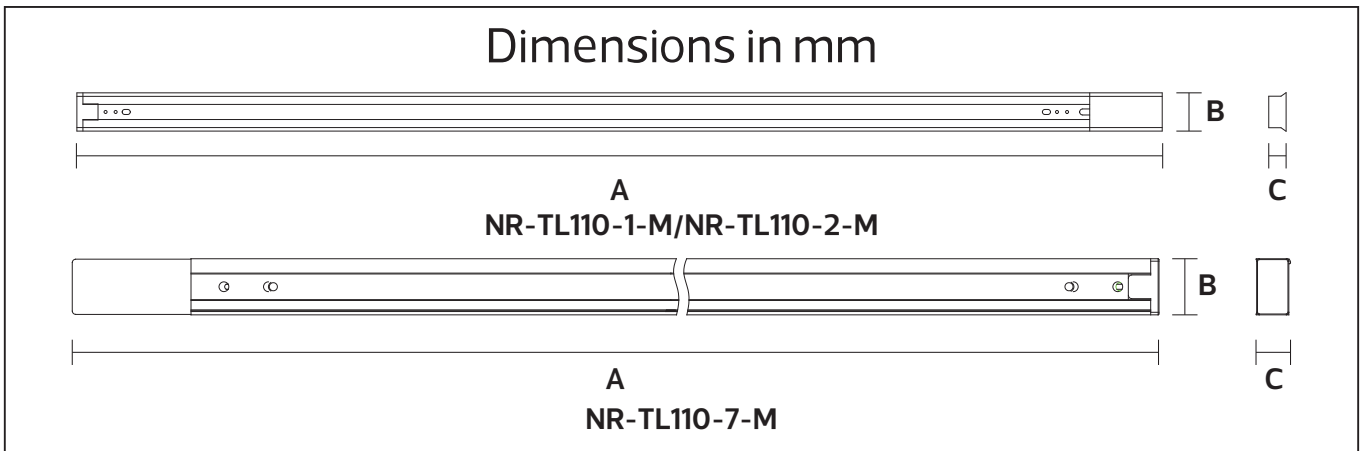


Item Code	P(W)	CCT(K)	Total Lumen	LM/W	Beam Angle	Dimensions in mm			kg
						A	B	C	
NR-TL101-10	10	3000/4000/6500	850	85	24°	63	124	187	0.40
NR-TL101-20	20	3000/4000/6500	1600	80	24°	85	146	202	0.62
NR-TL101-30	30	3000/4000/6500	2700	90	24°	95	177	230	0.92




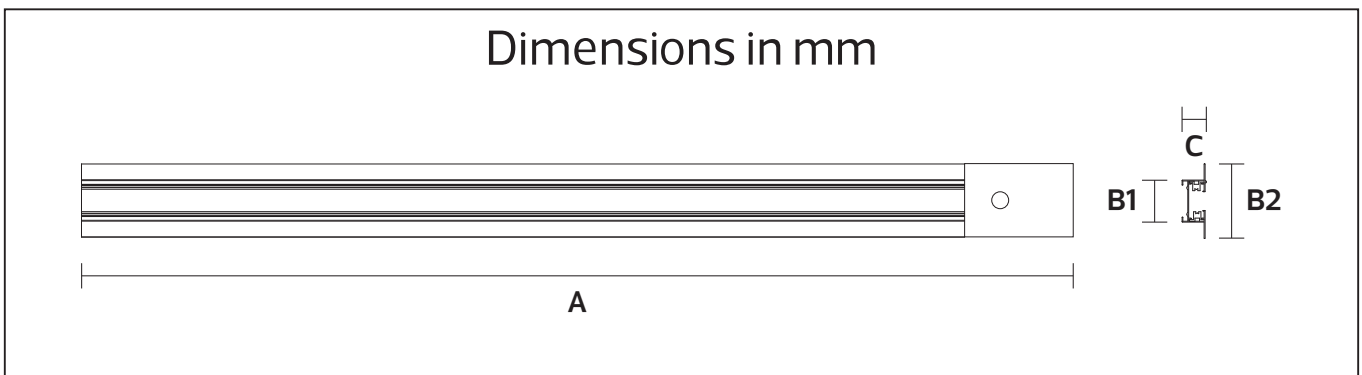
Surface Tracker

Item Code	Color	Installation Type	Dimensions in mm			
			A	B	C	
NR-TL110-1-M-WH	White	Surface	1000	34	20	0.41
NR-TL110-1-M-BK	Black	Surface	1000	34	20	0.41
NR-TL110-2-M-WH	White	Surface	2000	34	20	0.84
NR-TL110-2-M-BK	Black	Surface	2000	34	20	0.84
NR-TL110-7-M-WH	White	Surface	7000	34	20	3.10
NR-TL110-7-M-BK	Black	Surface	7000	34	20	3.10




Recessed Tracker

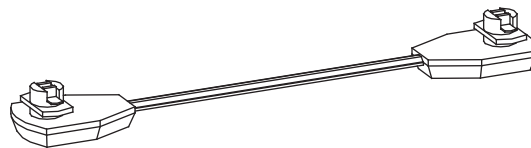
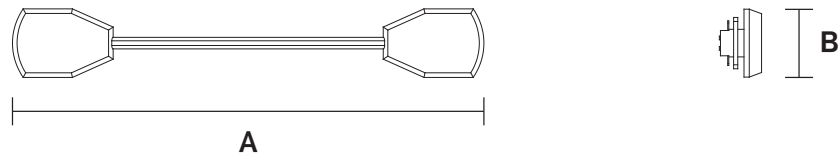
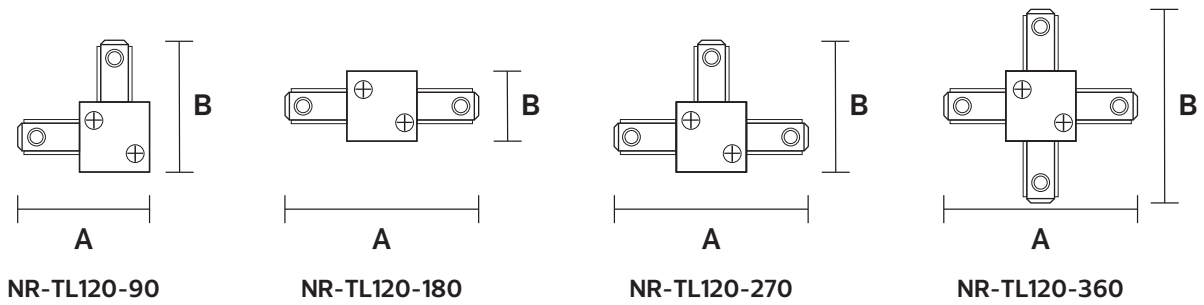
Item Code	Color	A	Dimensions in mm			
			B1	B2	C	
NR-CTL110-1-M-W	White	1000	33.5	60	20	0.44
NR-CTL110-1-M-BK	Black	1000	33.5	60	20	0.44
NR-CTL110-2-M-W	White	2000	33.5	60	20	0.88
NR-CTL110-2-M-BK	Black	2000	33.5	60	20	0.88



Surface Tracker Accessories


Item Code	Color	Dimensions in mm		 kg
		A	B	
NR-TL120-90-W	White	66	66	0.03
NR-TL120-90-BK	Black	66	66	0.03
NR-TL120-180-W	White	95	36	0.06
NR-TL120-180-BK	Black	95	36	0.06
NR-TL120-270-W	White	95	66	0.08
NR-TL120-270-BK	Black	95	66	0.08
NR-TL120-360-W	White	95	95	0.10
NR-TL120-360-BK	Black	95	95	0.10
NR-TL120-W	White	210	32	0.03
NR-TL120-BK	Black	210	32	0.03

Dimensions in mm

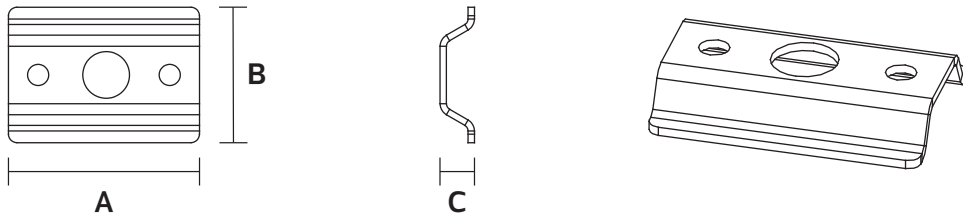


NR-TL120-W/NR-TL120-BK

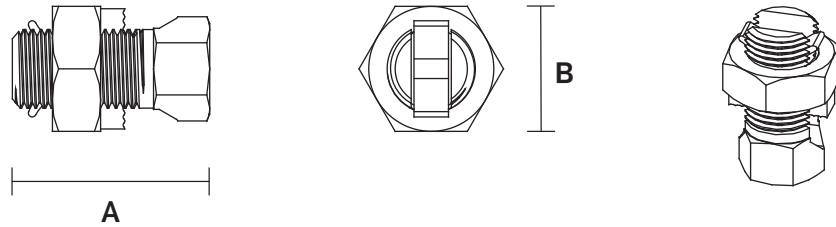
Surface Tracker Accessories

Item Code	Color	Dimensions in mm			
		A	B	C	
NR-TL120-ACS-WH	White	45	31.8	9	0.02
NR-TL120-ACS-BK	Black	45	31.8	9	0.02
NR-TL120-ACS	Copper	24.6	11.2	/	0.02

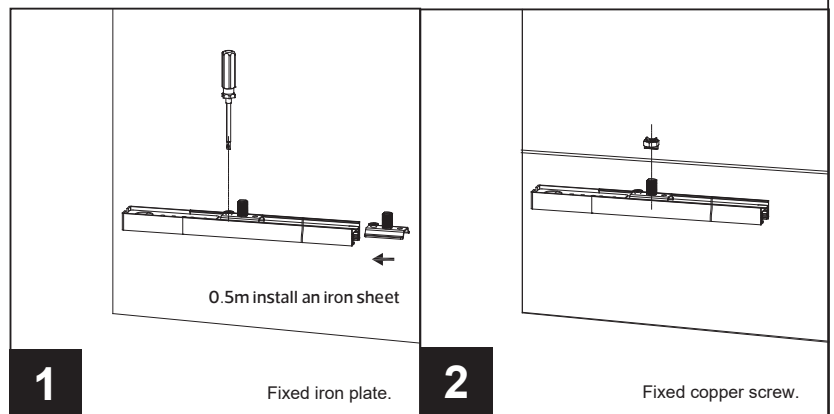
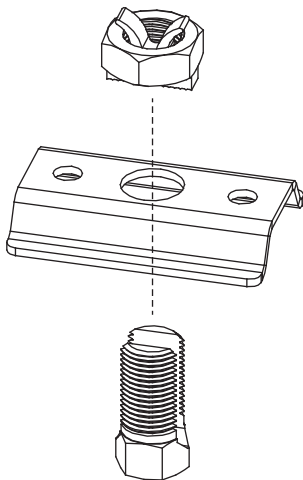
Dimensions in mm




NR-TL120-ACS-WH/NR-TL120-ACS-BK



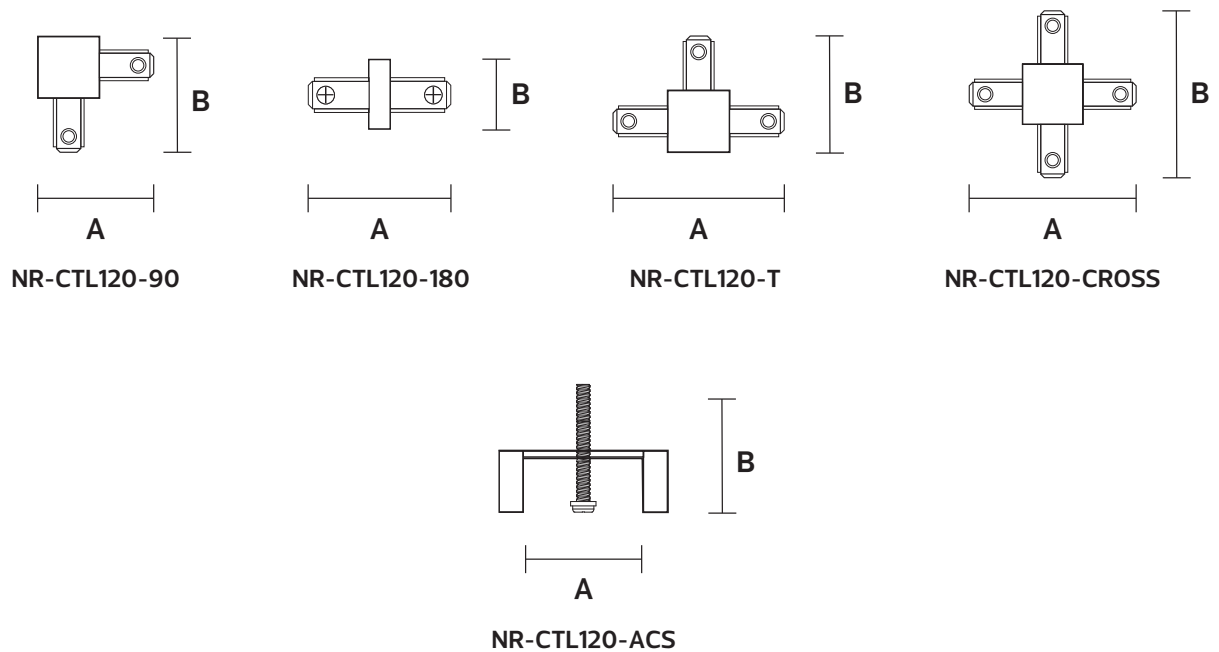
NR-TL120-ACS



Recessed Tracker Accessories

Item Code	Color	Dimensions in mm		 kg
		A	B	
NR-CTL120-90-W	White	66	66	0.03
NR-CTL120-90-BK	Black	66	66	0.03
NR-CTL120-180-W	White	95	36	0.06
NR-CTL120-180-BK	Black	95	36	0.06
NR-CTL120-T-W	White	95	66	0.08
NR-CTL120-T-BK	Black	95	66	0.08
NR-CTL120-CROSS-W	White	95	95	0.10
NR-CTL120-CROSS-BK	Black	95	95	0.10
NR-CTL120-ACS	Black	95	66	0.10

Dimensions in mm

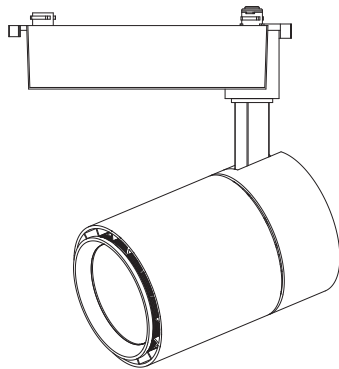




High lumen optical lens



Multi - direction adjustable Angle

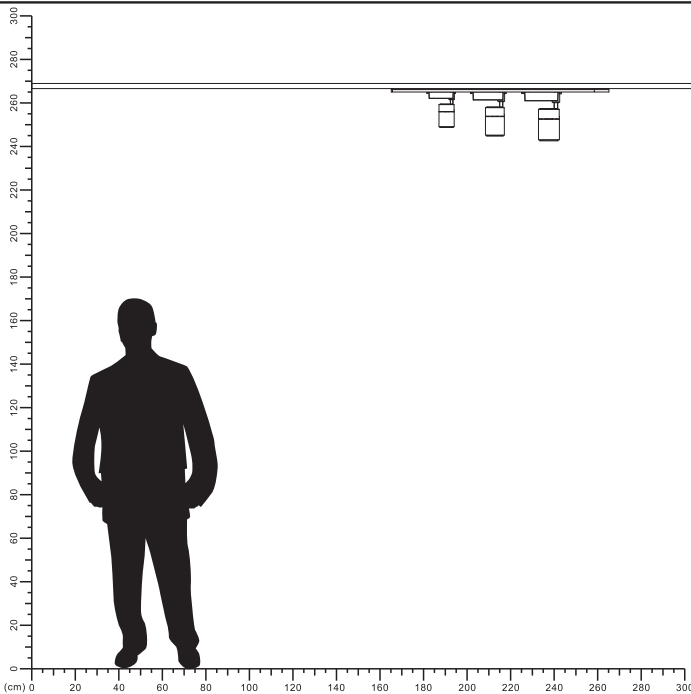


Description:
LED Track Light

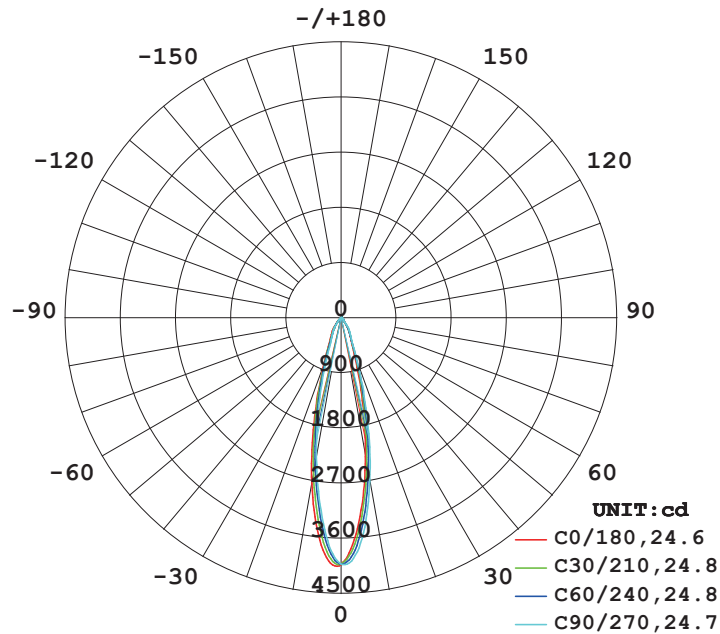
Main material:
Engineering plastic high quality aluminum.

Specification:
Energy saving, up to 85% energy saving comparing to standard halogen and in candescent lamps Long life, up to 30,000 hours High quality light, High color rendering, less heat, no UV or IR radiation Build-in LED driver.

Applications
.Shopping mall
.Office buildings
.Exhibition hall
.Public lighting places

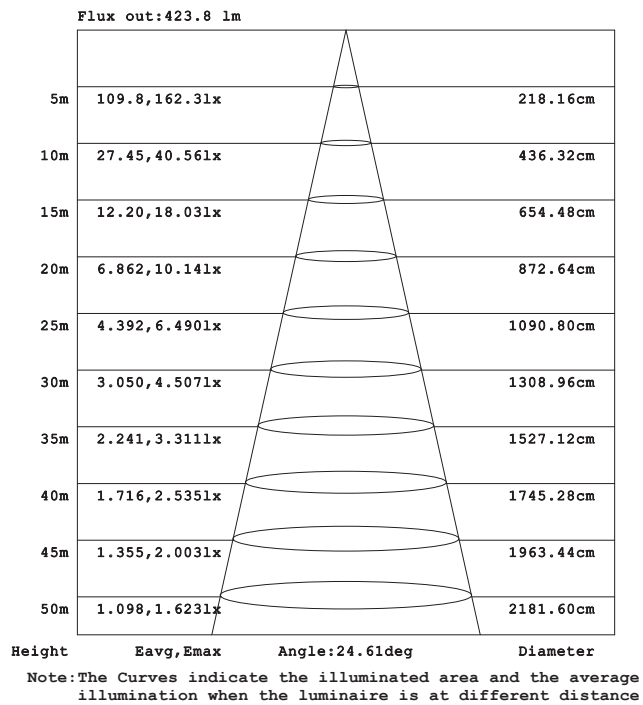


LUMINOUS INTENSITY DISTRIBUTION DIAGRAM



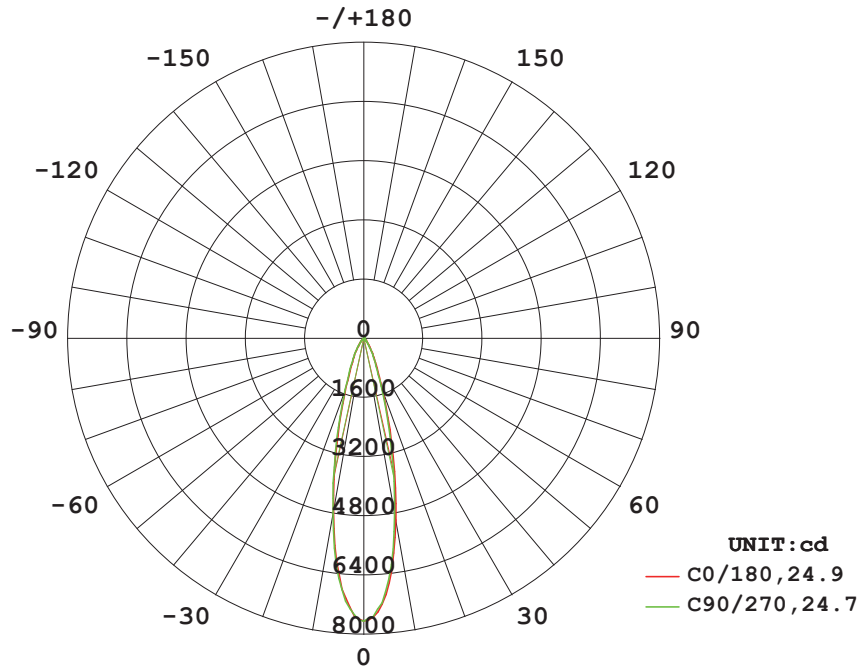
AVERAGE BEAM ANGLE (50%) : 24.7 DEG

Illuminance at a Distance



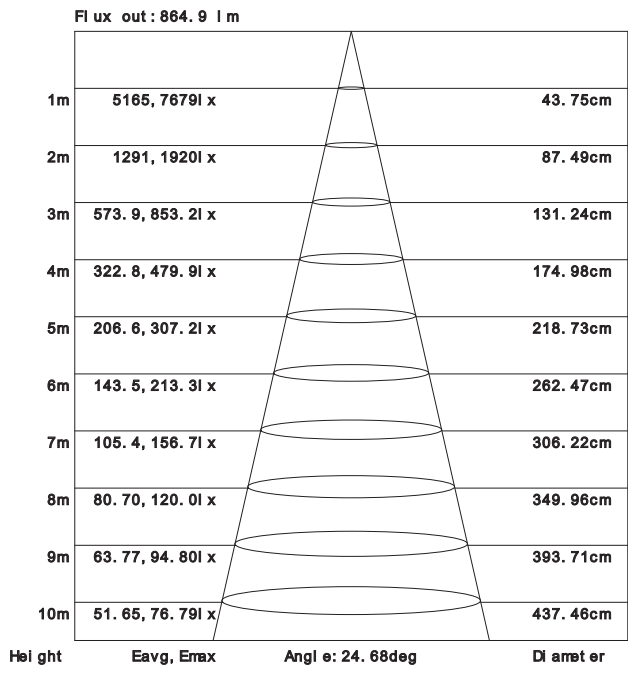
Model: NR-TL101-10

LUMINOUS INTENSITY DISTRIBUTION DIAGRAM



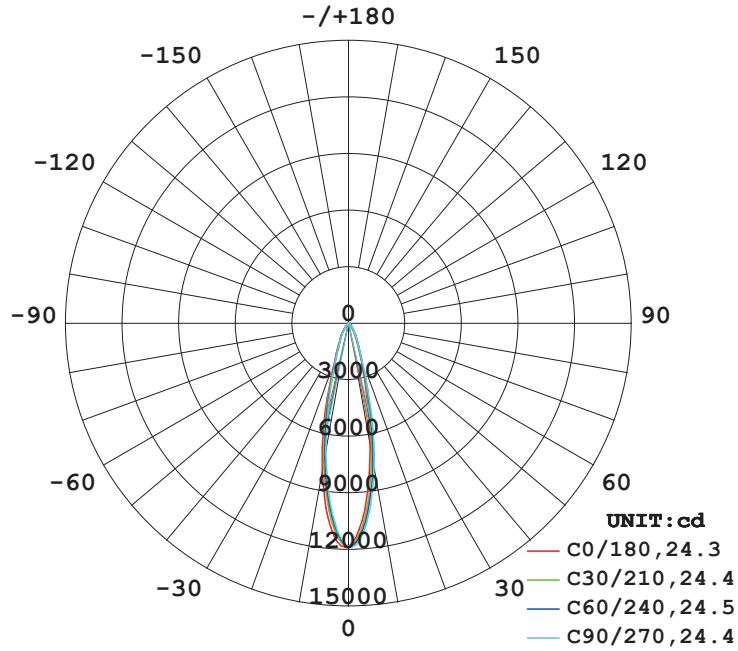
AVERAGE BEAM ANGLE (50%) : 24.8 DEG

Illuminance at a Distance



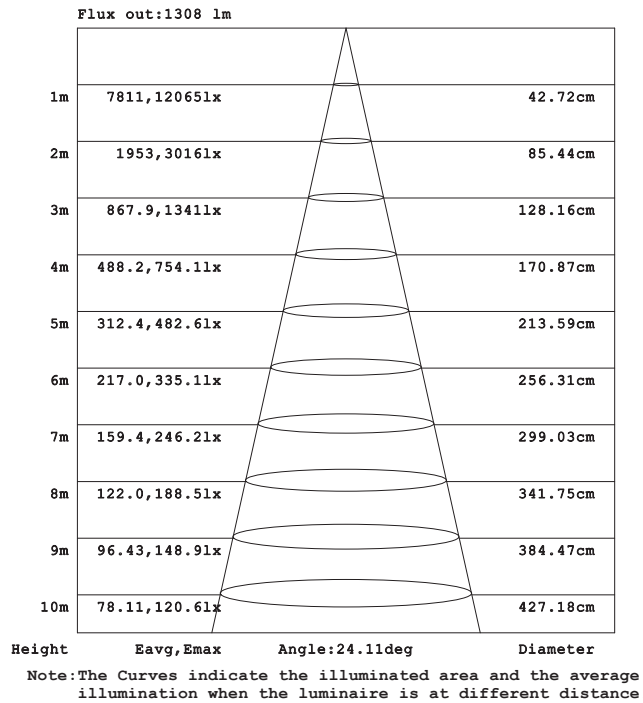
Model:NR-TL101-20

LUMINOUS INTENSITY DISTRIBUTION DIAGRAM



AVERAGE BEAM ANGLE (50%) : 24.4 DEG

Illuminance at a Distance



Model:NR-TL101-30

