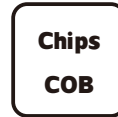
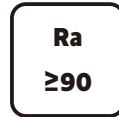


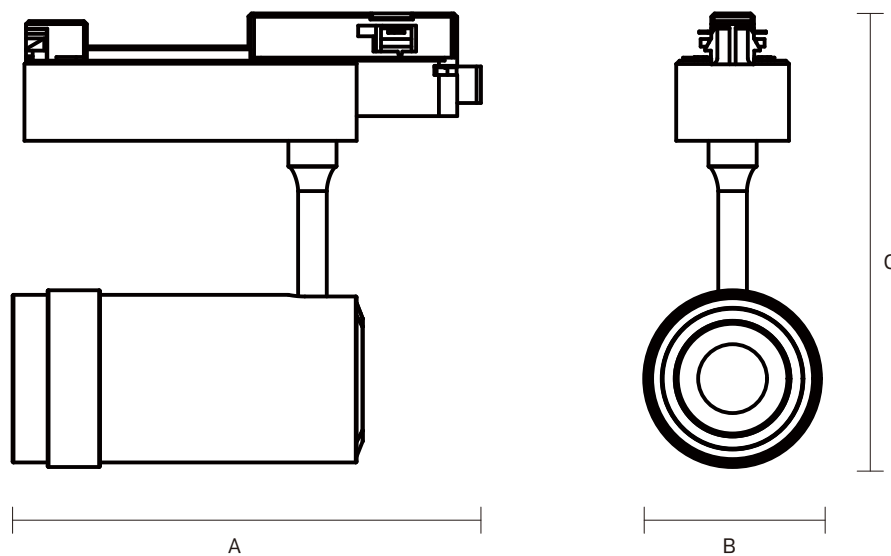
## LED Track Light

NR-TL104-10W  
IP20




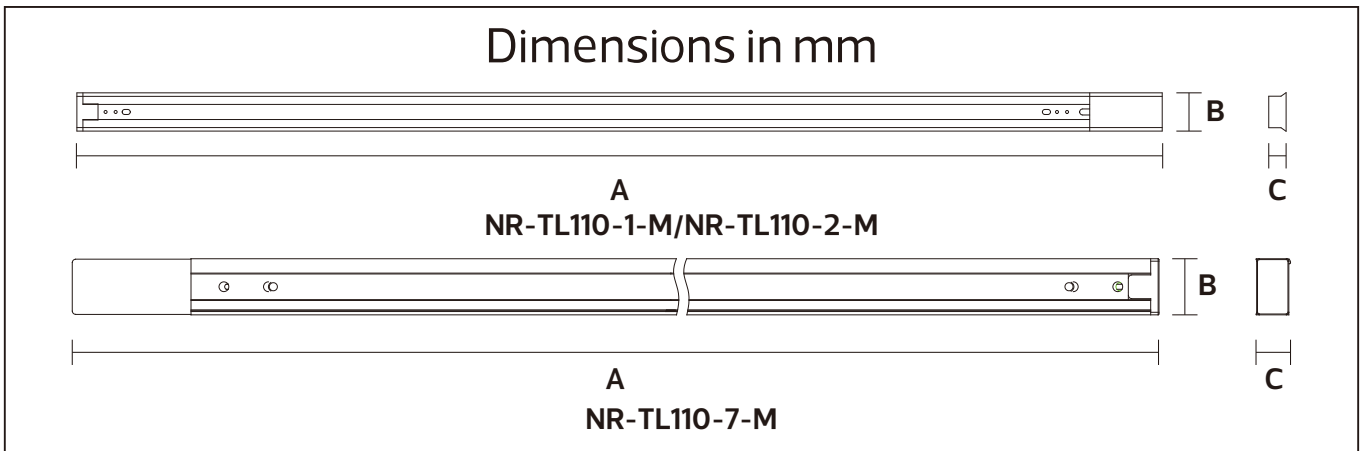
Item Code	P(W)	Total Lumen	LM/W	Beam Angle	Dimensions in mm			kg
					A	B	C	
NR-TL104-10W	10	850	85	15°-50°	150	Φ100	186	0.50

### Dimensions in mm




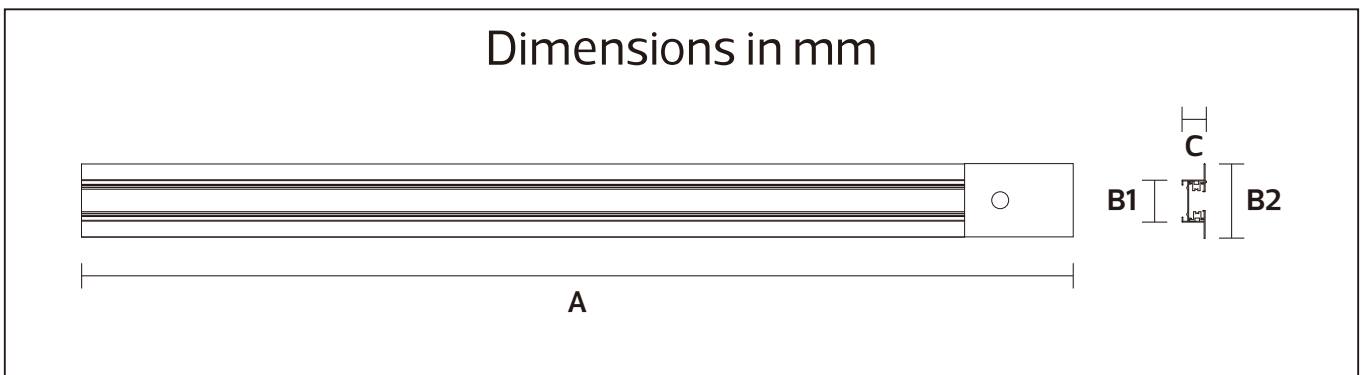
**Surface Tracker**

Item Code	Color	Installation Type	Dimensions in mm			
			A	B	C	
NR-TL110-1-M-WH	White	Surface	1000	34	20	0.41
NR-TL110-1-M-BK	Black	Surface	1000	34	20	0.41
NR-TL110-2-M-WH	White	Surface	2000	34	20	0.84
NR-TL110-2-M-BK	Black	Surface	2000	34	20	0.84
NR-TL110-7-M-WH	White	Surface	7000	34	20	3.10
NR-TL110-7-M-BK	Black	Surface	7000	34	20	3.10




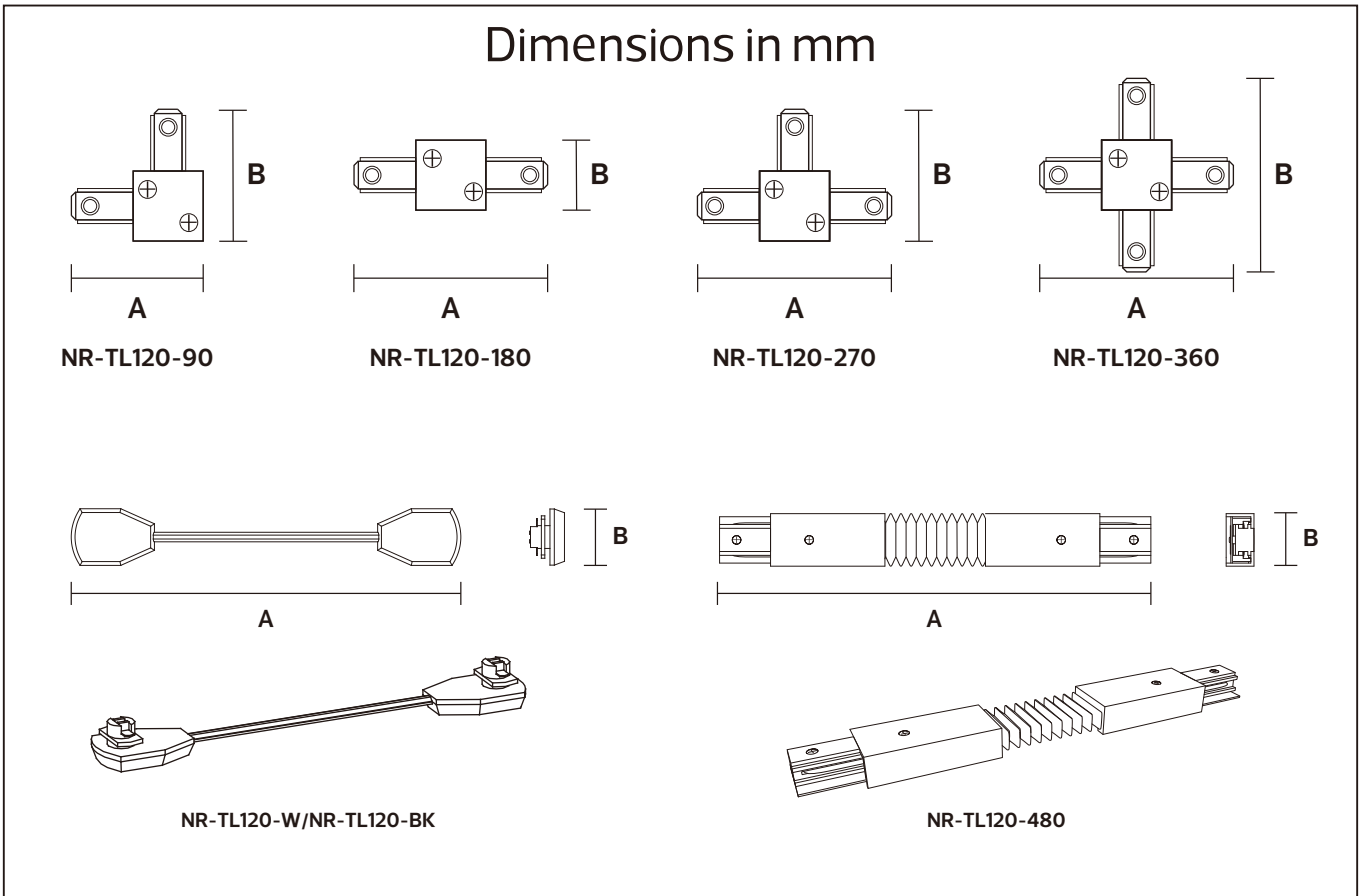
**Recessed Tracker**

Item Code	Color	A	Dimensions in mm			
			B1	B2	C	
NR-CTL110-1-M-W	White	1000	33.5	60	20	0.44
NR-CTL110-1-M-BK	Black	1000	33.5	60	20	0.44
NR-CTL110-2-M-W	White	2000	33.5	60	20	0.88
NR-CTL110-2-M-BK	Black	2000	33.5	60	20	0.88




**Surface Tracker Accessories**

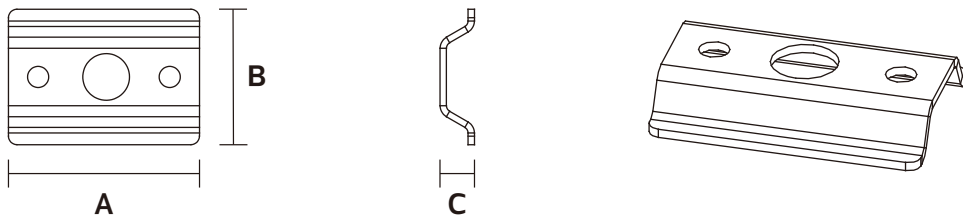
Item Code	Color	Dimensions in mm		 kg
		A	B	
NR-TL120-90-W	White	66	66	0.03
NR-TL120-90-BK	Black	66	66	0.03
NR-TL120-180-W	White	95	36	0.06
NR-TL120-180-BK	Black	95	36	0.06
NR-TL120-270-W	White	95	66	0.08
NR-TL120-270-BK	Black	95	66	0.08
NR-TL120-360-W	White	95	95	0.10
NR-TL120-360-BK	Black	95	95	0.10
NR-TL120-W	White	210	32	0.03
NR-TL120-BK	Black	210	32	0.03
NR-TL120-480	Black	280	34	0.11



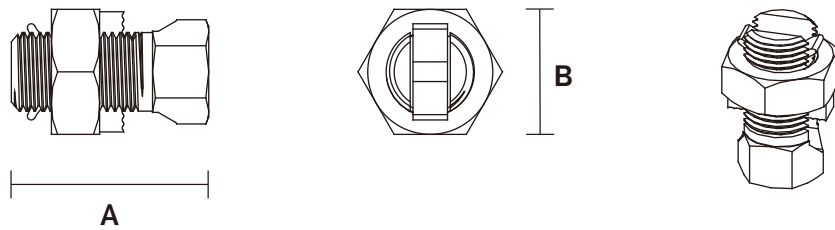
**Surface Tracker Accessories**

Item Code	Color	Dimensions in mm			
		A	B	C	
NR-TL120-ACS-WH	White	45	31.8	9	0.02
NR-TL120-ACS-BK	Black	45	31.8	9	0.02
NR-TL120-ACS	Copper	24.6	11.2	/	0.02

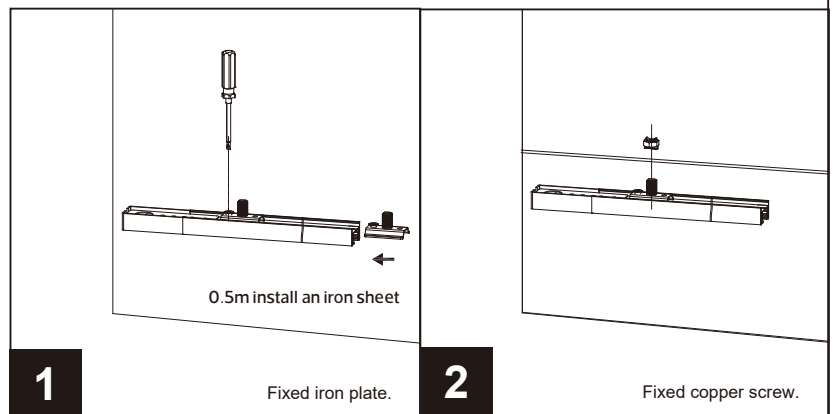
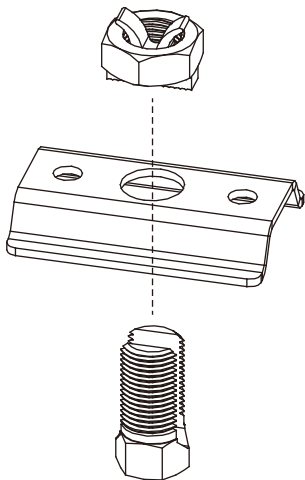
**Dimensions in mm**




**NR-TL120-ACS-WH/NR-TL120-ACS-BK**



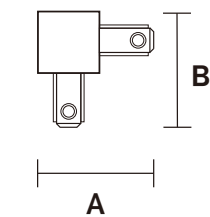
**NR-TL120-ACS**



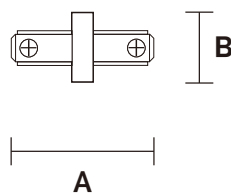
**Recessed Tracker Accessories**

Item Code	Color	Dimensions in mm		 kg
		A	B	
NR-CTL120-90-W	White	66	66	0.03
NR-CTL120-90-BK	Black	66	66	0.03
NR-CTL120-180-W	White	95	36	0.06
NR-CTL120-180-BK	Black	95	36	0.06
NR-CTL120-T-W	White	95	66	0.08
NR-CTL120-T-BK	Black	95	66	0.08
NR-CTL120-CROSS-W	White	95	95	0.10
NR-CTL120-CROSS-BK	Black	95	95	0.10
NR-CTL120-ACS	Black	95	66	0.10

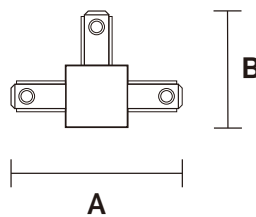
**Dimensions in mm**



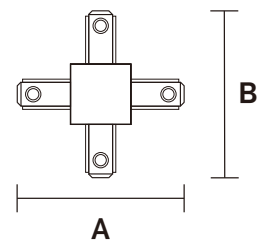
**NR-CTL120-90**



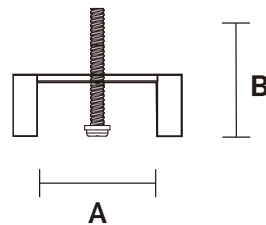
**NR-CTL120-180**



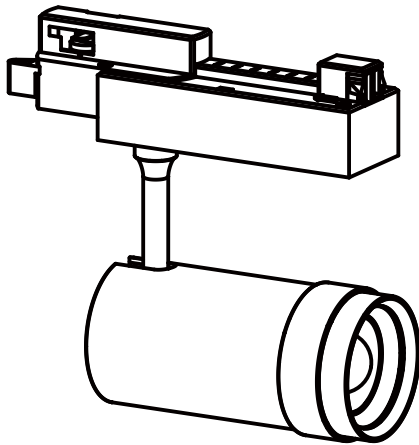
**NR-CTL120-T**



**NR-CTL120-CROSS**



**NR-CTL120-ACS**

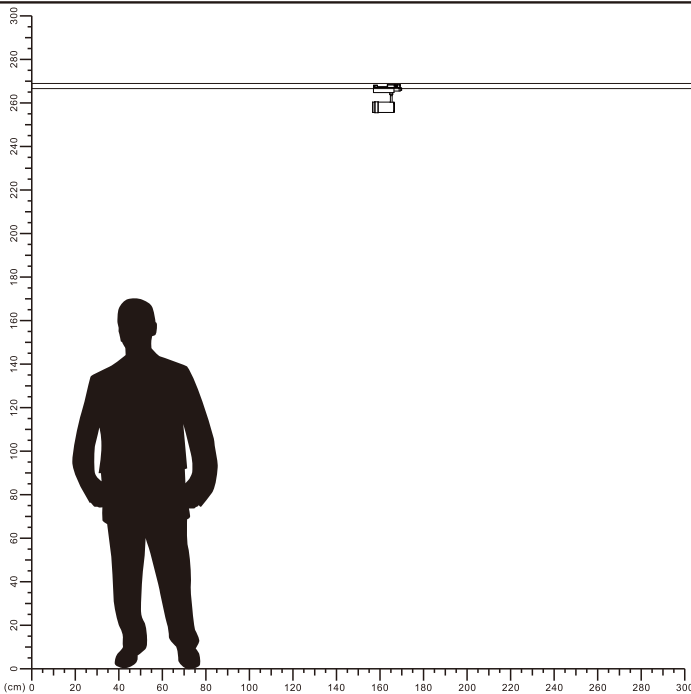


**Description:**  
LED Track Light

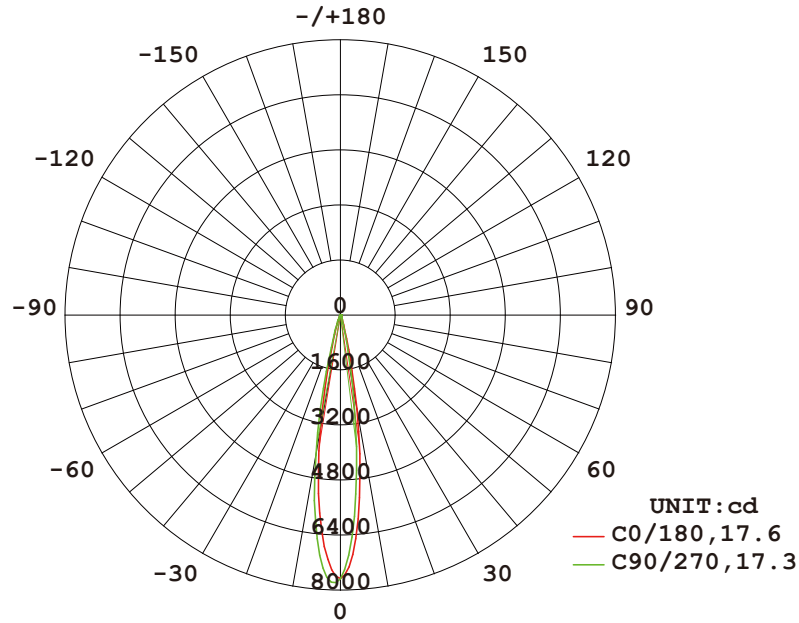
**Main material:**  
Engineering plastic high quality aluminum.

**Specification:**  
Energy saving, up to 85% energy saving comparing to standard halogen and in candescent lamps Long life, up to 30,000 hours High quality light, High color rendering, less heat, no UV or IR radiation Build-in LED driver.

**Applications**  
.Shopping mall  
.Office buildings  
.Exhibition hall  
.Public lighting places

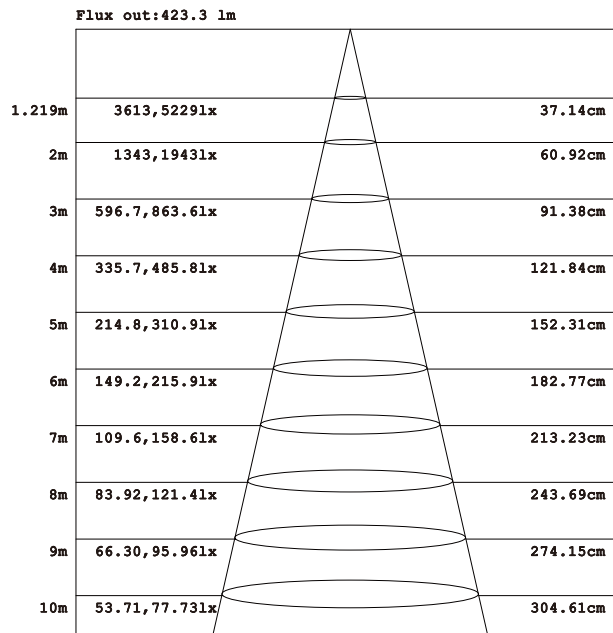


# LUMINOUS INTENSITY DISTRIBUTION DIAGRAM



AVERAGE BEAM ANGLE (50%) : 17.5 DEG

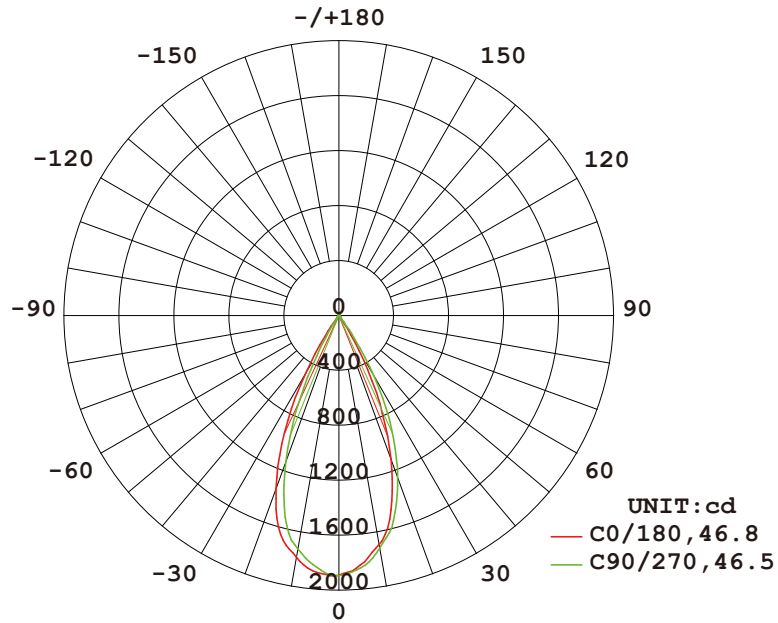
## Illuminance at a Distance



Height      Eavg, Emax      Angle: 17.32deg      Diameter  
 Note: The Curves indicate the illuminated area and the average illumination when the luminaire is at different distance.

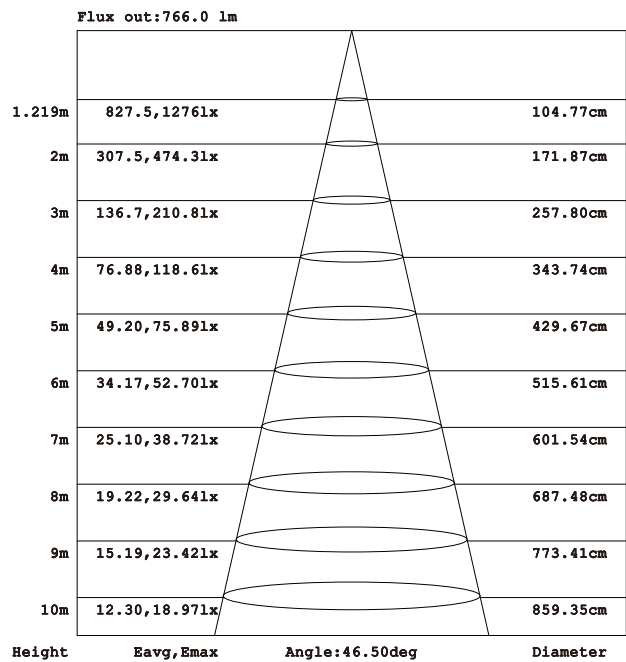
Model: NR-TL-CLB60-10 15°

# LUMINOUS INTENSITY DISTRIBUTION DIAGRAM



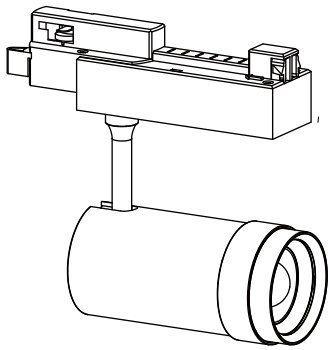
AVERAGE BEAM ANGLE (50%) : 46.7 DEG

## Illuminance at a Distance



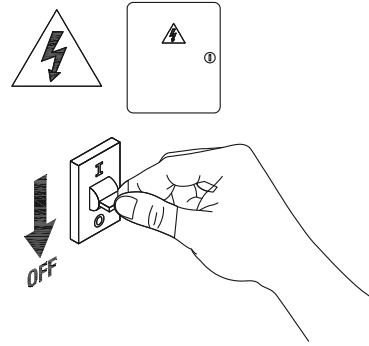
Model: NR-TL-CLB60-10 50°





**1**

Turn off The Power



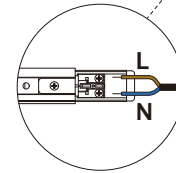
**2**

fix the track on your ceiling



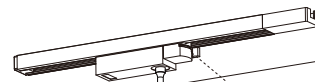
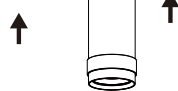
**3**

Connect the cable



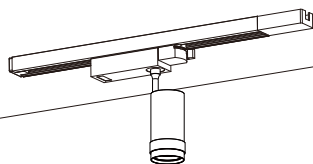
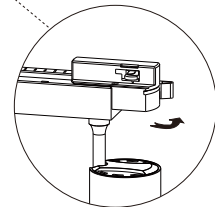
**4**

Put the lamp body into the track



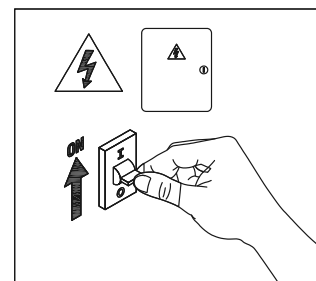
**5**

Push the button to power on



**6**

installaion is complete



**7**

Turn on the power

