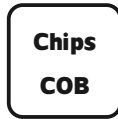
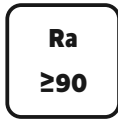


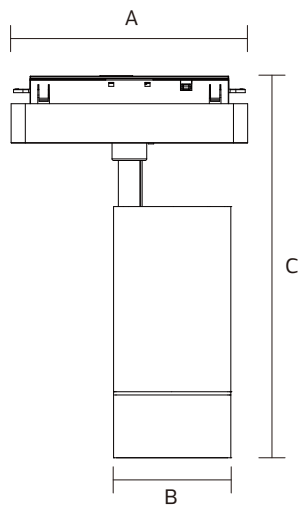
LED Magnetic Track System

NR-TL105 Series
IP20

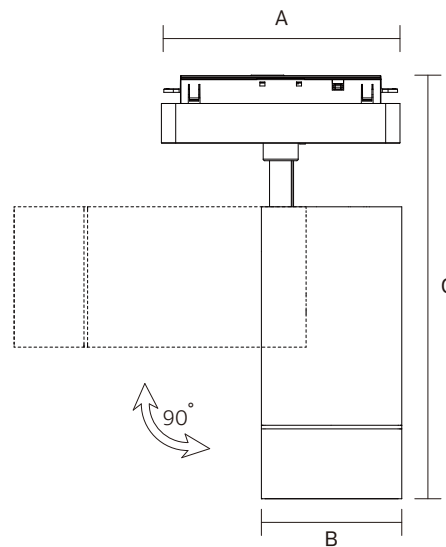


Item Code	P(W)	Using Track	Total Lumen	Beam Angle	Dimensions in mm			kg
					A	B	C	
NR-TL105-10	10	NR-S20/NR-S35	710	20°/36°	150	Ø56	212	0.3
NR-TL105-15	15	NR-S20/NR-S35	1155	36°	150	Ø75	240	0.45

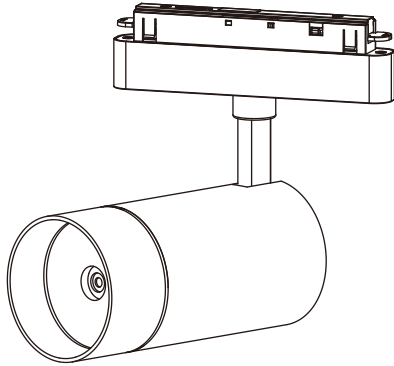
Dimensions in mm



NR-TL105-10



NR-TL105-15

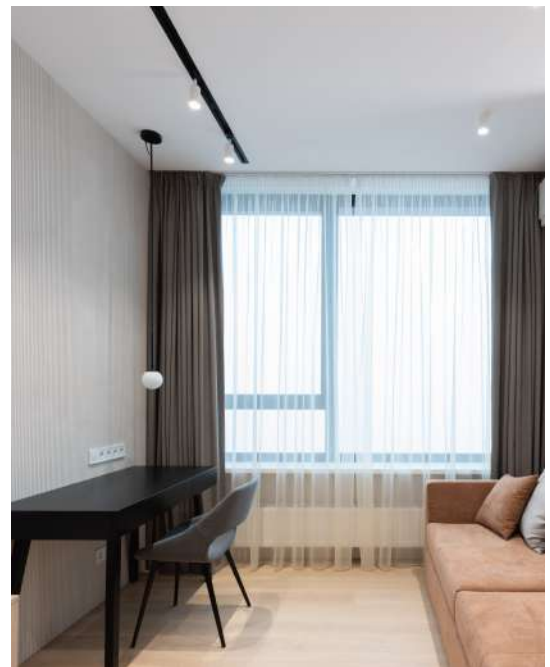
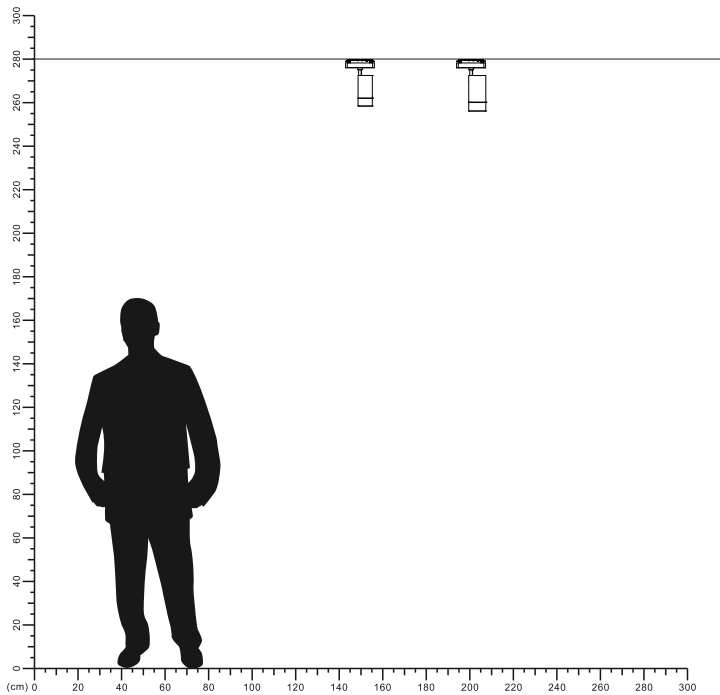


Description:
LED Magnetic Track System

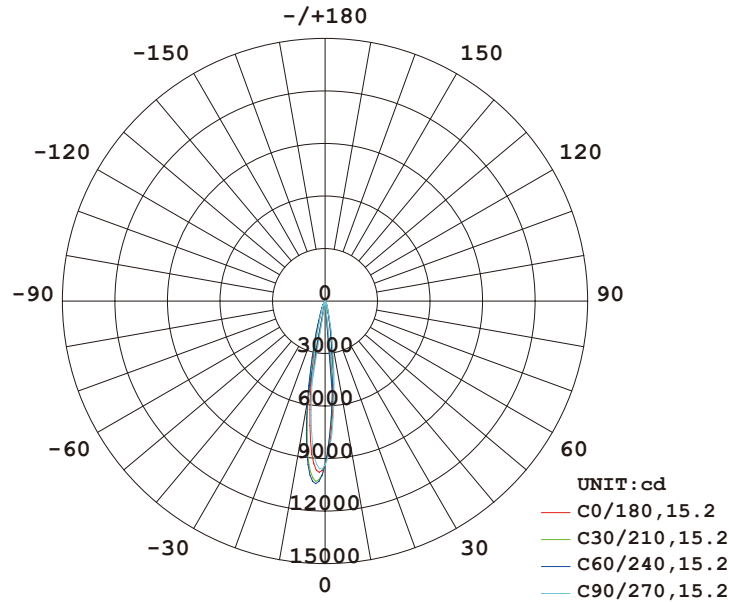
Main material:
Aluminum shell, Silica gel

Specification:
Energy saving, up to 85% energy saving comparing to standard halogen and incandescent lamps
High quality light, high color rendering, less heat, no UV or IR radiation
Build-in LED Driver

Applications
.Office
.Meeting room
.Sitting room



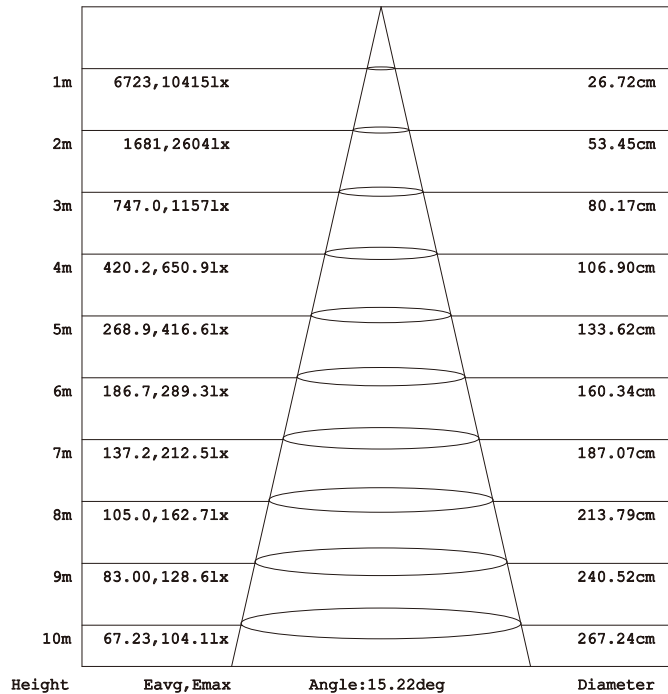
LUMINOUS INTENSITY DISTRIBUTION DIAGRAM



AVERAGE BEAM ANGLE (50%) : 15.2 DEG

Illuminance at a Distance

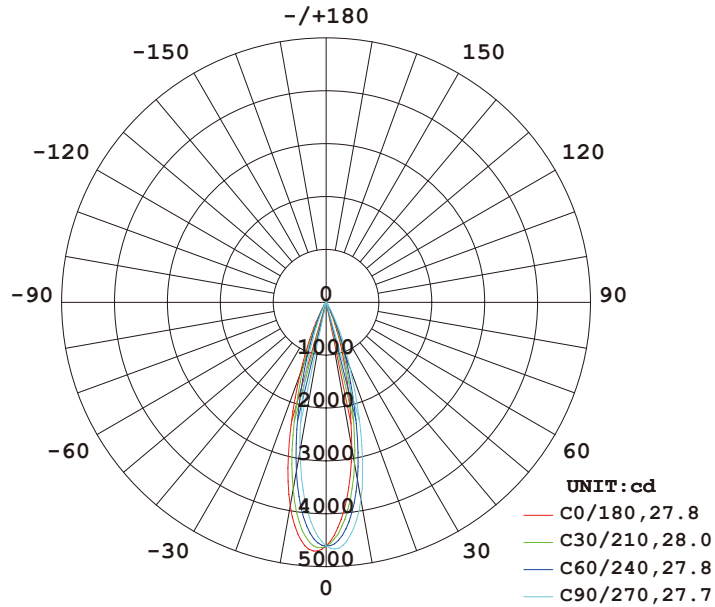
Flux out: 417.2 lm



Note: The Curves indicate the illuminated area and the average illumination when the luminaire is at different distance.

Model: NR-TL105-10-20°

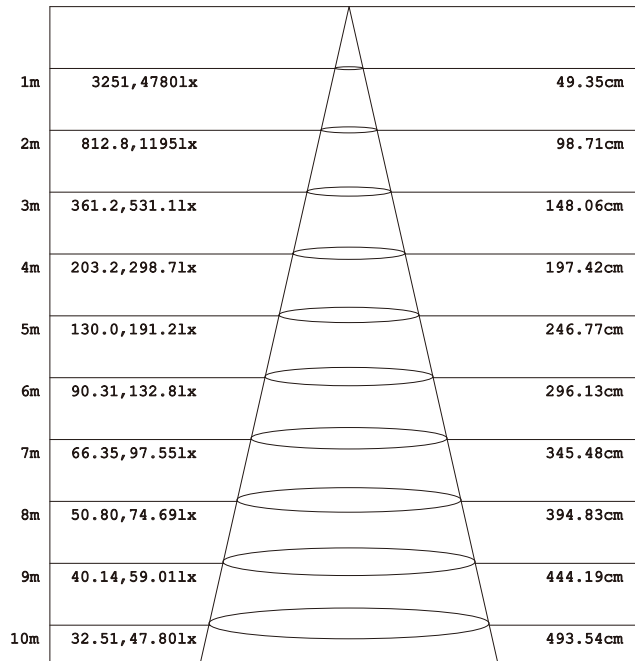
LUMINOUS INTENSITY DISTRIBUTION DIAGRAM



AVERAGE BEAM ANGLE (50%) : 27.9 DEG

Illuminance at a Distance

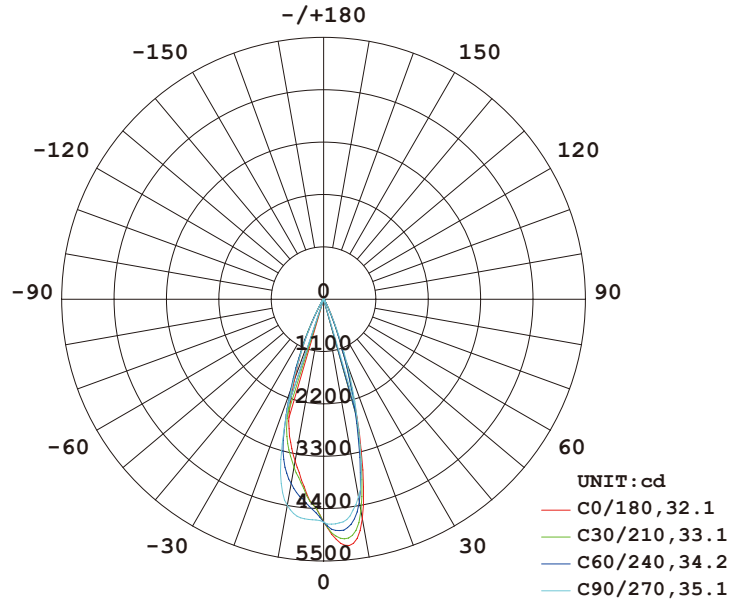
Flux out: 634.9 lm



Note: The Curves indicate the illuminated area and the average illumination when the luminaire is at different distance.

Model: NR-TL105-10-36°

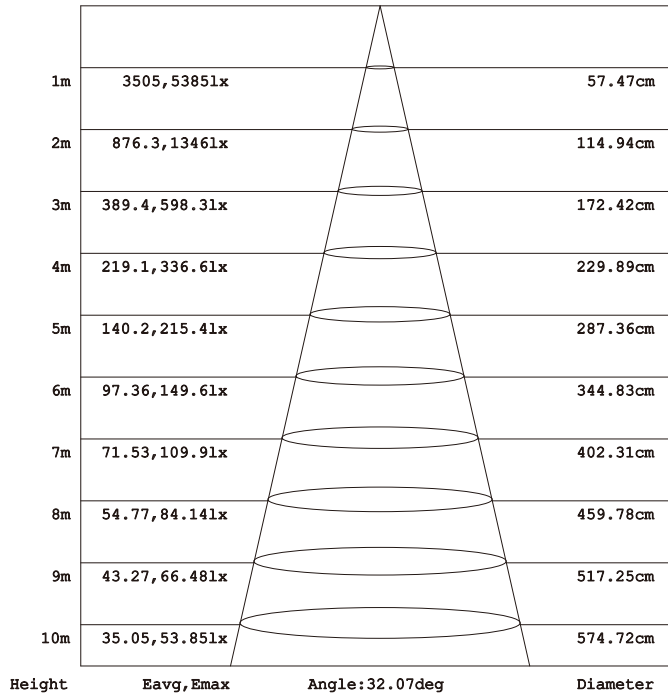
LUMINOUS INTENSITY DISTRIBUTION DIAGRAM



AVERAGE BEAM ANGLE (50%) : 33.6 DEG

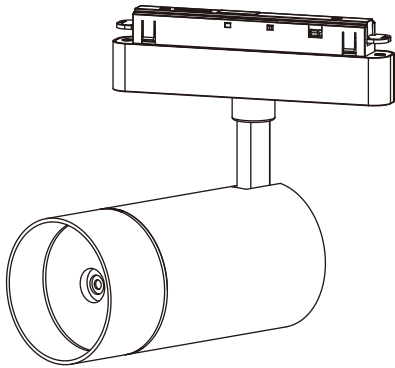
Illuminance at a Distance

Flux out: 1029 lm

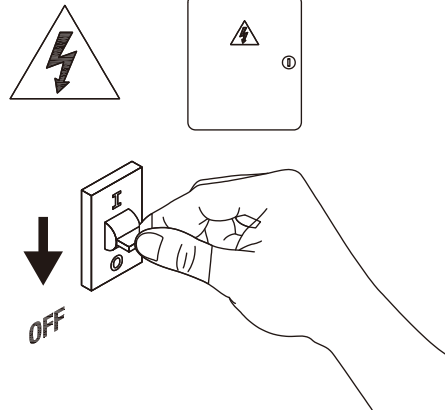


Note: The Curves indicate the illuminated area and the average illumination when the luminaire is at different distance.

Model: NR-TL105-15-36°

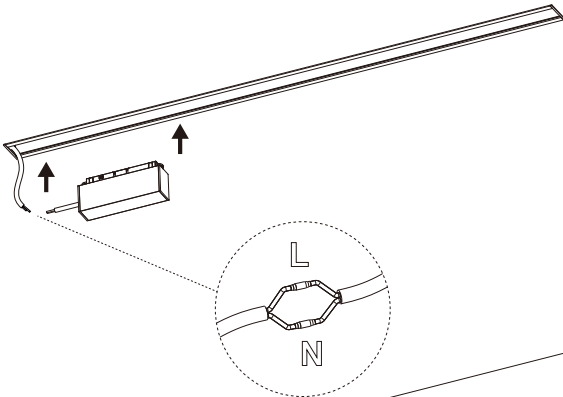


1



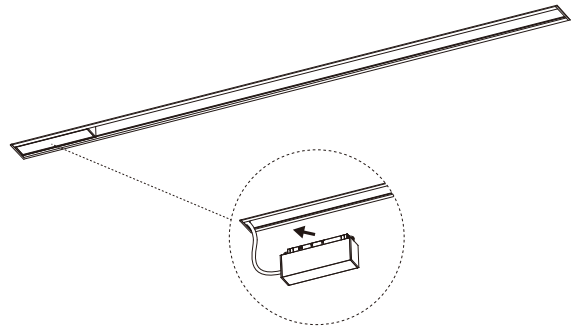
2

Turn off the power



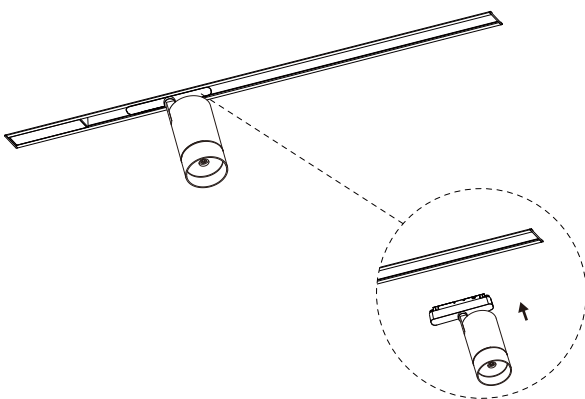
3

connect the cable



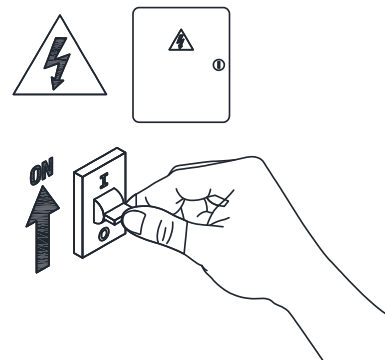
4

Install DC48V power supply



5

Install lamp the Installation is complete



6

Turn on power

