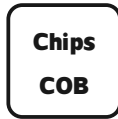
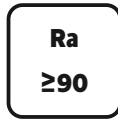


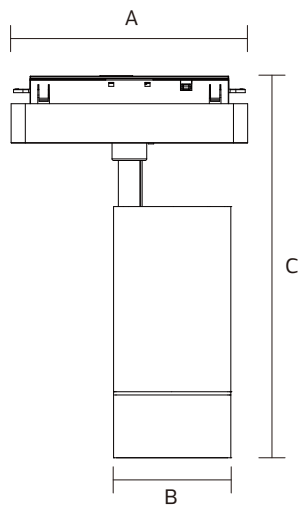
## LED Magnetic Track System

NR-TL105 Series  
IP20

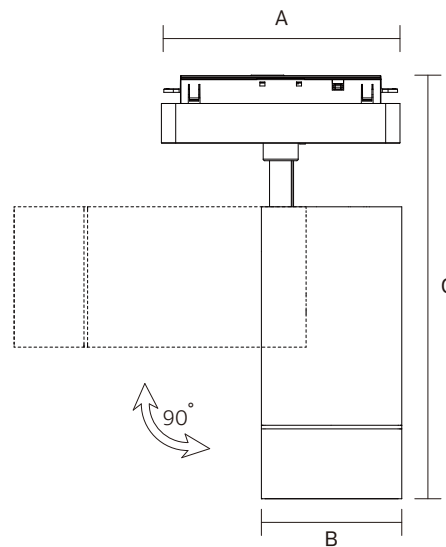


Item Code	P(W)	Using Track	Total Lumen	Beam Angle	Dimensions in mm			kg
					A	B	C	
NR-TL105-10	10	NR-S20/NR-S35	710	20°/36°	150	Ø56	212	0.3
NR-TL105-15	15	NR-S20/NR-S35	1155	36°	150	Ø75	240	0.45

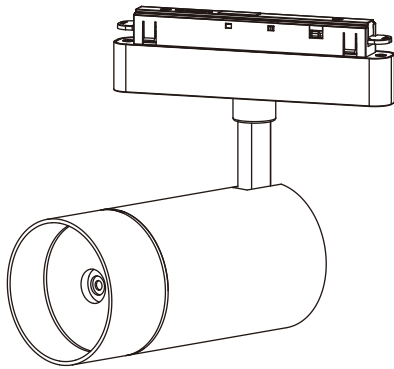
### Dimensions in mm



NR-TL105-10



NR-TL105-15

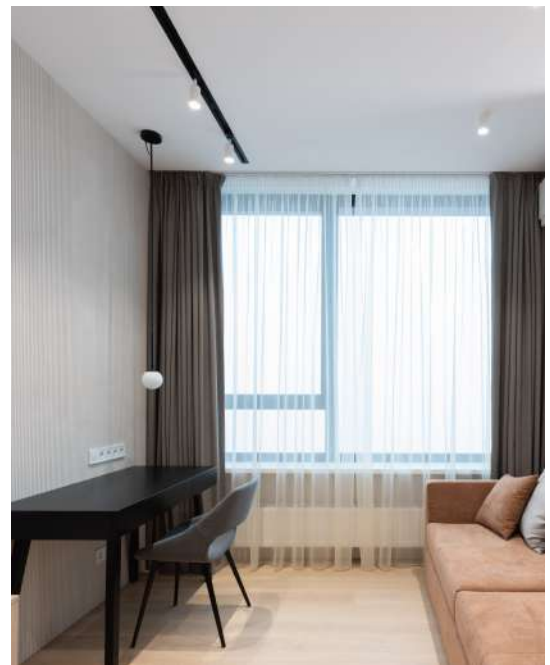
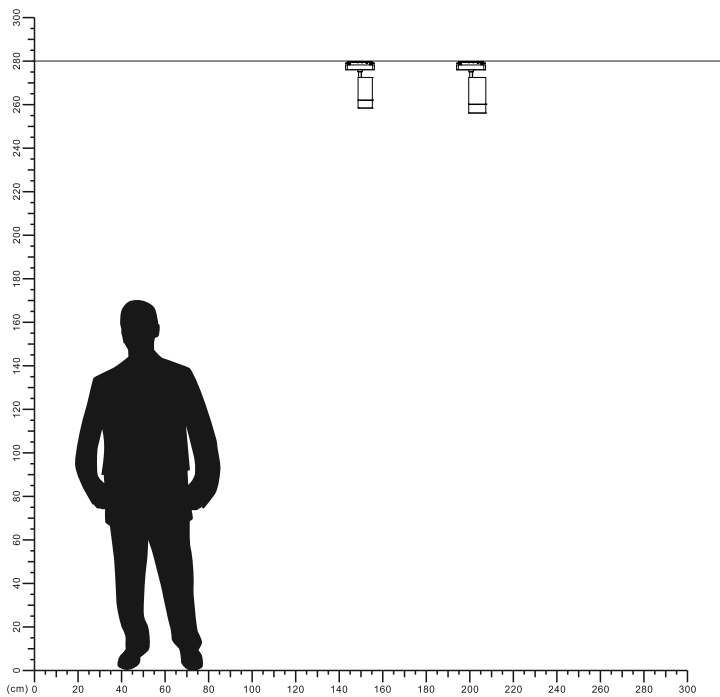


**Description:**  
LED Magnetic Track System

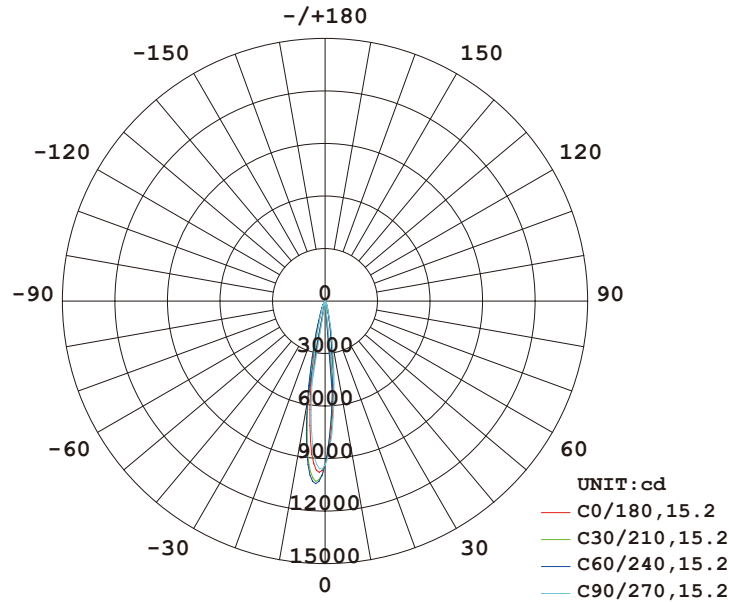
**Main material:**  
Aluminum shell, Silica gel

**Specification:**  
Energy saving, up to 85% energy saving comparing to standard halogen and incandescent lamps  
High quality light, high color rendering, less heat, no UV or IR radiation  
Build-in LED Driver

**Applications**  
.Office  
.Meeting room  
.Sitting room



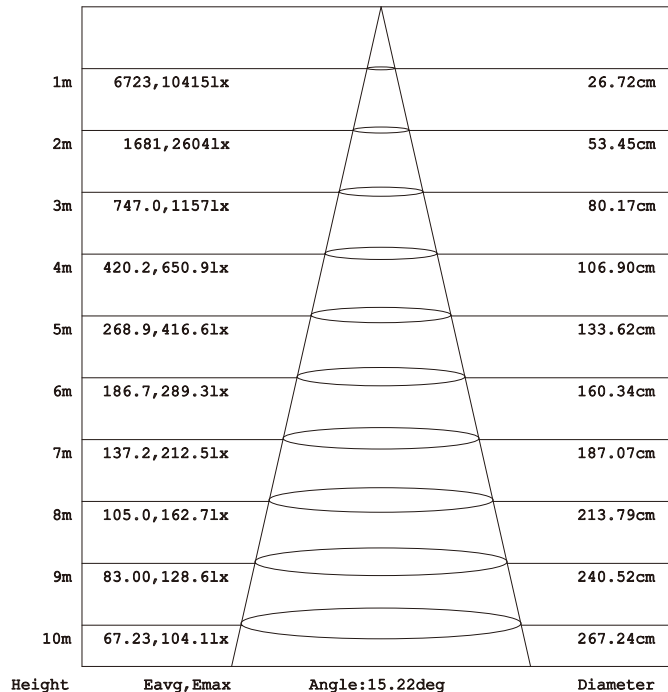
# LUMINOUS INTENSITY DISTRIBUTION DIAGRAM



**AVERAGE BEAM ANGLE (50%) : 15.2 DEG**

## Illuminance at a Distance

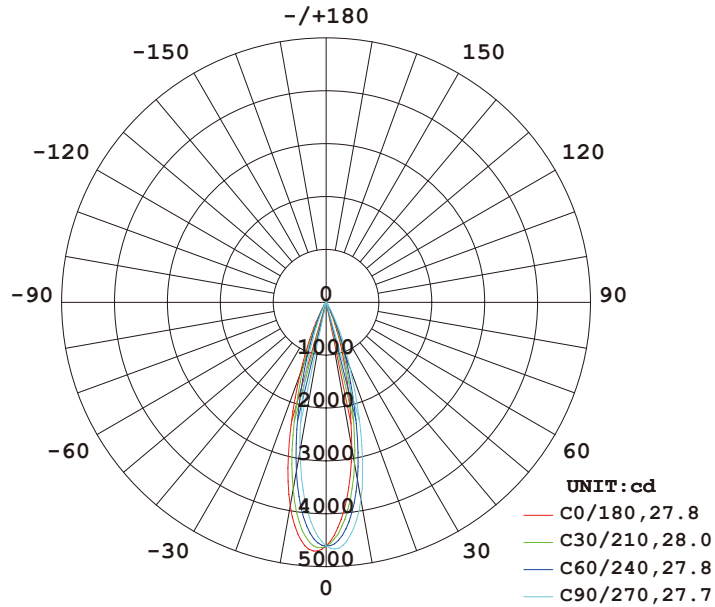
Flux out: 417.2 lm



Note: The Curves indicate the illuminated area and the average illumination when the luminaire is at different distance.

**Model: NR-TL105-10-20°**

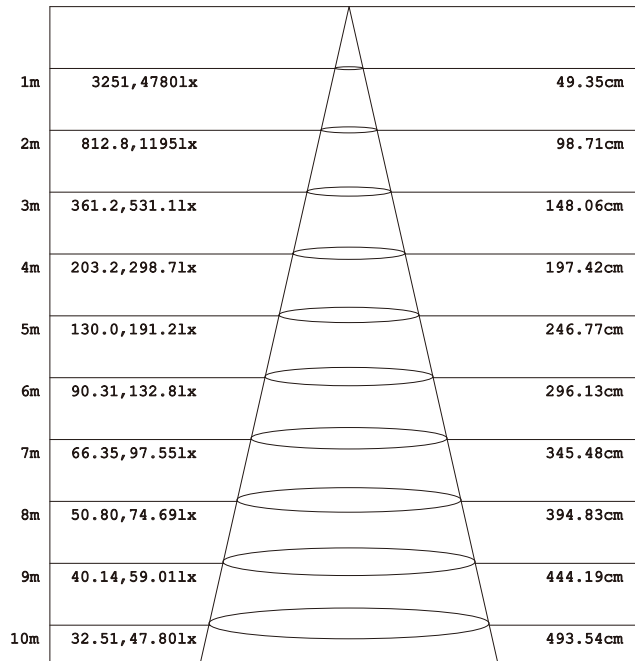
# LUMINOUS INTENSITY DISTRIBUTION DIAGRAM



**AVERAGE BEAM ANGLE (50%) : 27.9 DEG**

## Illuminance at a Distance

Flux out: 634.9 lm

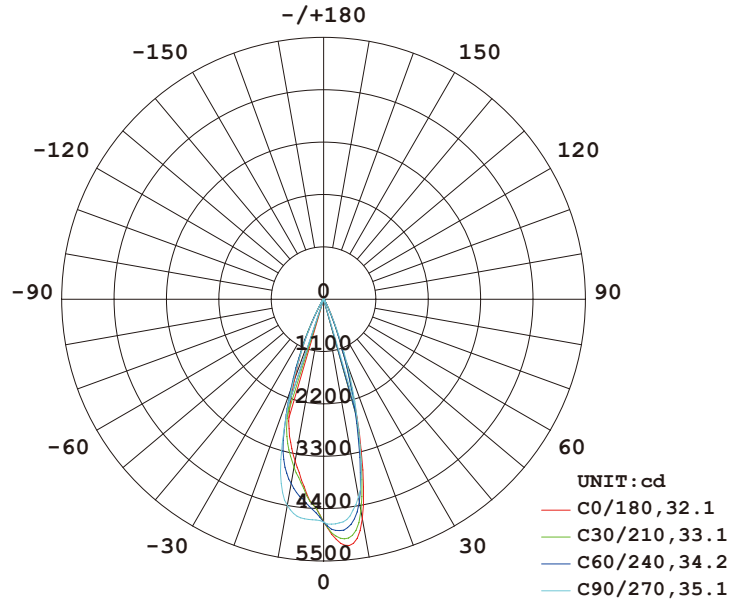


Height      Eavg, Emax      Angle: 27.72deg      Diameter

Note: The Curves indicate the illuminated area and the average illumination when the luminaire is at different distance.

**Model: NR-TL105-10-36°**

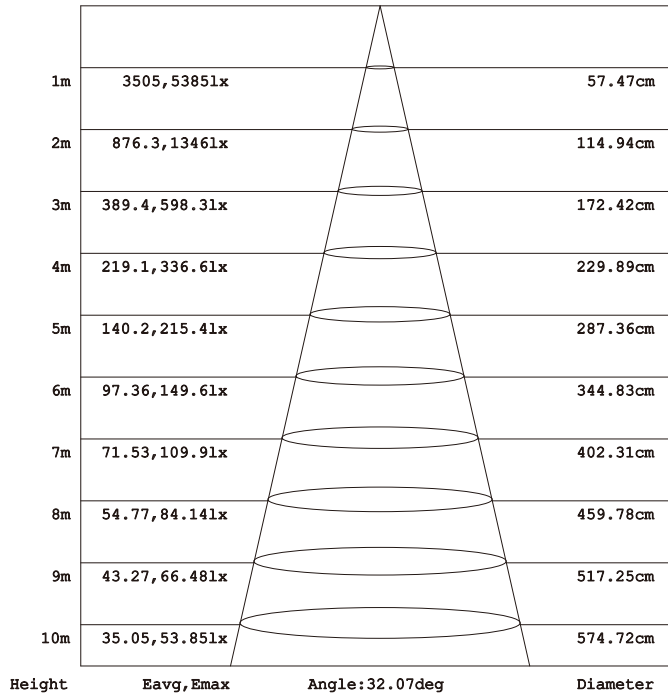
# LUMINOUS INTENSITY DISTRIBUTION DIAGRAM



**AVERAGE BEAM ANGLE (50%) : 33.6 DEG**

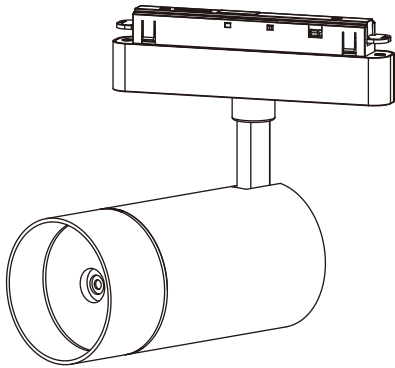
## Illuminance at a Distance

Flux out: 1029 lm

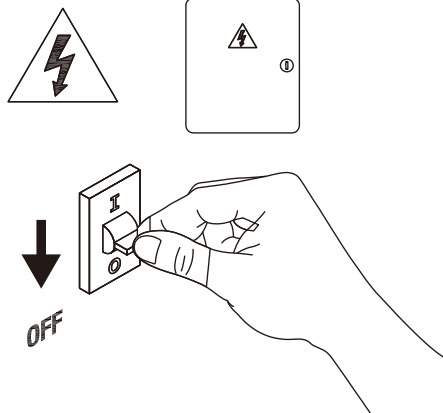


Note: The Curves indicate the illuminated area and the average illumination when the luminaire is at different distance.

**Model: NR-TL105-15-36°**

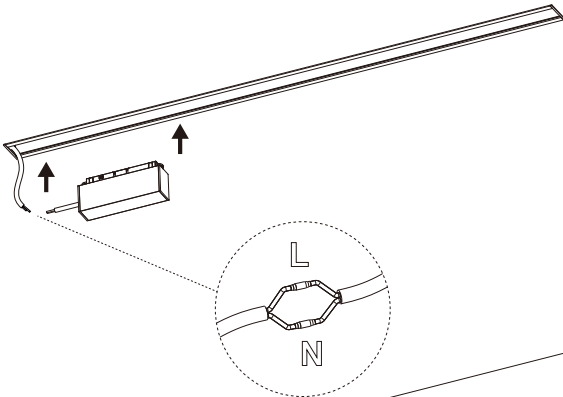


1



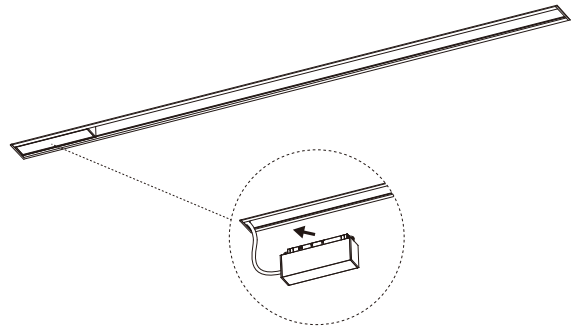
2

Turn off the power



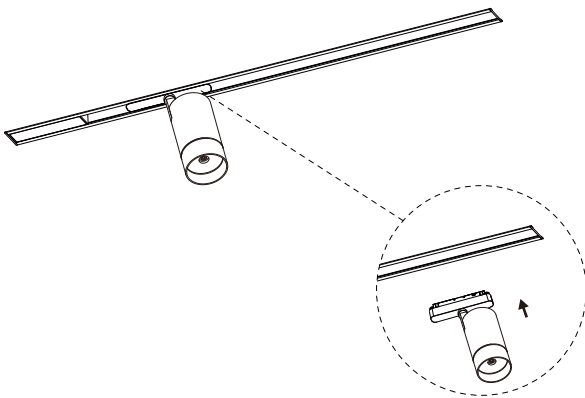
3

connect the cable



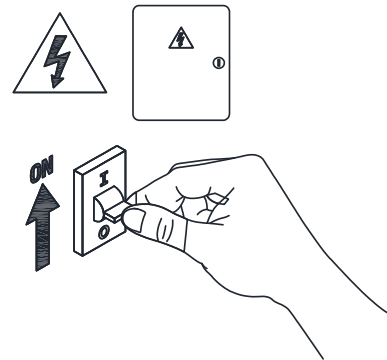
4

Install DC48V power supply



5

Install lamp the Installation is complete



6

Turn on power

