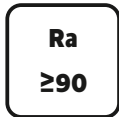


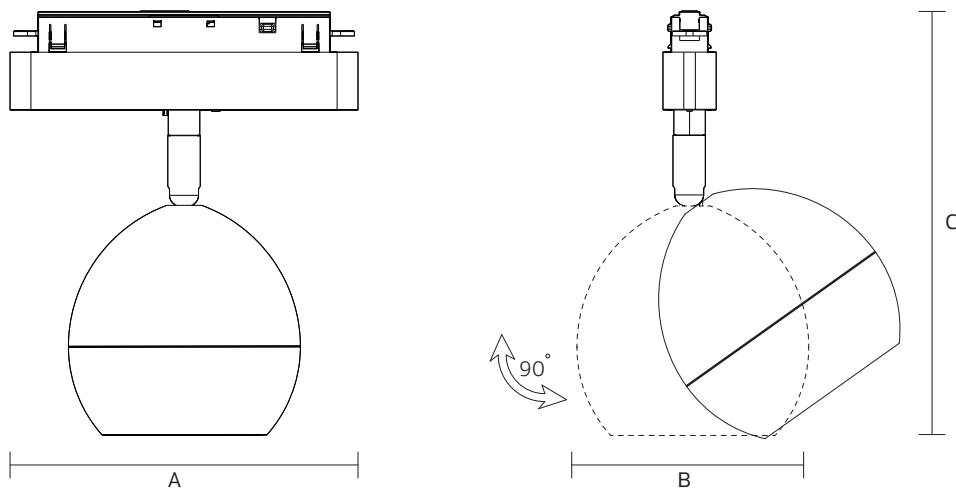
LED Magnetic Track System

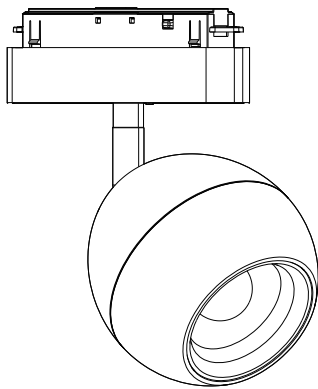
NR-TL105-10-CLB60
IP20



Item Code	P(W)	Using Track	Total Lumen	Beam Angle	Dimensions in mm			kg
					A	B	C	
NR-TL105-10-CLB60	10	NR-S20/NR-S35	850	15°-50°	150	Φ100	186	0.5

Dimensions in mm



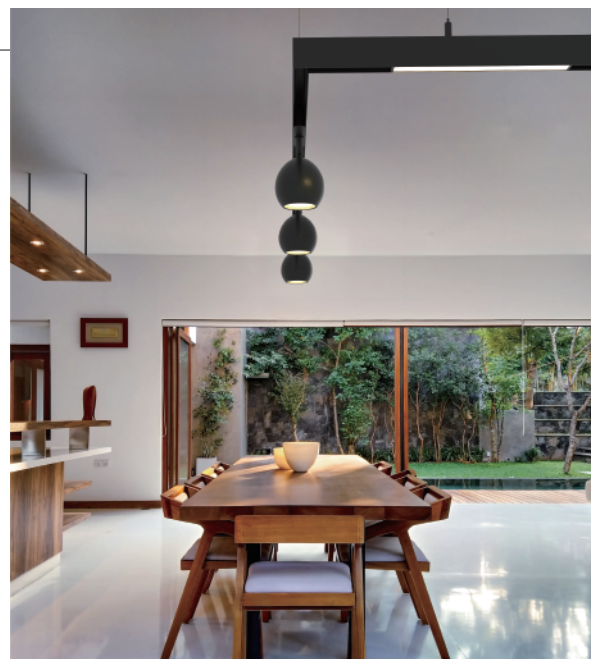
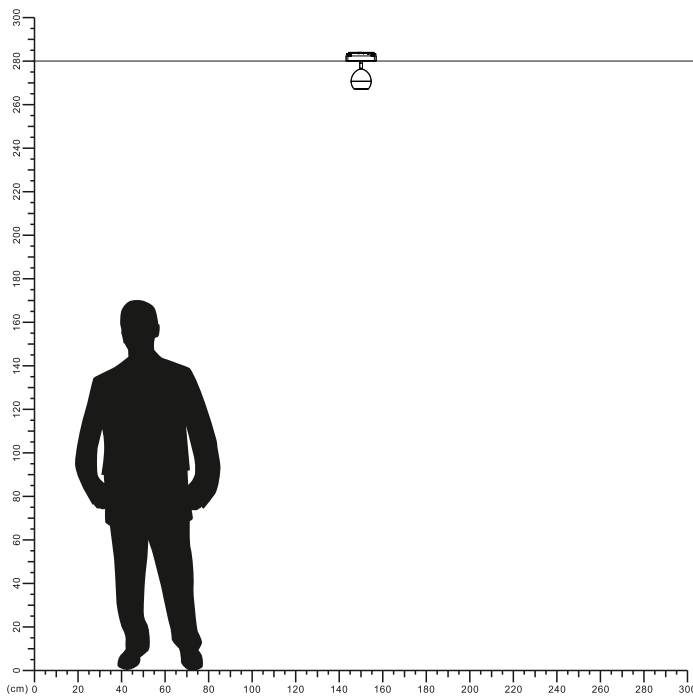


Description:
LED Magnetic Track System

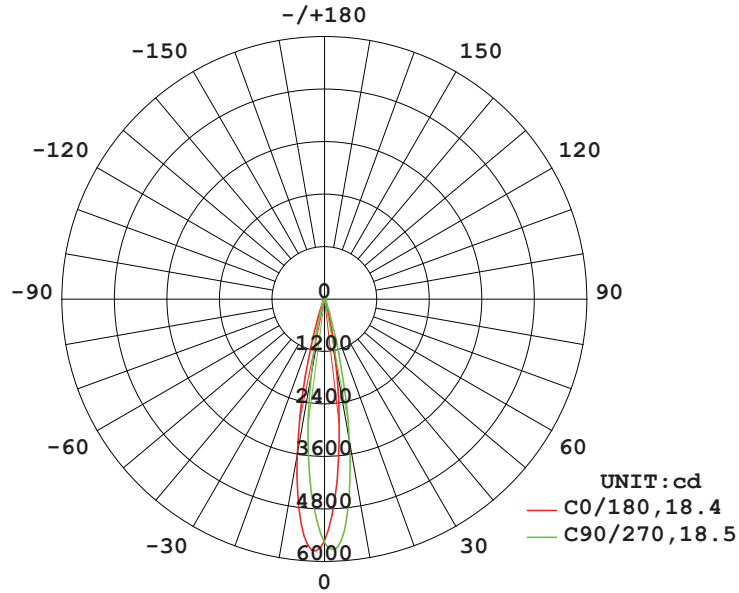
Main material:
Aluminum shell

Specification:
Energy saving, up to 85% energy saving comparing to standard halogen and incandescent lamps
High quality light, high color rendering, less heat, no UV or IR radiation
Build-in LED Driver

Applications
.Office
.Meeting room
.Sitting room

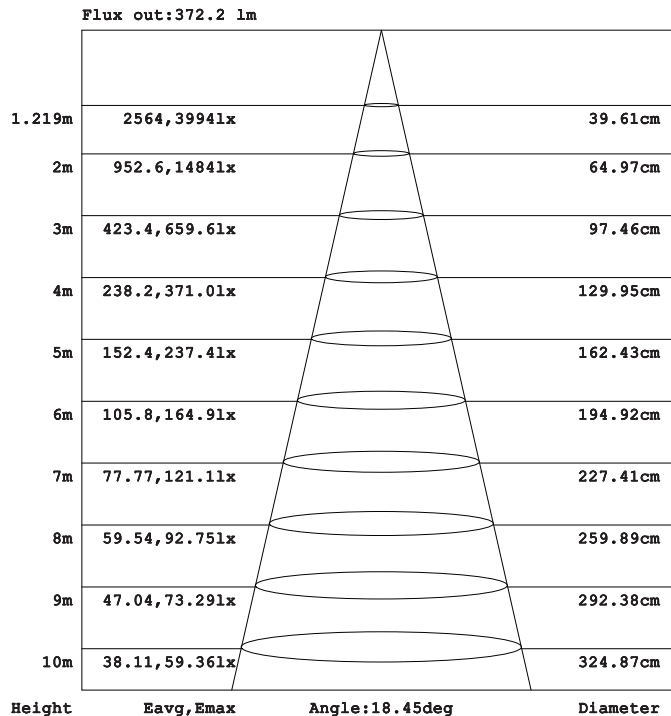


LUMINOUS INTENSITY DISTRIBUTION DIAGRAM



AVERAGE BEAM ANGLE (50%) : 18.5 DEG

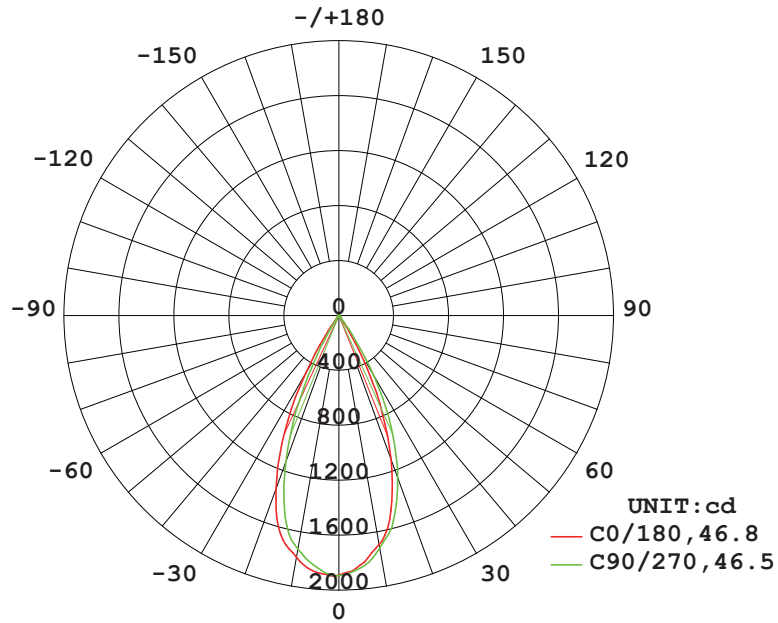
Illuminance at a Distance



Note: The Curves indicate the illuminated area and the average illumination when the luminaire is at different distance.

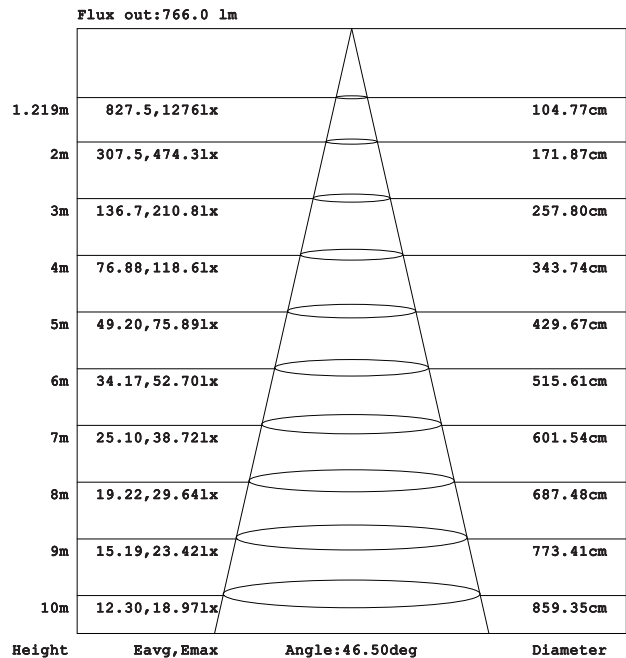
Model: NR-TL105-10 15°

LUMINOUS INTENSITY DISTRIBUTION DIAGRAM



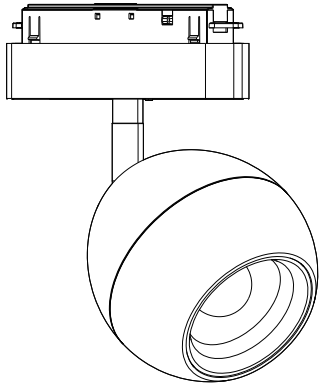
AVERAGE BEAM ANGLE (50%) : 46.7 DEG

Illuminance at a Distance

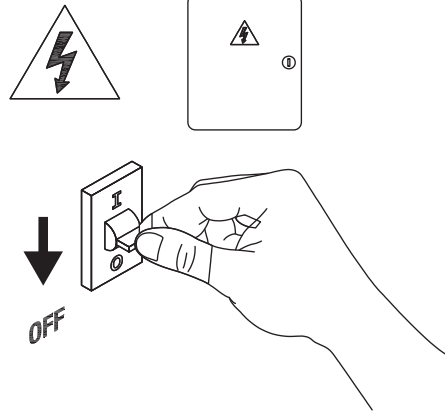


Note: The Curves indicate the illuminated area and the average illumination when the luminaire is at different distance.

Model: NR-TL105-10 50°

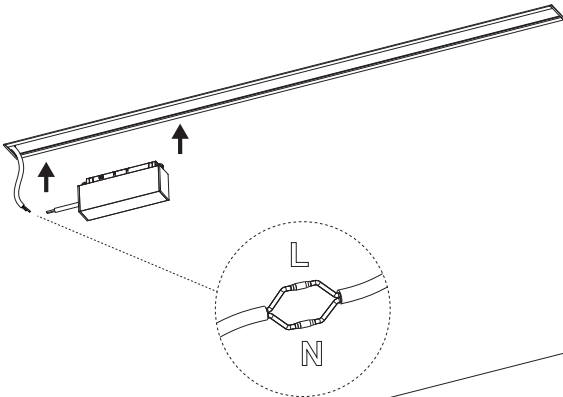


1



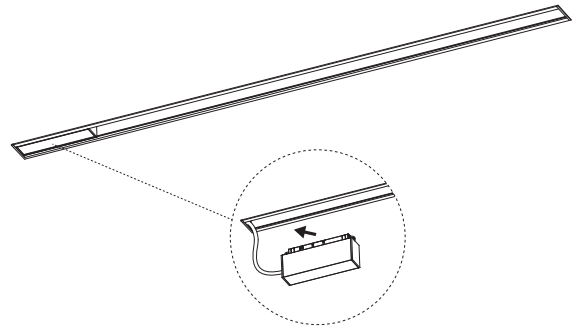
2

Turn off the power



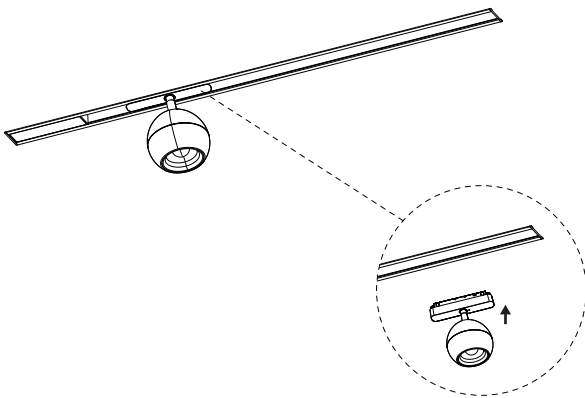
3

connect the cable



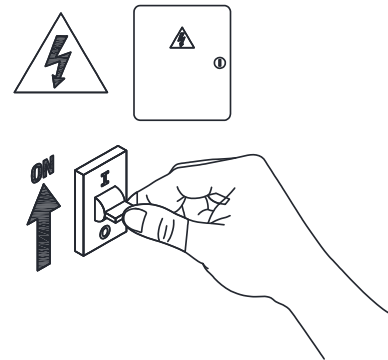
4

Install DC48V power supply



5

Install lamp the Installation is complete



6

Turn on power

