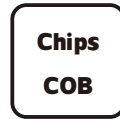
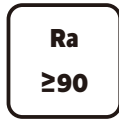


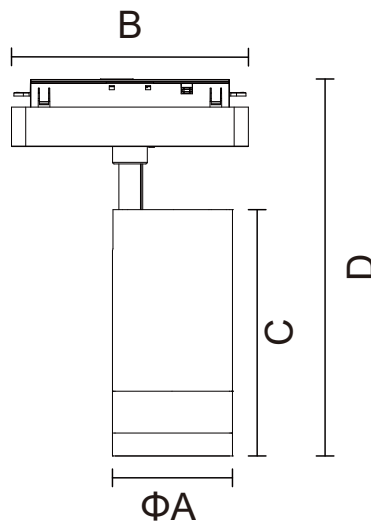
LED MAGNETIC TRACK SYSTEM

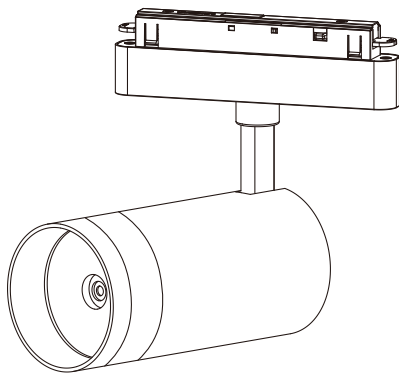
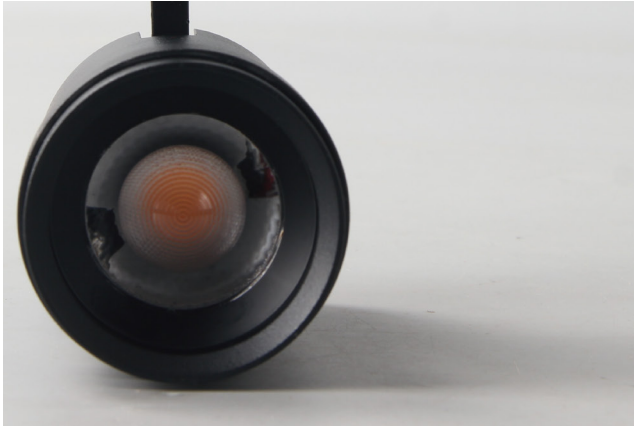
NR-TL105-10-CLB80
IP20



Item Code	P(W)	CCT(K)	Output (lm)	LM/W	Beam Angle	Color	Dimensions in mm				kg
							A	B	C	D	
NR-TL105-10-CLB80	10	3000	710	71	15°-50°	Black	Φ58	150	113	195	0.36

Dimensions in mm



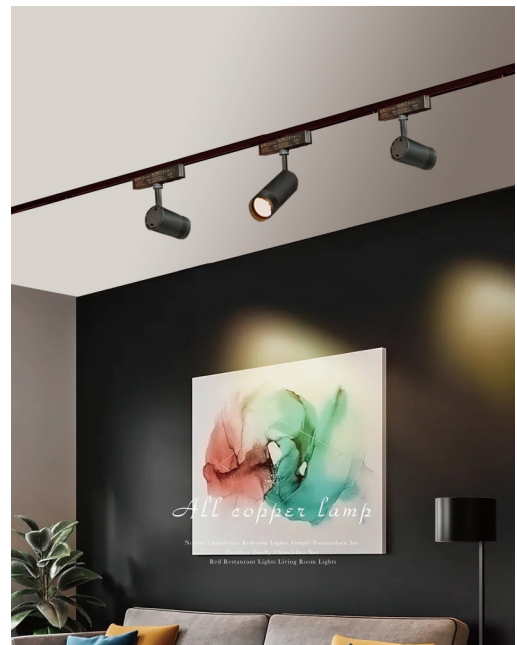
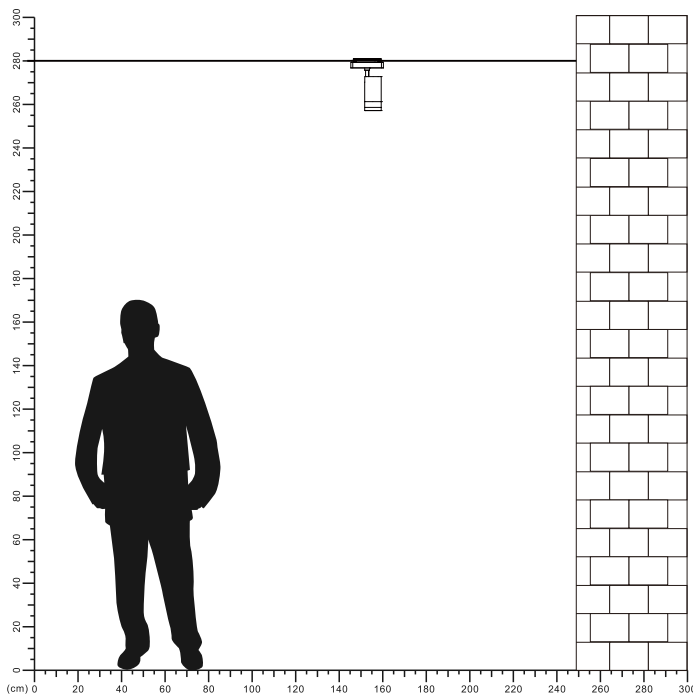


Description:
LED MAGNETIC TRACK SYSTEM

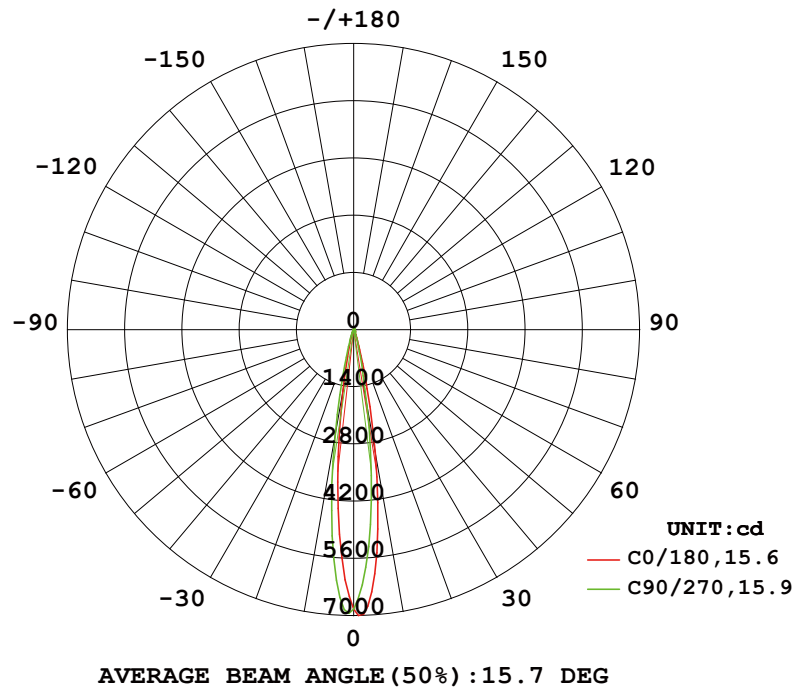
Main material:
Aluminum+Engineering plastics

Specification
1.Fashionable simplicity: Classic modernist design, simple, suitable for various decoration styles.

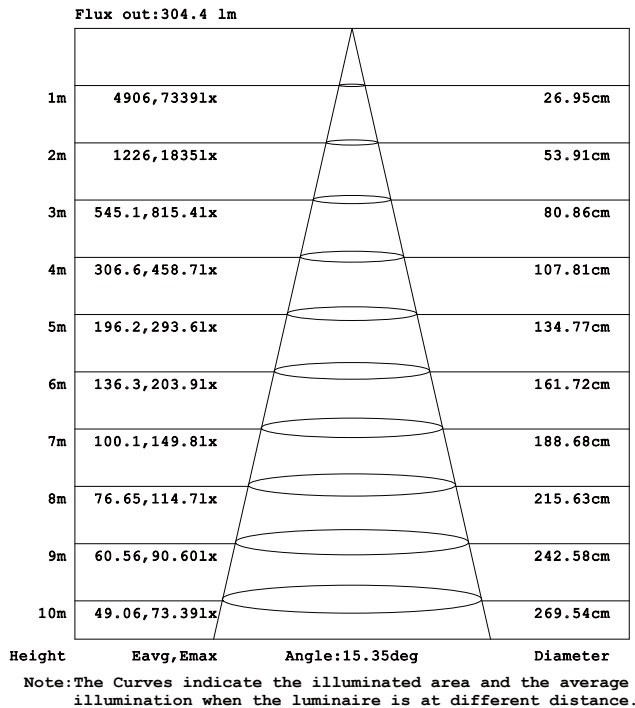
Applications
. drawing room
. Office buildings
. Exhibition hall



LUMINOUS INTENSITY DISTRIBUTION DIAGRAM

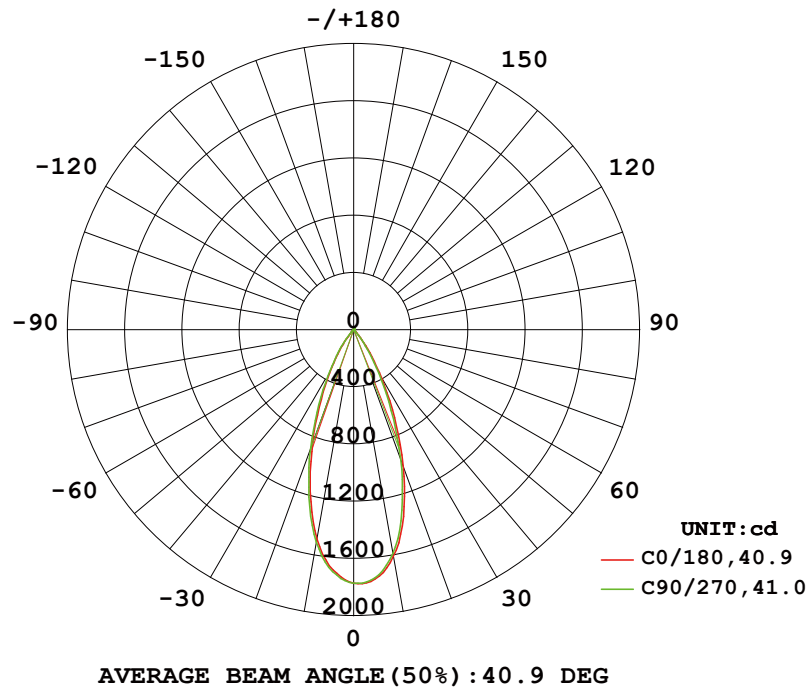


Illuminance at a Distance

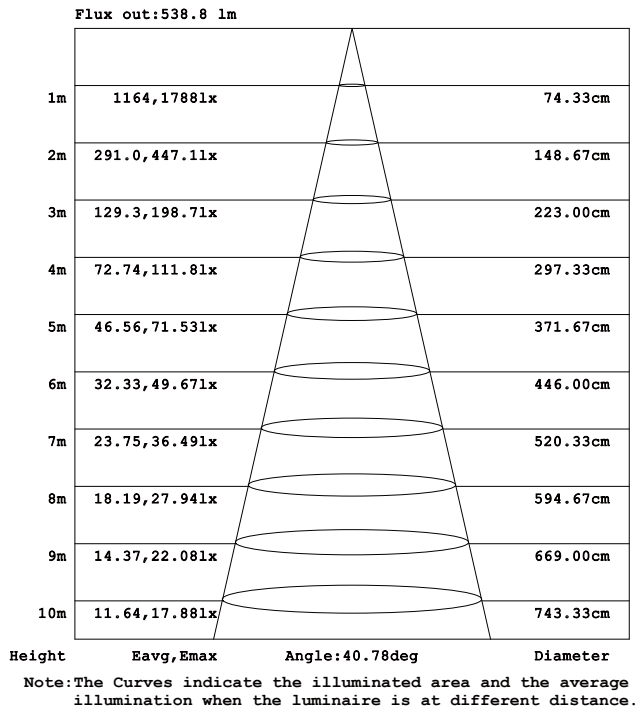


Beam Angle: 15°

LUMINOUS INTENSITY DISTRIBUTION DIAGRAM



Illuminance at a Distance



Beam Angle: 50°

