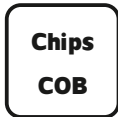
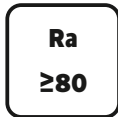
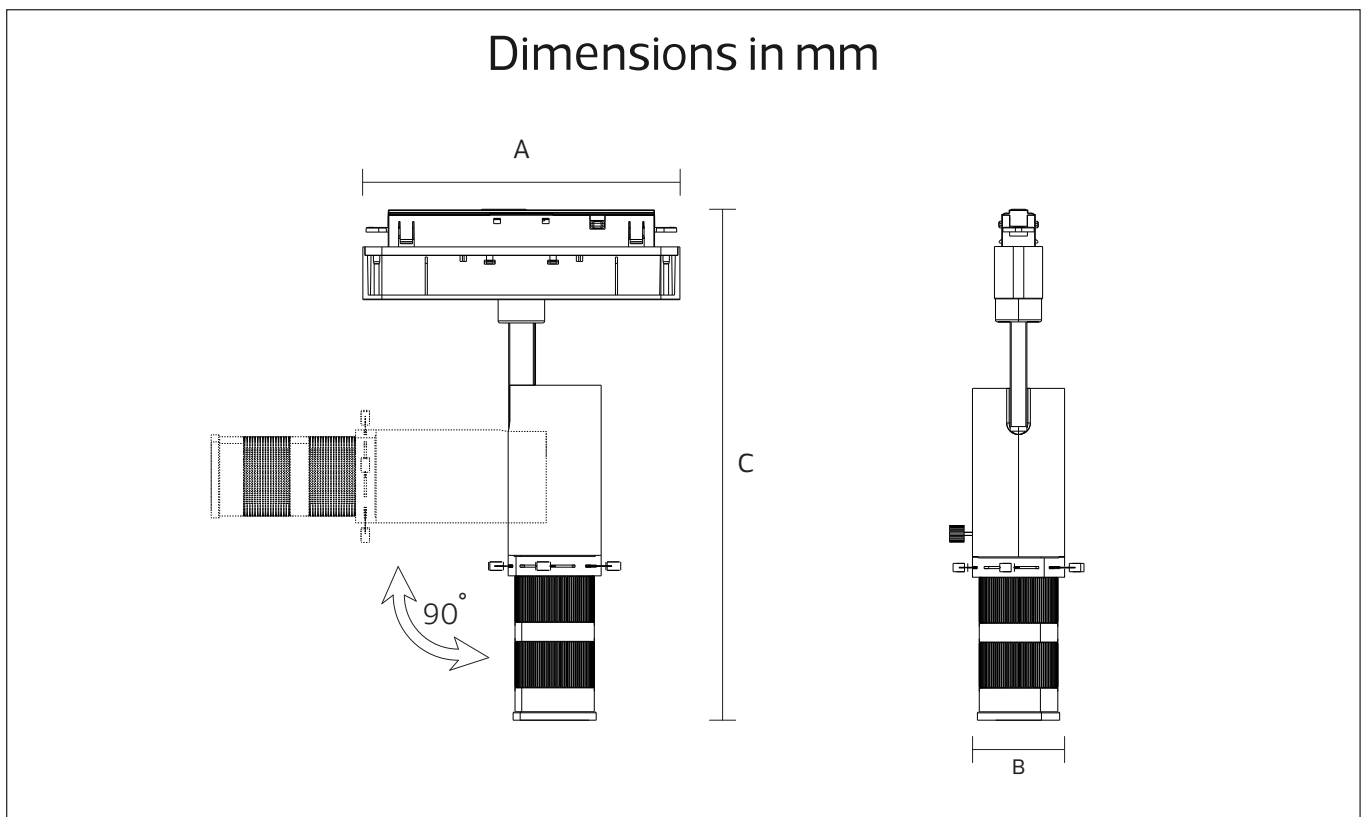


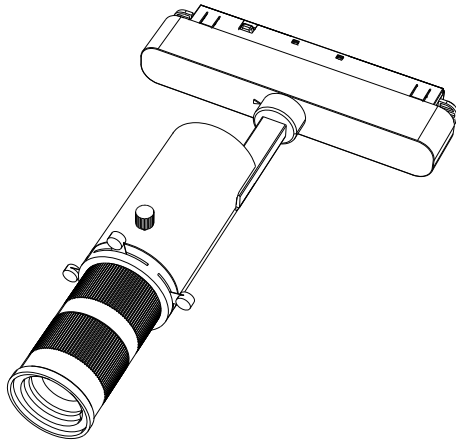
LED Magnetic Track System

NR-TL105-10-Focus



Item Code	P(W)	Using Track	Total Lumen	Beam Angle	Dimensions in mm			kg
					A	B	C	
NR-TL105-10-Focus	10	NR-S20/NR-S35	350	24°-36°	150	Φ44	245	0.37



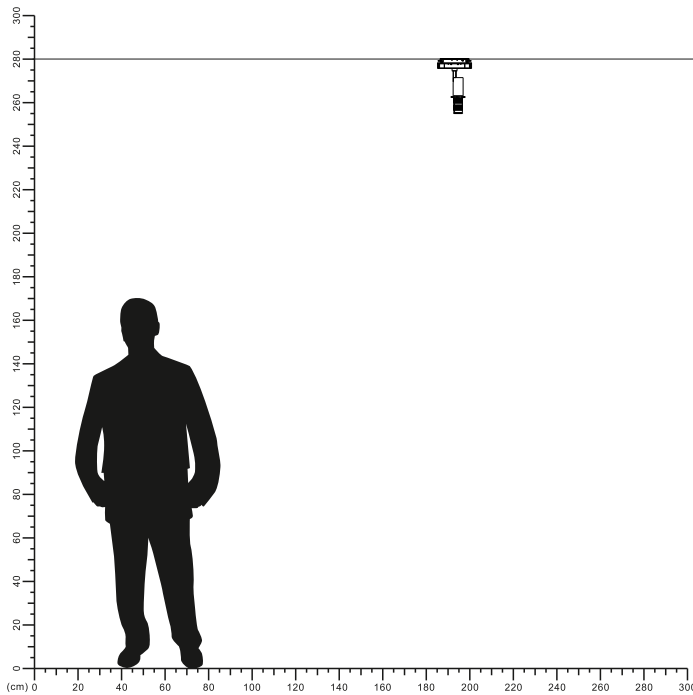


Description:
LED Magnetic Track System

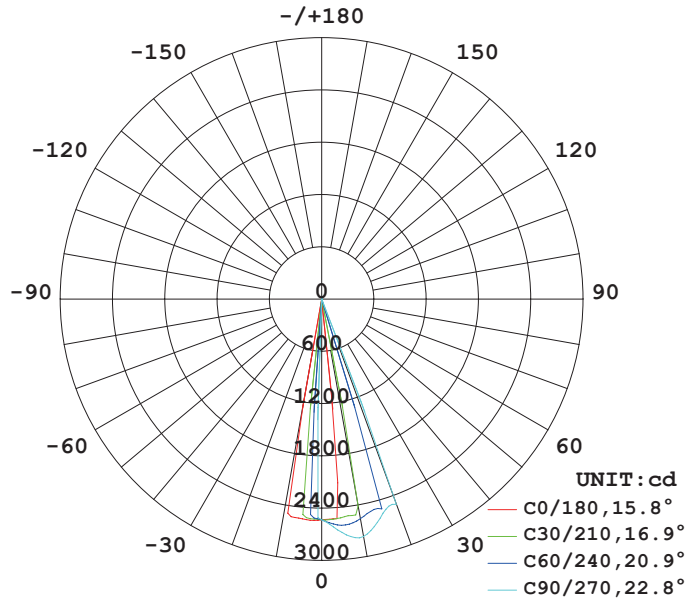
Main material:
Aluminum shell, Silica gel

Specification:
Energy saving, up to 85% energy saving comparing to standard halogen and incandescent lamps
High quality light, high color rendering, less heat, no UV or IR radiation
Build-in LED Driver

Applications
.Office
.Meeting room
.Sitting room

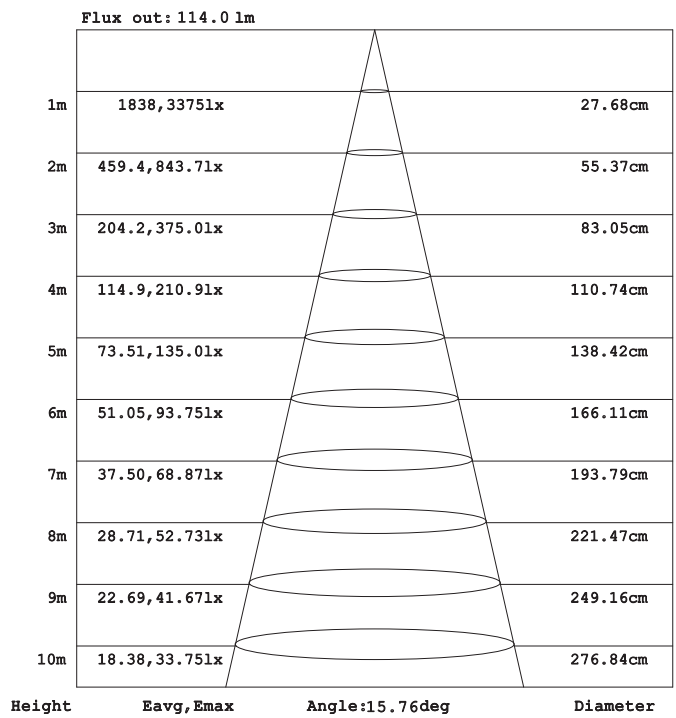


LUMINOUS INTENSITY DISTRIBUTION DIAGRAM



AVERAGE BEAM ANGLE (50%) : 19.1 DEG

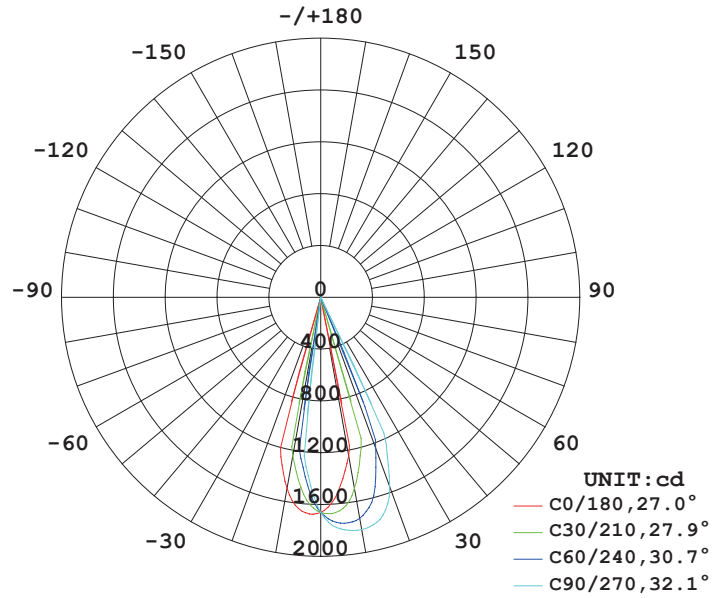
Illuminance at a Distance



Note: The Curves indicate the illuminated area and the average illumination when the luminaire is at different distance.

Model: NR-TL105-10-Focus 24°

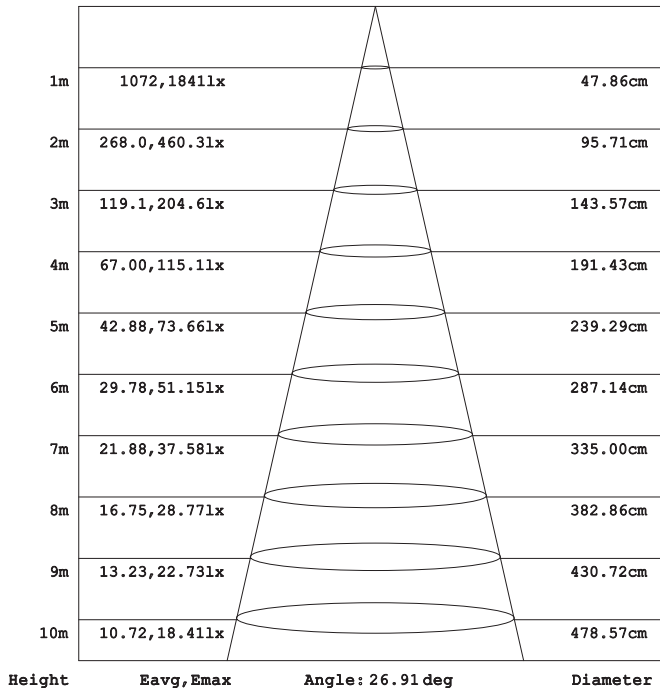
LUMINOUS INTENSITY DISTRIBUTION DIAGRAM



AVERAGE BEAM ANGLE (50%) : 29.4 DEG

Illuminance at a Distance

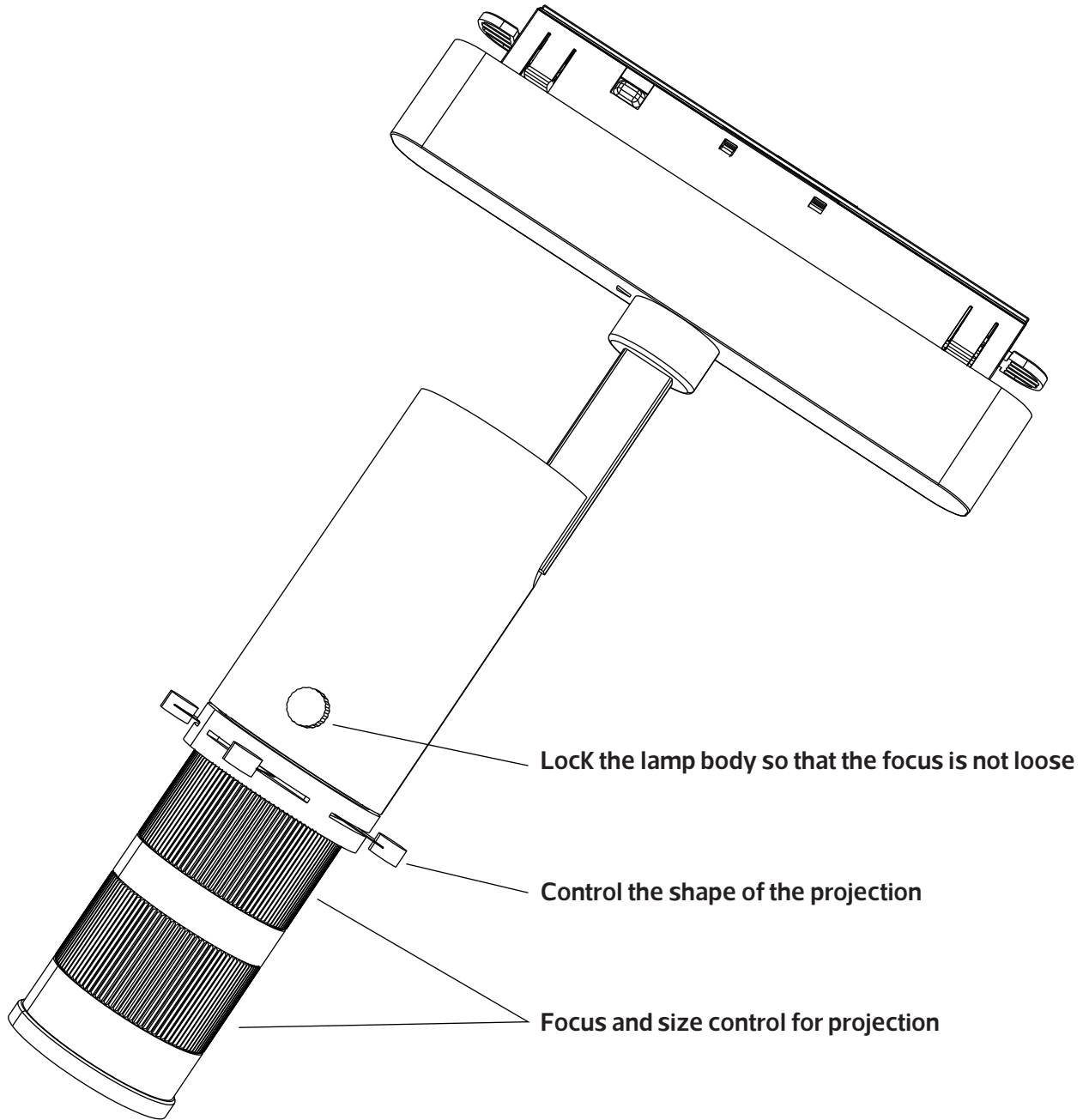
Flux out: 209.4 lm

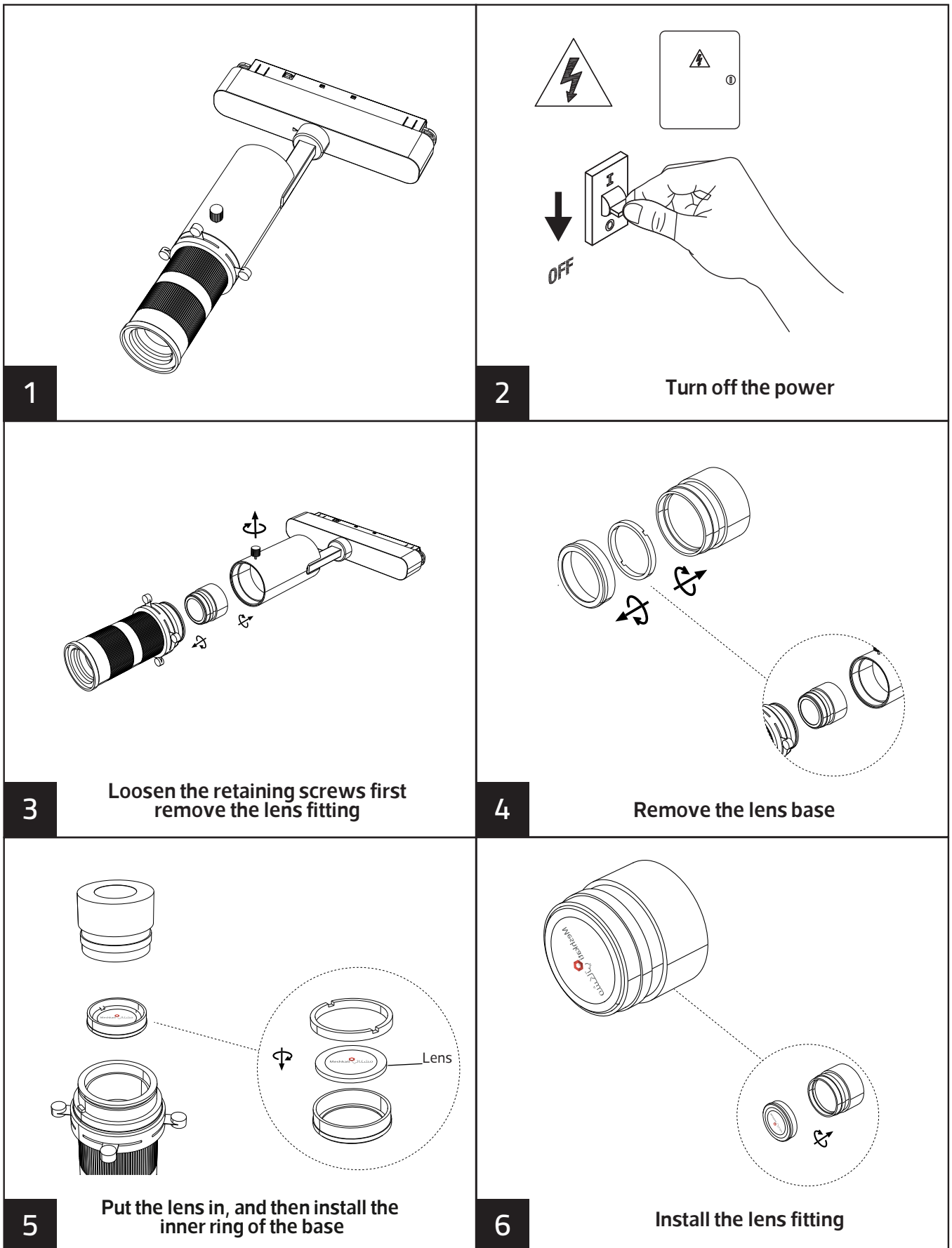


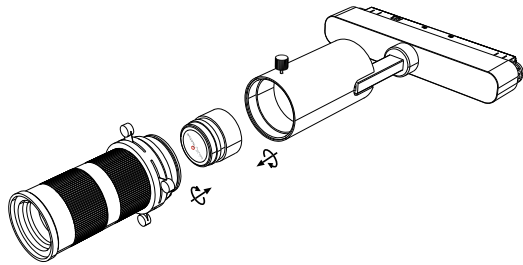
Note: The Curves indicate the illuminated area and the average illumination when the luminaire is at different distance.

Model: NR-TL105-10-Focus 36°

Function introduction

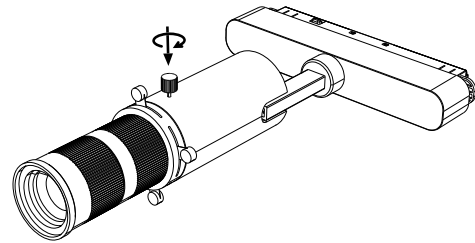






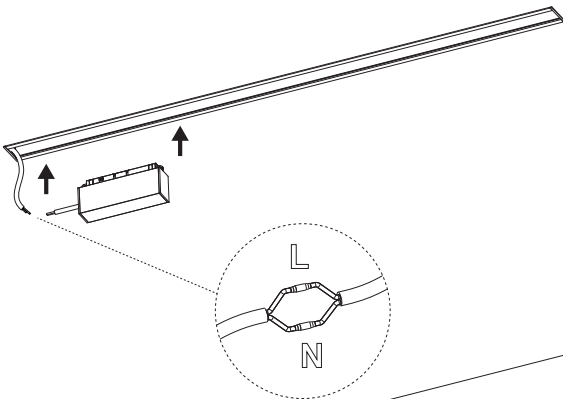
7

Fit the fittings into the lamp body



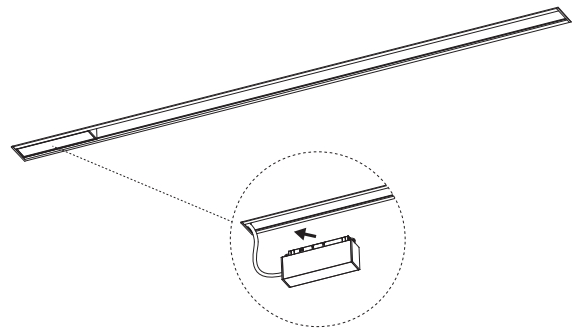
8

Tighten the fixing screws and install them



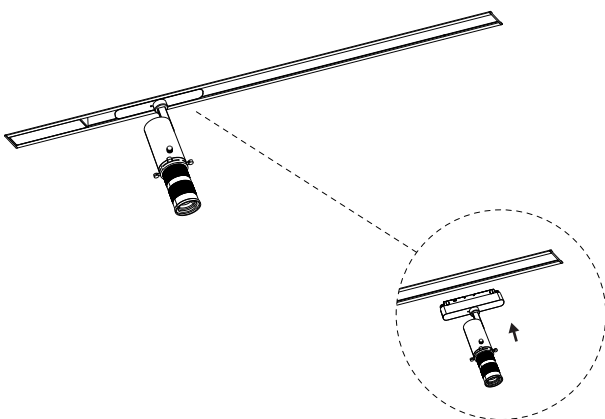
9

connect the cable



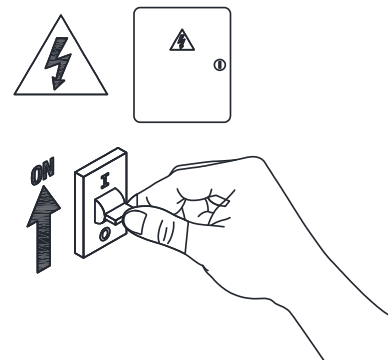
10

Install DC48V power supply



11

Install lamp the Installation is complete



12

Turn on power

