

LED Magnetic Track System

NR-TL2570-2

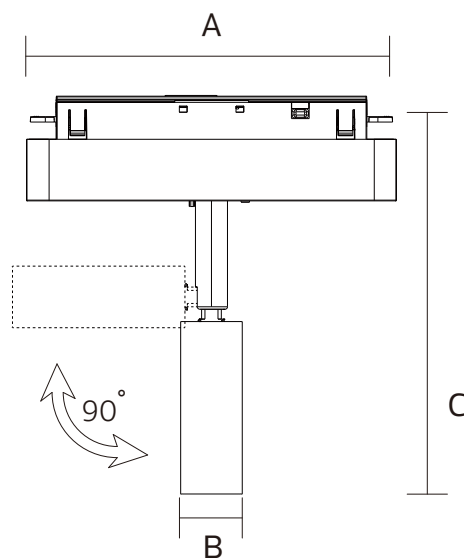
IP20

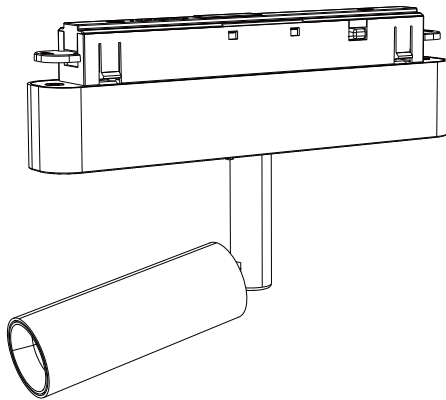


Indoor 	DC 48V	CCT 3000K	Ra ≥90	Average 30,000 Hours	ON OFF ≥15,000	IP20	Beam Angle 10°	Chips SMD	
-------------------	-------------------------	----------------------------	-------------------------	-----------------------------------	--------------------------	-------------	---------------------------------	----------------------------	--

Item Code	P(W)	Using Track	Total Lumen	Beam Angle	Dimensions in mm			kg
					A	B	C	
NR-TL2570-2	2	NR-S20/NR-S35	130	10°	150	Ø25	161	0.12

Dimensions in mm



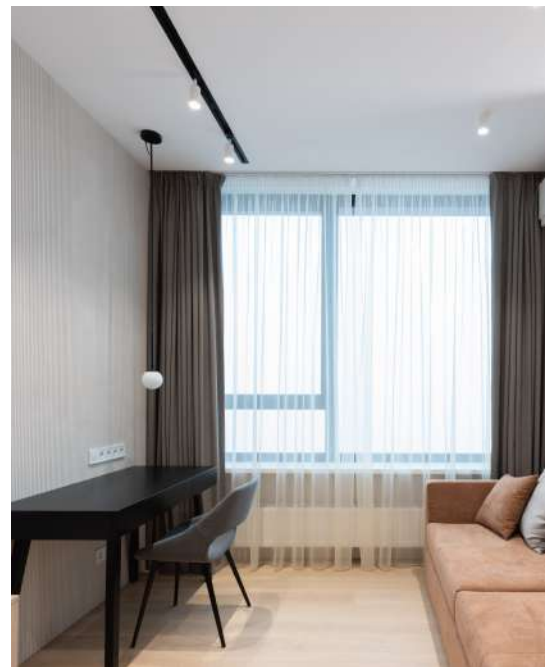
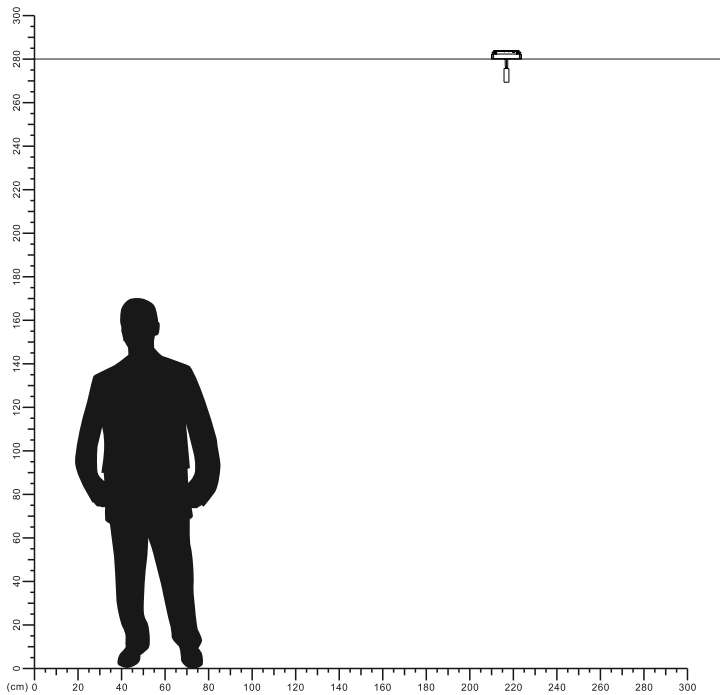


Description:
LED Magnetic Track System

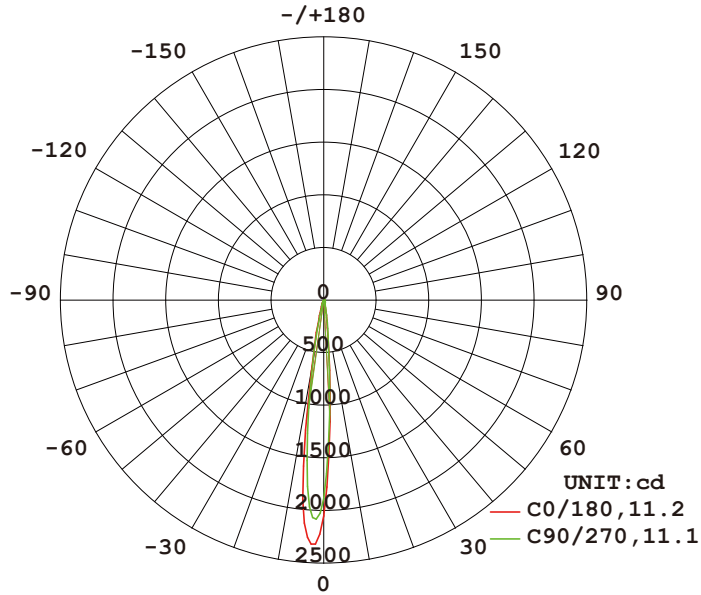
Main material:
Aluminum shell, Silica gel

Specification:
Energy saving, up to 85% energy saving comparing to standard halogen and incandescent lamps
High quality light, high color rendering, less heat, no UV or IR radiation
Build-in LED Driver

Applications
.Office
.Meeting room
.Sitting room



LUMINOUS INTENSITY DISTRIBUTION DIAGRAM



AVERAGE BEAM ANGLE (50%) : 11.2 DEG

Illuminance at a Distance

