

## LED Magnetic Track System

NR-TL2570-2

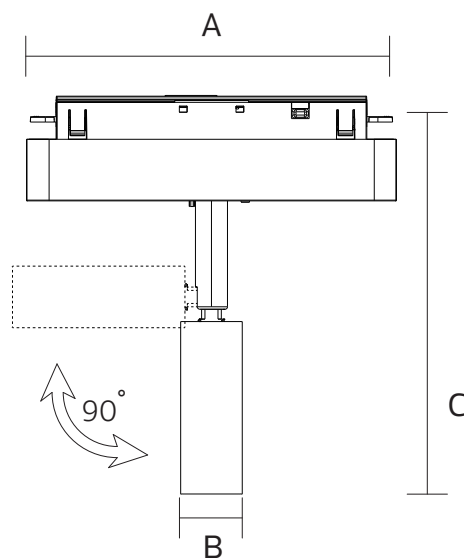
IP20

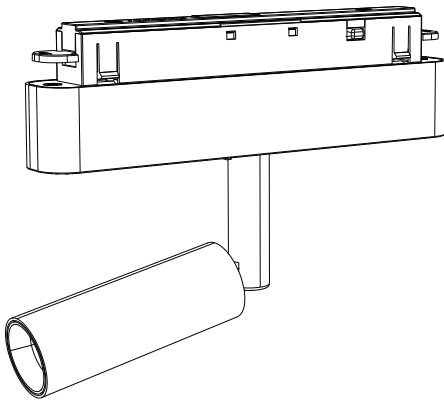


<b>Indoor</b> 	<b>DC</b> <b>48V</b>	<b>CCT</b> <b>3000K</b>	<b>Ra</b> <b>≥90</b>	<b>Average</b> 30,000 Hours	<b>ON OFF</b> ≥15,000	<b>IP20</b>	<b>Beam</b> <b>Angle</b> <b>10°</b>	<b>Chips</b> <b>SMD</b>	
-------------------	-------------------------	----------------------------	-------------------------	-----------------------------------	--------------------------	-------------	---	----------------------------	--

Item Code	P(W)	Using Track	Total Lumen	Beam Angle	Dimensions in mm			
					A	B	C	
NR-TL2570-2	2	NR-S20/NR-S35	130	10°	150	Ø25	161	0.12

### Dimensions in mm



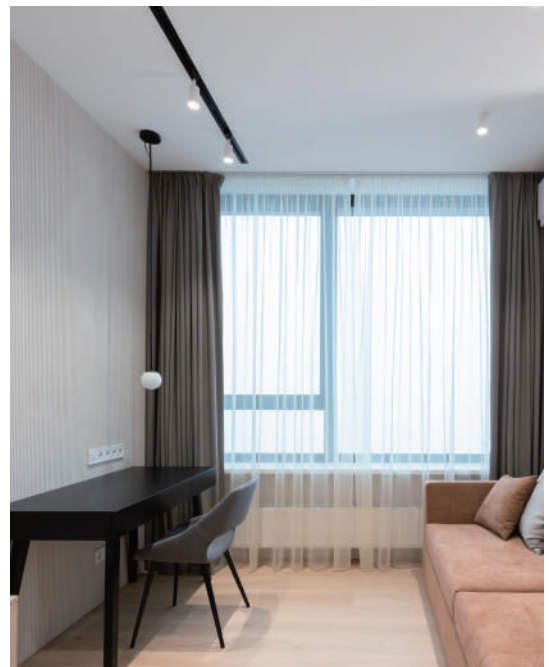
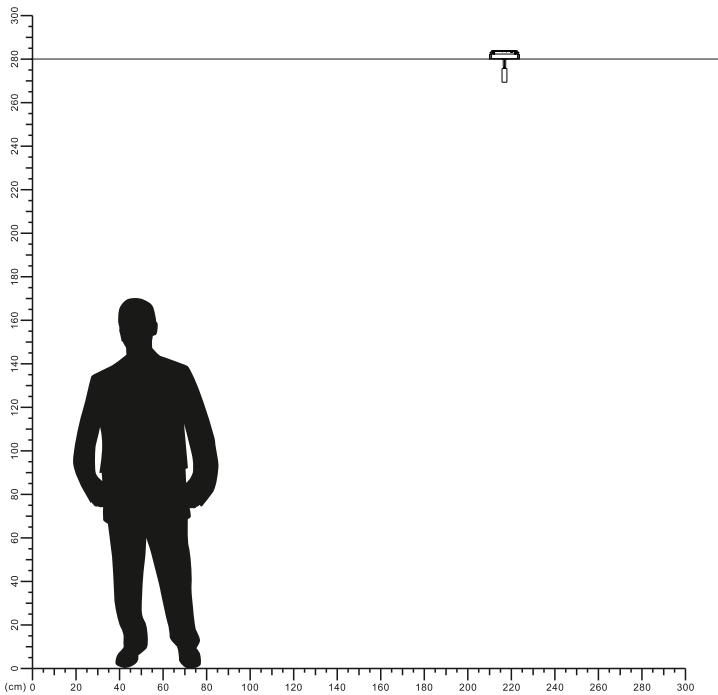


**Description:**  
LED Magnetic Track System

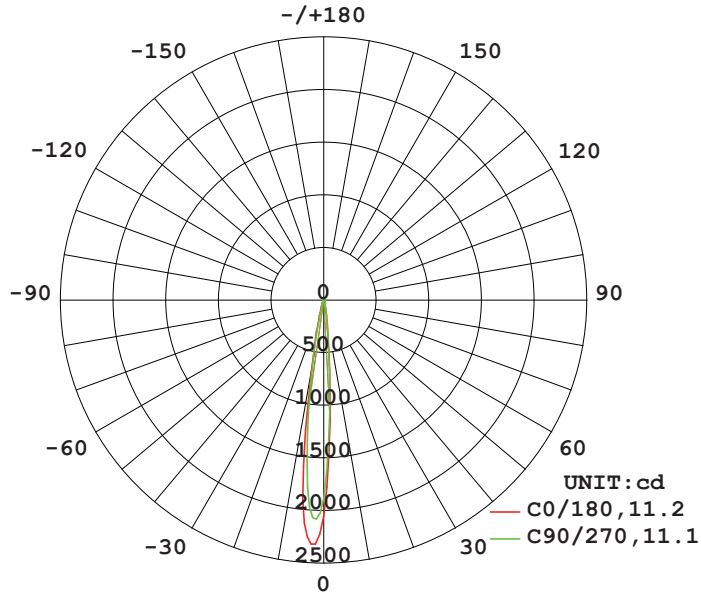
**Main material:**  
Aluminum shell, Silica gel

**Specification:**  
Energy saving, up to 85% energy saving comparing to standard halogen and incandescent lamps  
High quality light, high color rendering, less heat, no UV or IR radiation  
Build-in LED Driver

**Applications**  
.Office  
.Meeting room  
.Sitting room

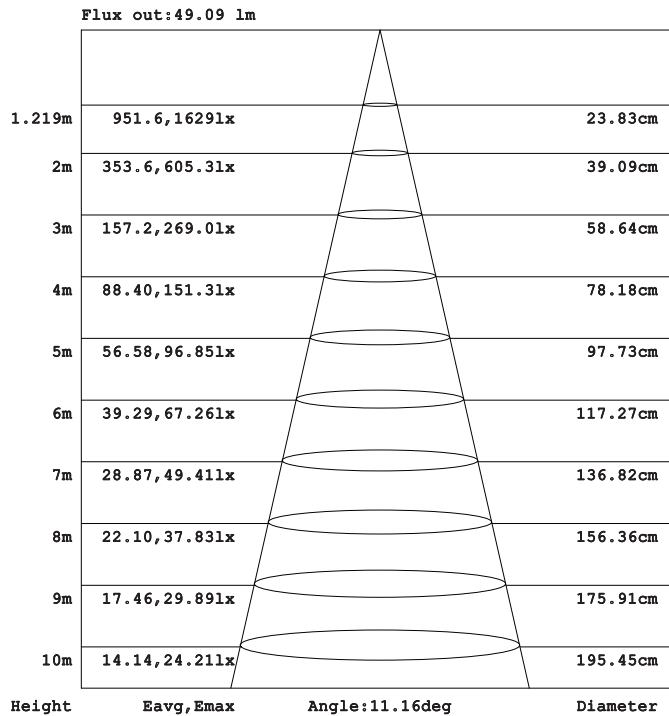


# LUMINOUS INTENSITY DISTRIBUTION DIAGRAM



**AVERAGE BEAM ANGLE (50%) : 11.2 DEG**

## Illuminance at a Distance



Note: The Curves indicate the illuminated area and the average illumination when the luminaire is at different distance.

