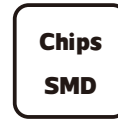
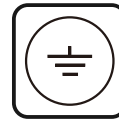
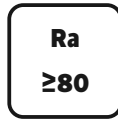
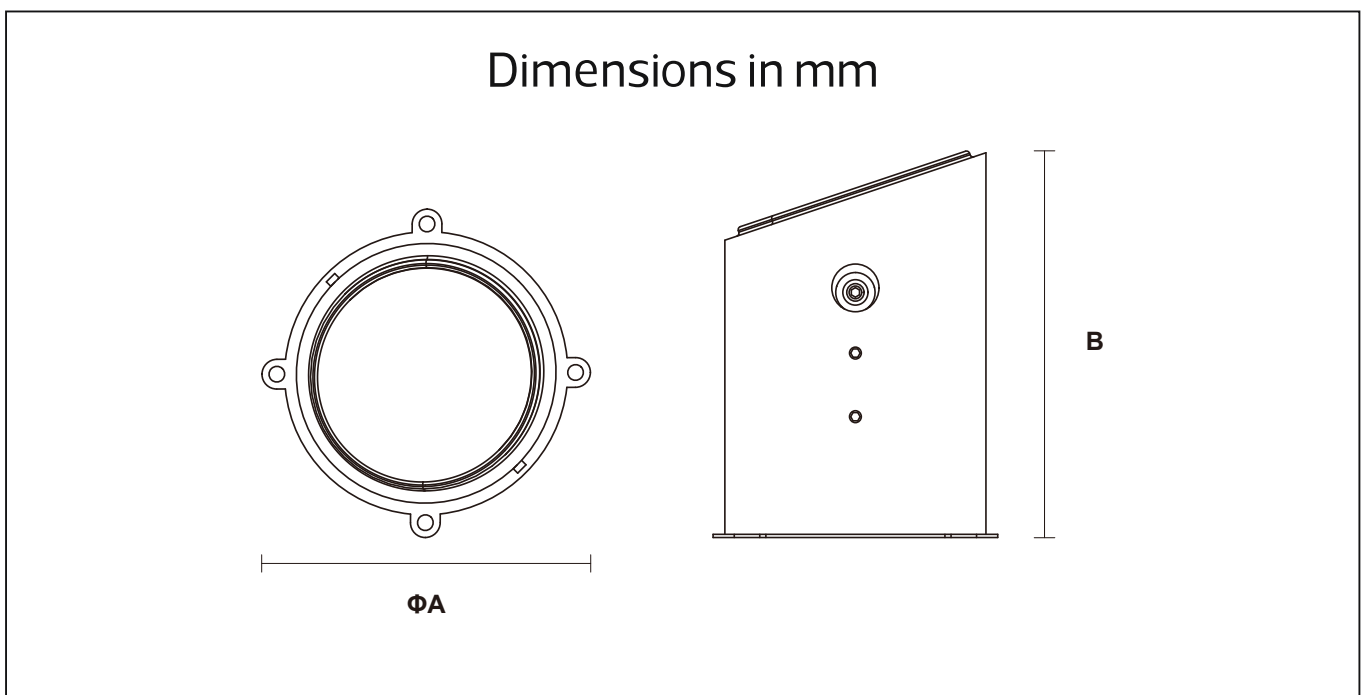


## LED Outdoor Buried Lamp

NR-ULS Series  
IP65



Item Code	P(W)	CCT(K)	Total Lumen	Beam Angle	Dimensions in mm		kg
					A	B	
NR-ULS-6	6	6500/4000/3000	390	36°	210	240	1.7
NR-ULS-15	15	6500/4000/3000	1075	36°	260	280	2.6
NR-ULS-36	36	6500/4000/3000	2655	36°	370	305	3.8

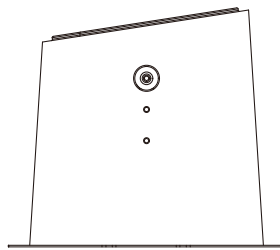
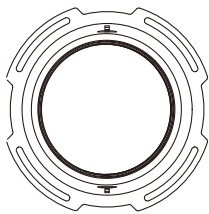




Highlighting the lens



Aluminum waterproof case

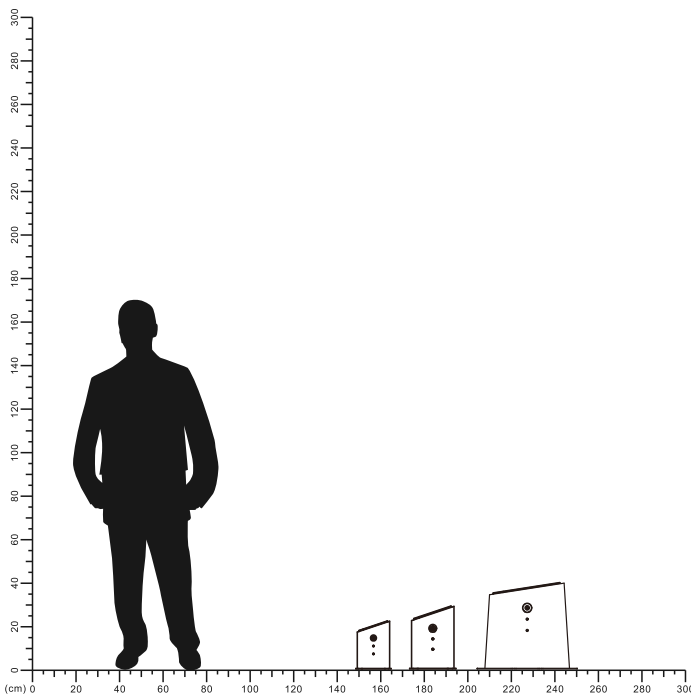


**Description:**  
LED Buried Lamp

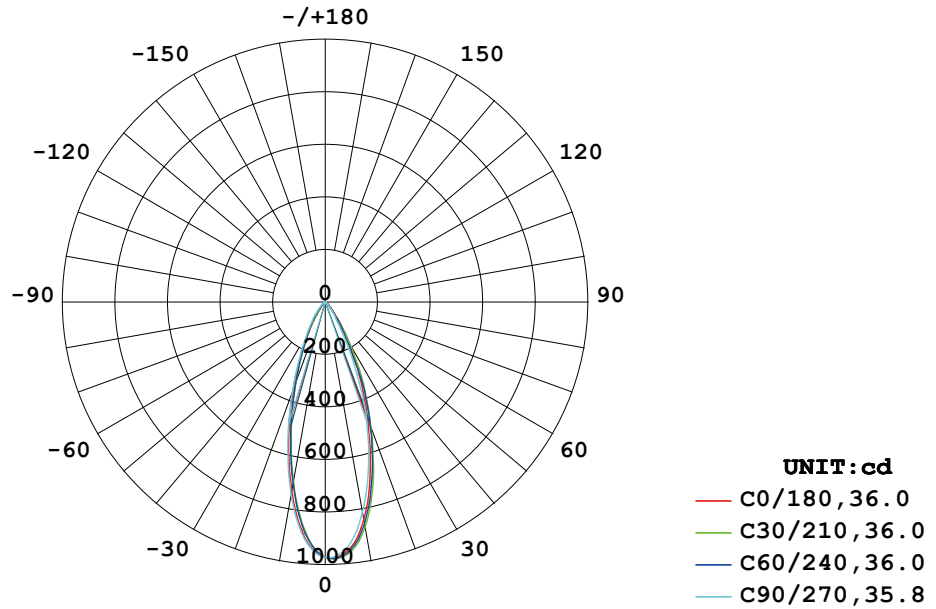
**Main material:**  
Stainless steel shell, engineering fireproof plastic shell, honeycomb anti-dazzle net

**Specification:**  
Energy saving, upto 85% energy saving comparing to standard halogen and incandescent lamps Long life, upto 50,000 hours High quality light, high color rendering, less heat, no UV or IR radiation

**Applications**  
Garden  
Square  
Other Outdoor Area

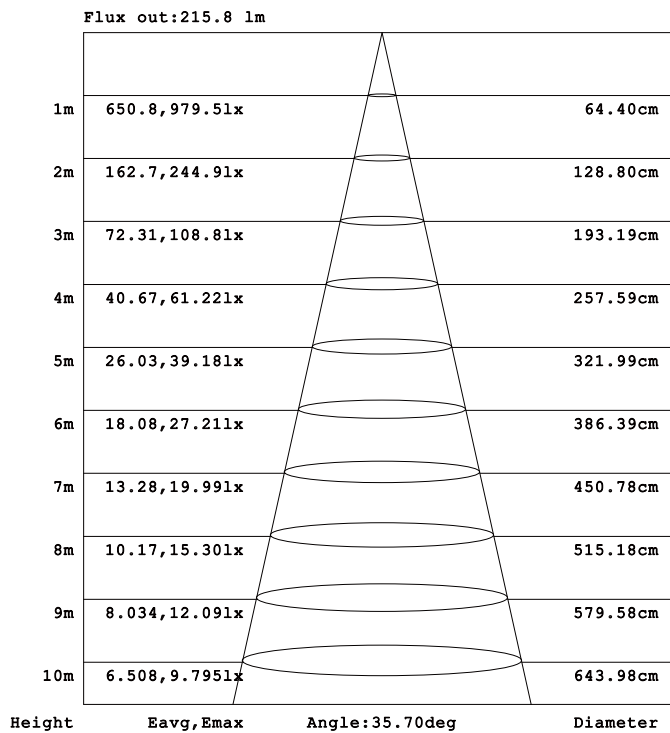


# LUMINOUS INTENSITY DISTRIBUTION DIAGRAM

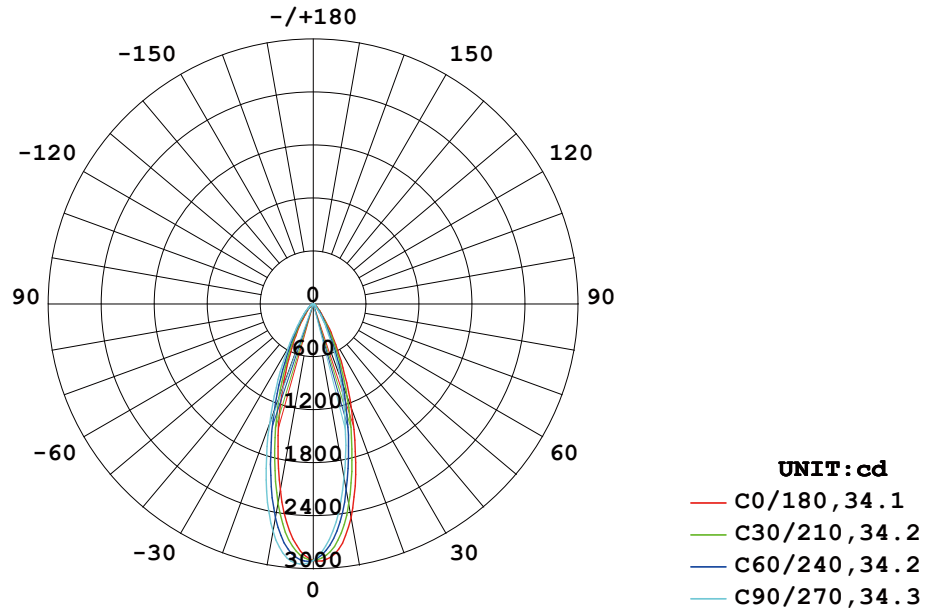


**AVERAGE BEAM ANGLE (50%) : 36.0 DEG**

## Illuminance at a Distance

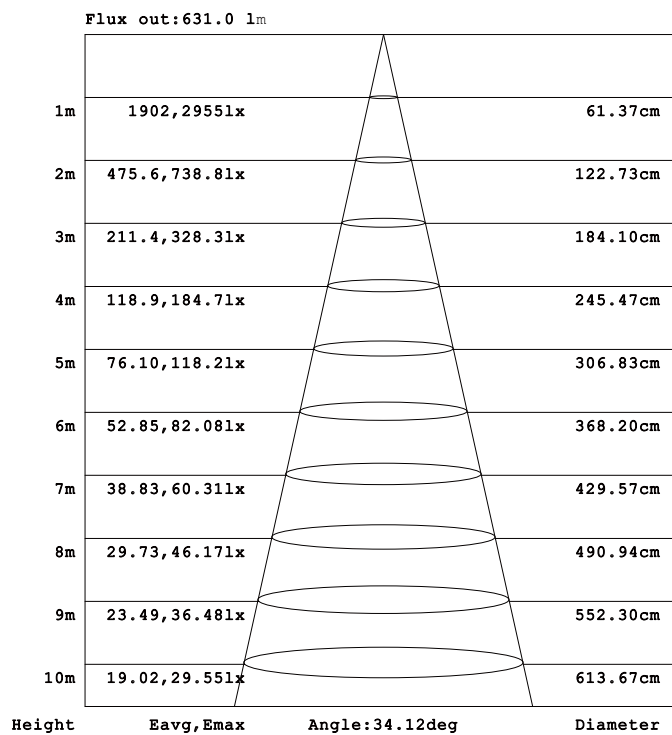


# LUMINOUS INTENSITY DISTRIBUTION DIAGRAM

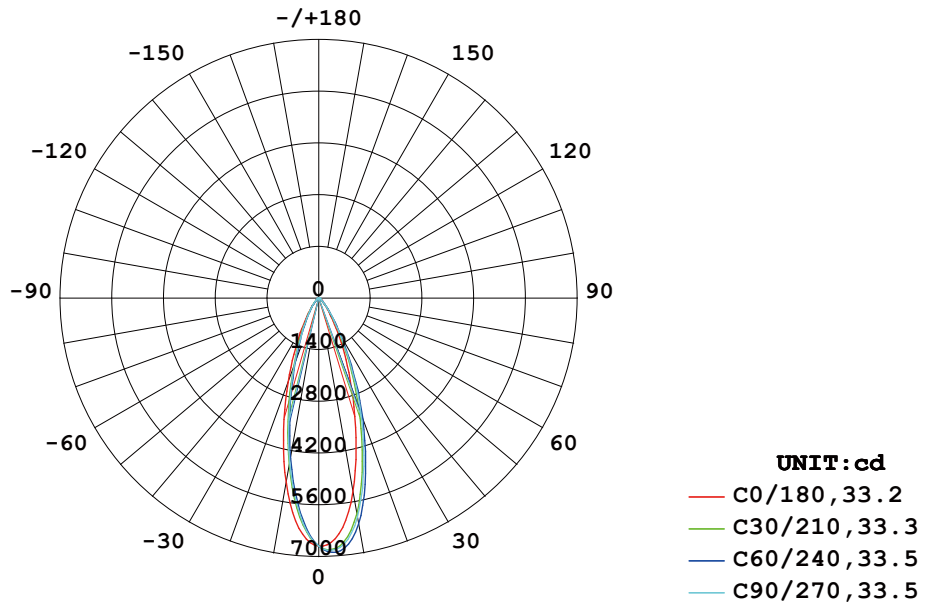


**AVERAGE BEAM ANGLE (50%) : 34.2 DEG**

## Illuminance at a Distance

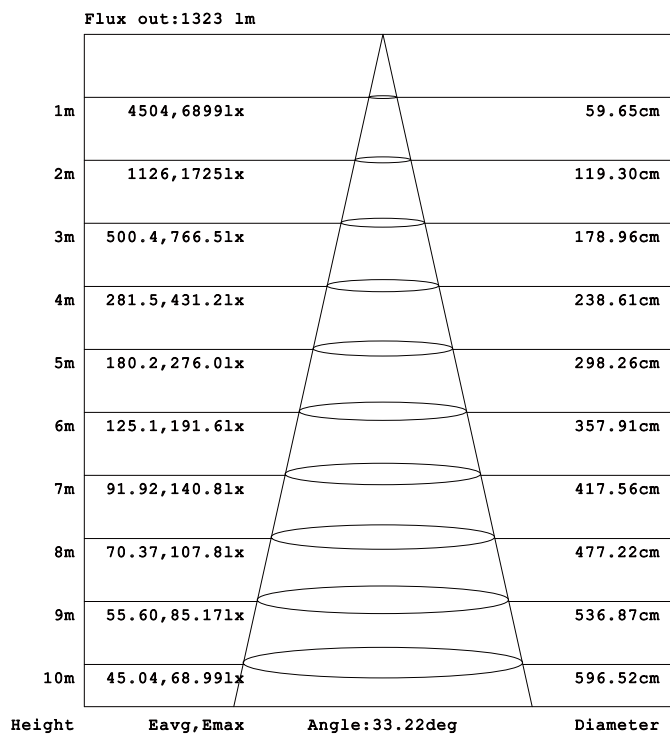


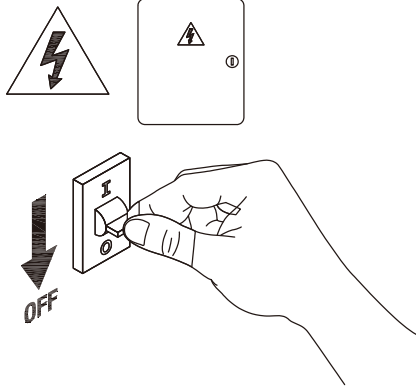
# LUMINOUS INTENSITY DISTRIBUTION DIAGRAM



**AVERAGE BEAM ANGLE (50%) : 33.4 DEG**

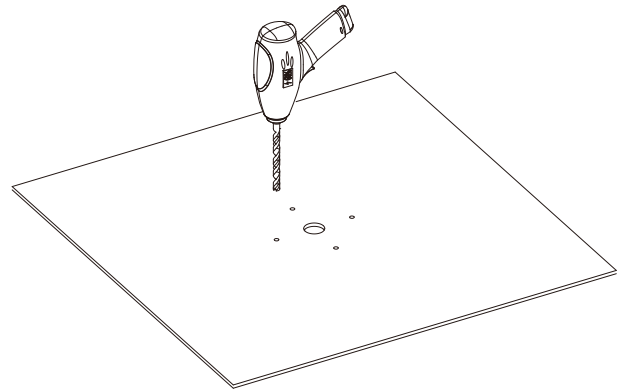
## Illuminance at a Distance





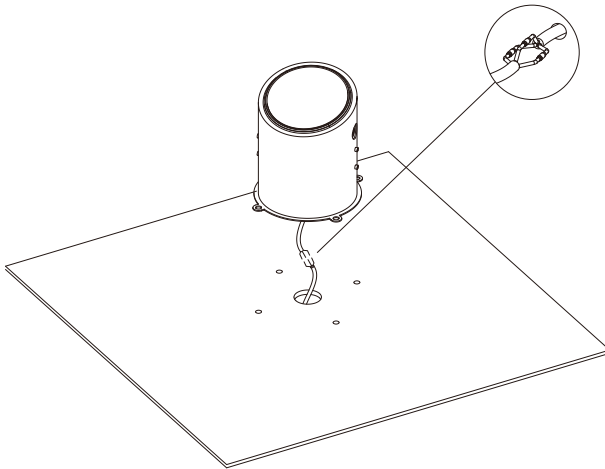
**1**

**Turn off the power**



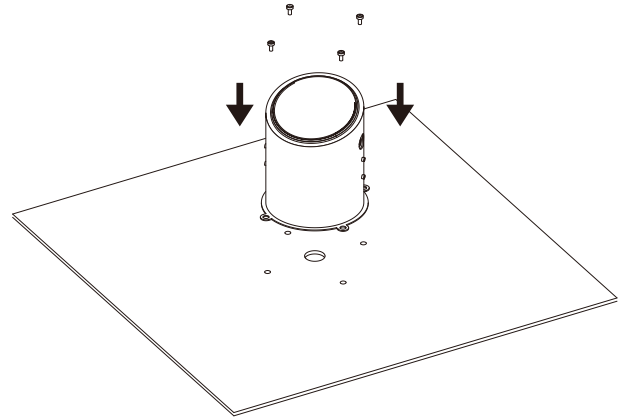
**2**

**Drill holes in the floor**



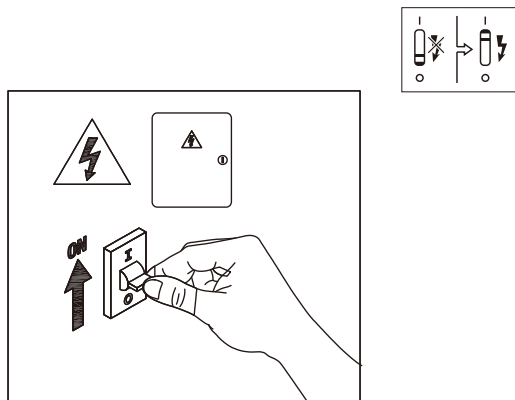
**3**

**Connect the cable**



**4**

**Installation of the shell**



**5**

**Turn on the power**



**6**

