

LED Outdoor Wall Lamp

NR-WL104-10W

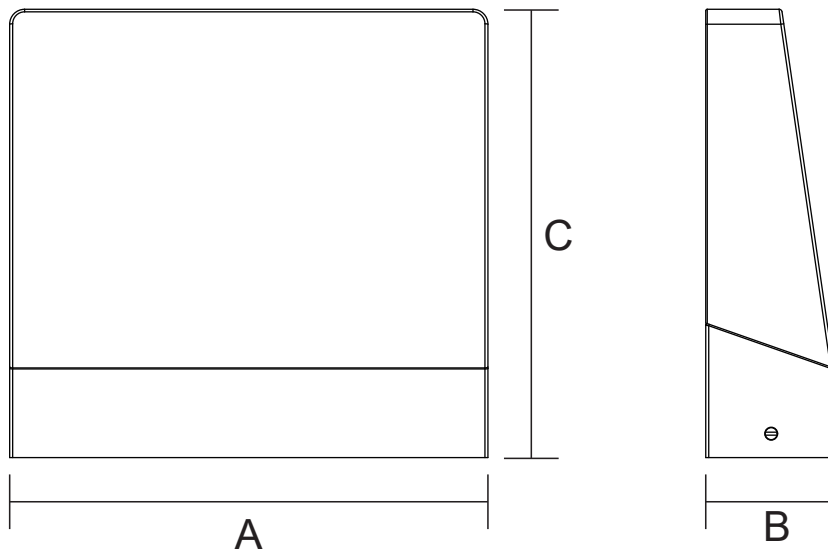
IP65

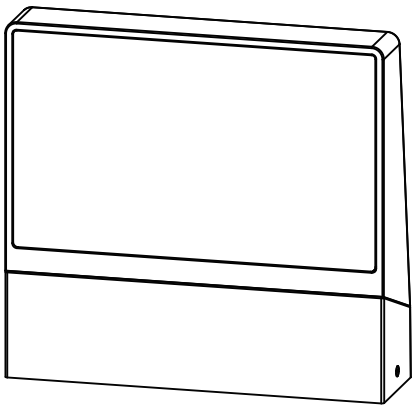
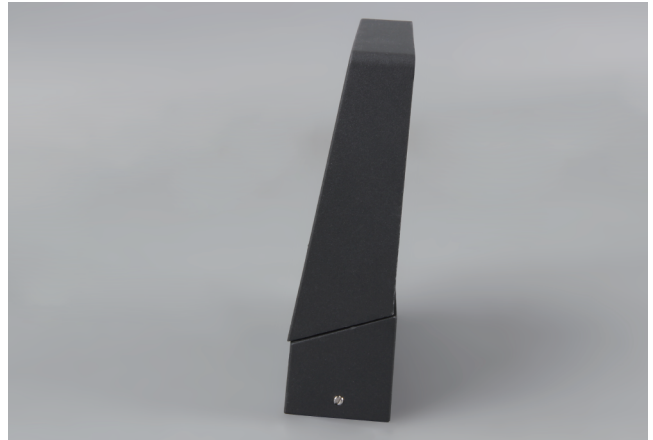


Outdoor 	AC 220-240V	50/60 Hz	PF ≥0.7	CCT 6500K 4000K 3000K	Ra ≥80	IP65	Beam Angel 120°	Chips SMD	
-------------	----------------	-------------	------------	--------------------------------	-----------	------	--------------------	--------------	--

Item Code	P (W)	CCT(K)	Beam angle	Output (lm)	lm/w	Dimensions in mm			kg
						A	B	C	
NR-WL104-10W	10	3000/4000/6500	120°	650	65	161	44	150	0.76

Dimensions in mm



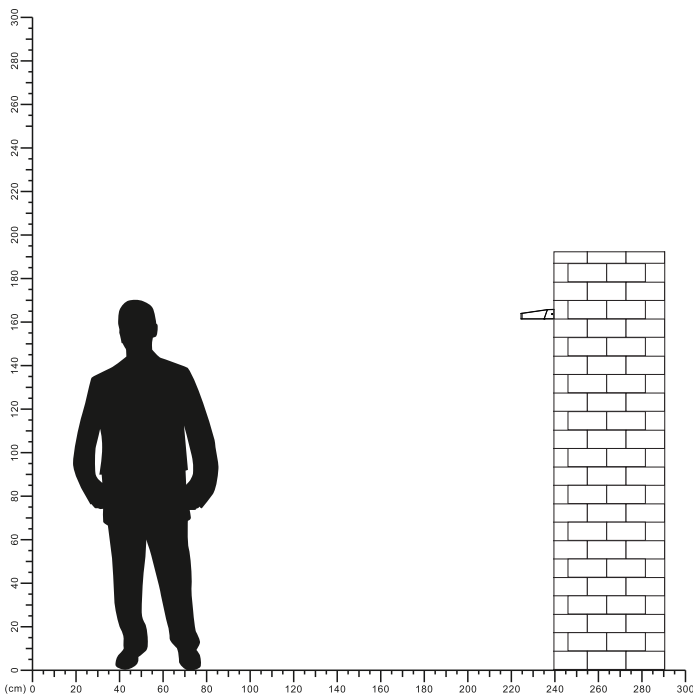


Description:
LED Outdoor Wall Lamp

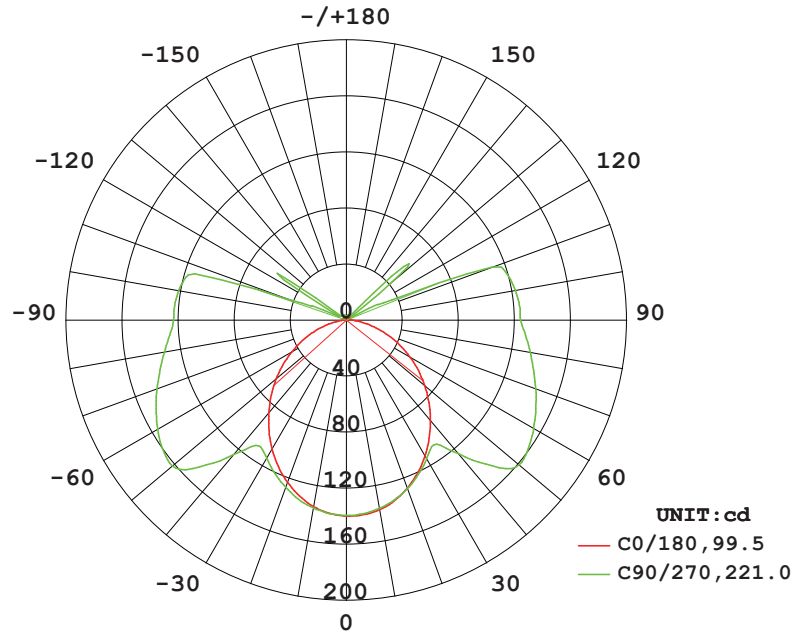
Main material:
Aluminum+Engineering plastics

Specification
Energy saving, up to 85% energy saving comparing to standard halogen and incandescent lamps
High quality light, high color rendering, less heat, no UV or IR radiation
Build-in LED Driver
IP65

Applications
. Park
. Square
. Tourist attraction
. Corridor

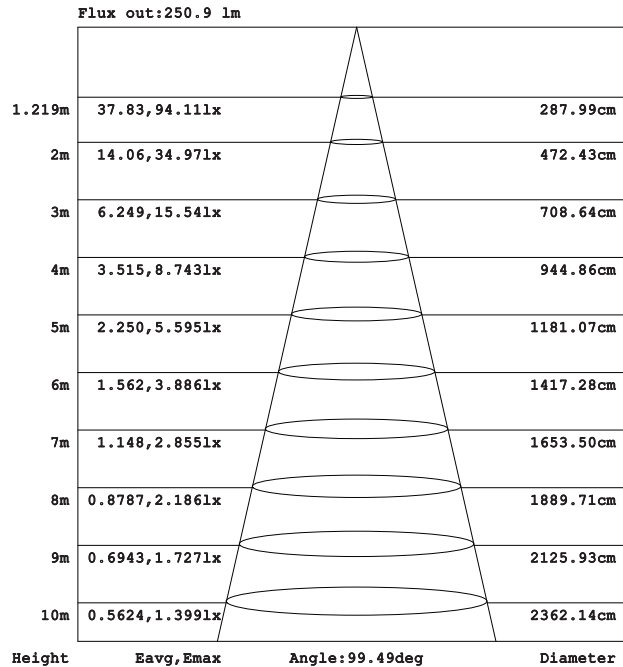


LUMINOUS INTENSITY DISTRIBUTION DIAGRAM

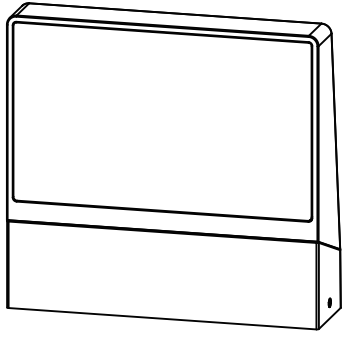


AVERAGE BEAM ANGLE (50%) : 160.2 DEG

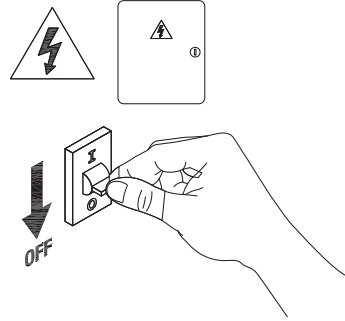
Illuminance at a Distance



Note: The Curves indicate the illuminated area and the average illumination when the luminaire is at different distance.

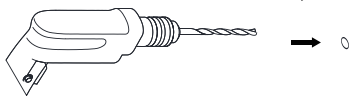


1



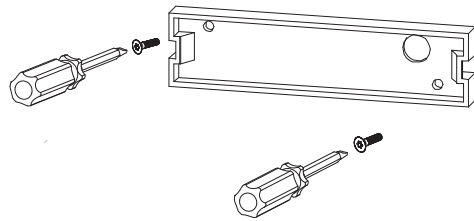
2

Turn off the power



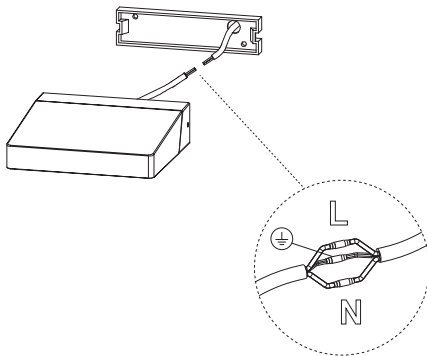
3

Drill two screw holes on the wall



4

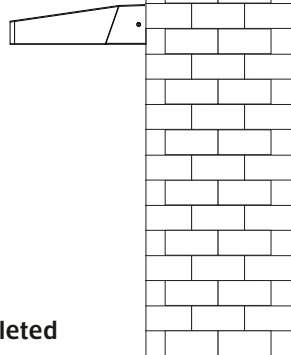
Install the base plate



Connect Cable

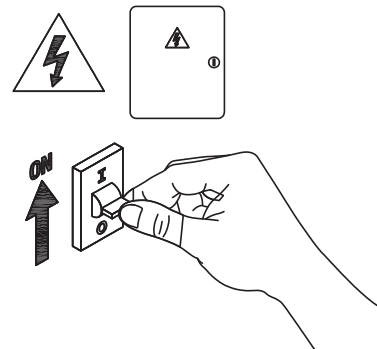


Mounting bottom box



5

Installation completed



6

Turn on power

