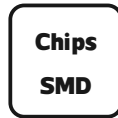
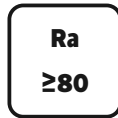


## LED Tri-proof Light

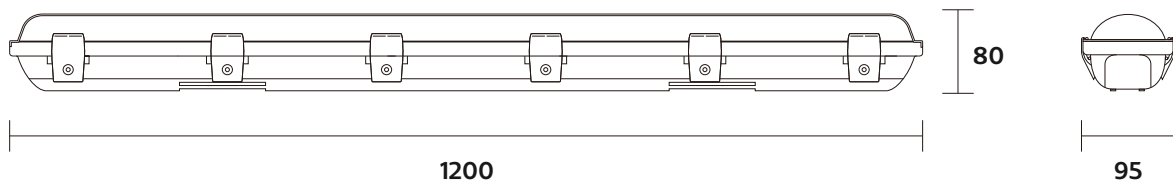
NRP-3FD-36

IP65



Item Code	P(W)	CCT(K)	LM/W	Total Lumen	Beam Angle	kg
NRP-3FD-36	36	3000/4000/6500	160	5760	120°	1.51

### Dimensions in mm





**Description:**

LED Tri-proof Light

**Main material:**

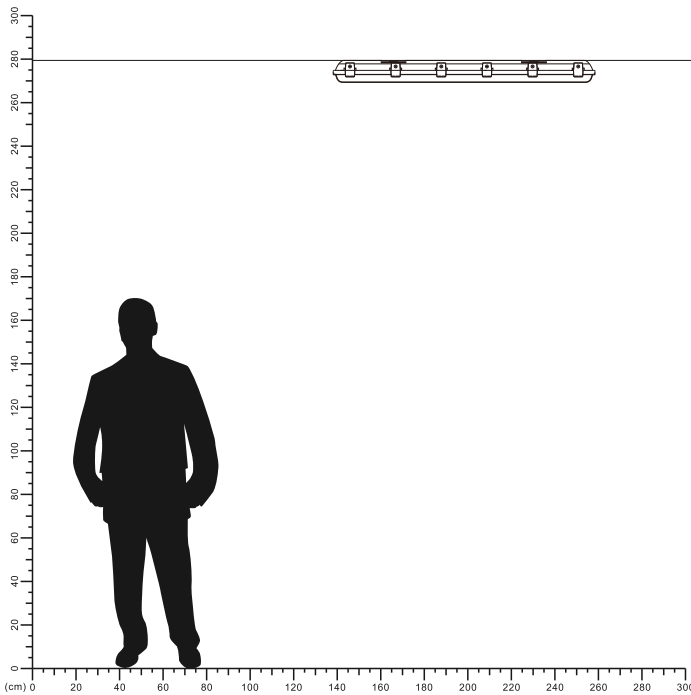
Engineering plastics

**Specification:**

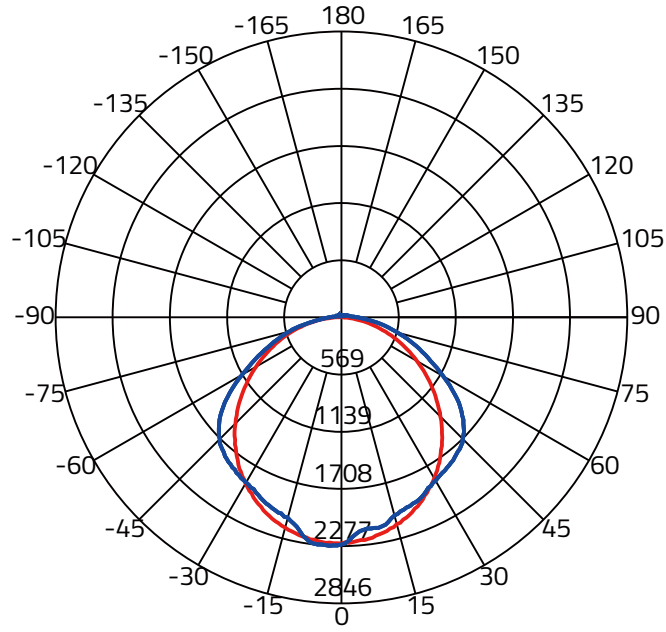
Energy saving, up to 85% energy saving comparing to standard halogen and in candescent lamps High quality light, High color rendering, less heat, no UV or IR radiation  
Build-in LED driver.

**Applications**

- .Kitchen
- .Courtyard
- .Supermarket



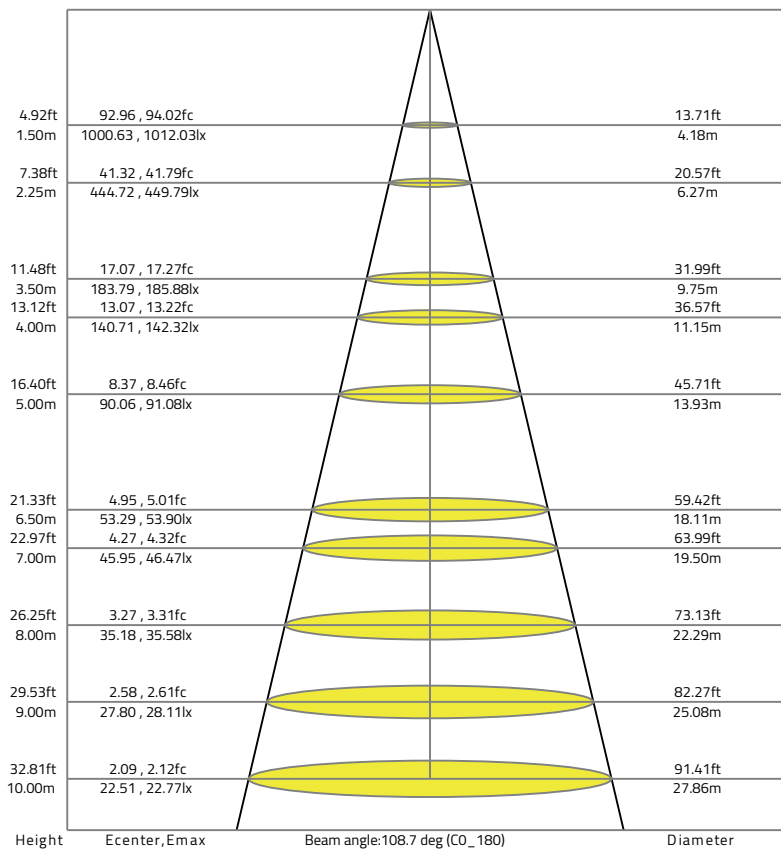
# LUMINOUS INTENSITY DISTRIBUTION DIAGRAM



Beam Angle (50%) C0-180,C90-270: 108.7 deg,120.7 deg

C0-180 ——— C90-270 ———

## Illuminance at a Distance



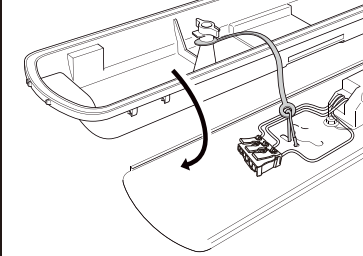
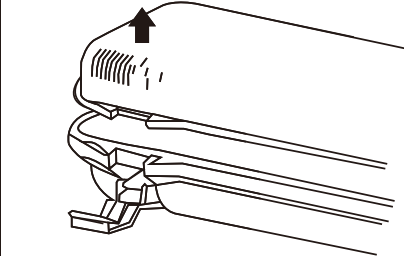
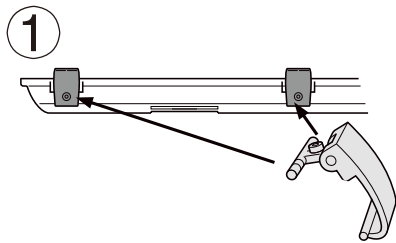
# LED Tri-proof Light

## Installation Guide

**! WARNING**

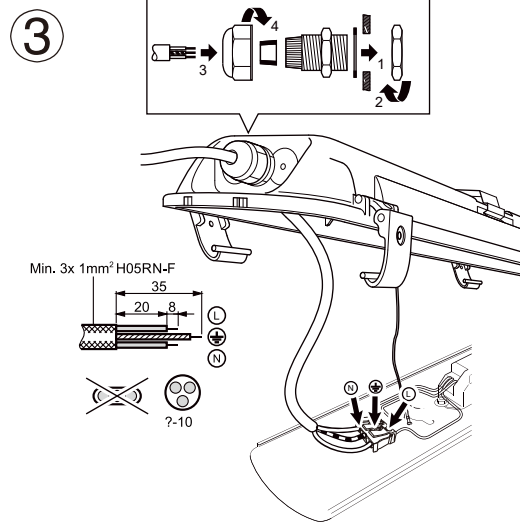
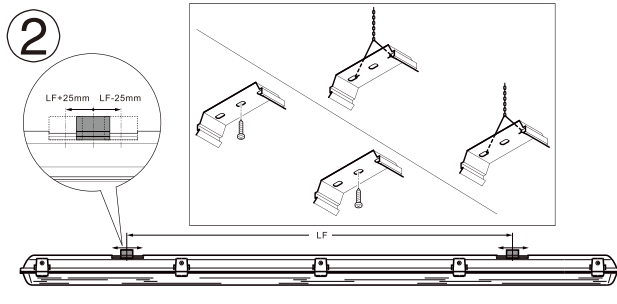
1. Turn power off before inspection, installation or removal.
2. The installation should be performed by qualified electricians or lighting technicians.
3. Before conducting any installation, maintenance, or removal, disable all power to the luminaires and wait until the fixture cool down.
4. Do not touch the fixture while it is in service.
5. If there is any problem with the fixture, DO turn off power and DO NOT attempt repair unless you are a qualified technician or the customer service member.

Carefully remove the PC cover through opening the metal clip, then remove aluminum plate through rotating the plastic knob

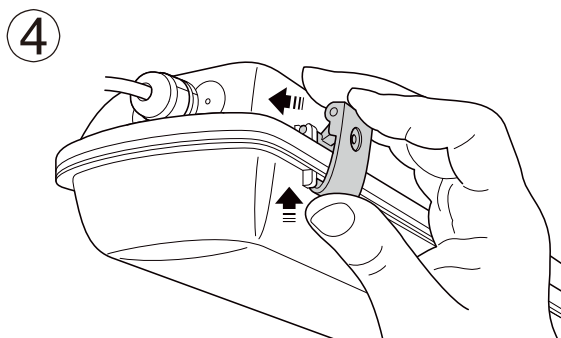


Screw two pieces metal bracket (packed in the accessory bag) to ceiling; install the housing to the metal bracket.

Install the end cap, connect wiring to terminal block of the light through the cable entry hole.



Re-install the aluminum plate and PC cover to the housing.



Fasten the metal clips.

