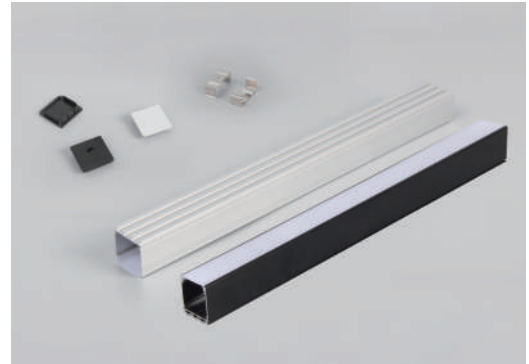


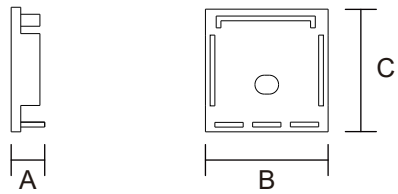
## Aluminum Profile

PXG-2626 Series  
IP20

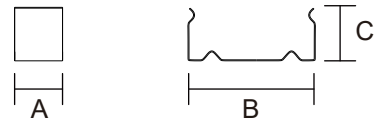


Item Code	Thickness (mm)	Frame Color	Material	Dimensions in mm				kg
				A	B	C	D	
PXG-2626	1	Silver	Aluminum	4000	26	26	22	0.80
PXG-2626-BK	1	Black	Aluminum	4000	26	26	22	0.80
PXG-2626-ACS	0.2	Silver	Stainless steel	10	27	11	\	0.01
PXG-2626-CAP	\	White	PC	7	26	26	\	0.01
PXG-2626-BK-CAP	\	Black	PC	7	26	26	\	0.01
PXG-2626-PC	1	White	PC	4000	24	4	\	0.10

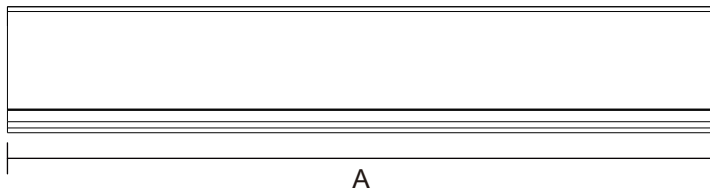
### Dimensions in mm



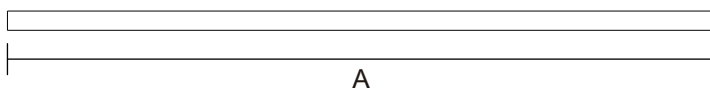
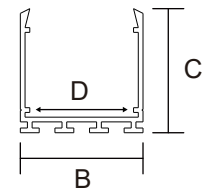
Item Code:PXG-2626-CAP



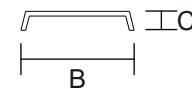
Item Code:PXG-2626-ACS



Item Code:PXG-2626



Item Code:PXG-2626-PC

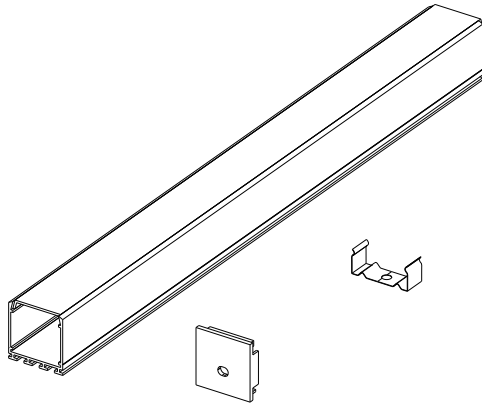


**High Quality Aviation Aluminium Profiles**

The profile is made of aviation aluminum, which is easy to process and has good wear resistance, corrosion resistance and oxidation resistance.

PC Cover

AlumInlum

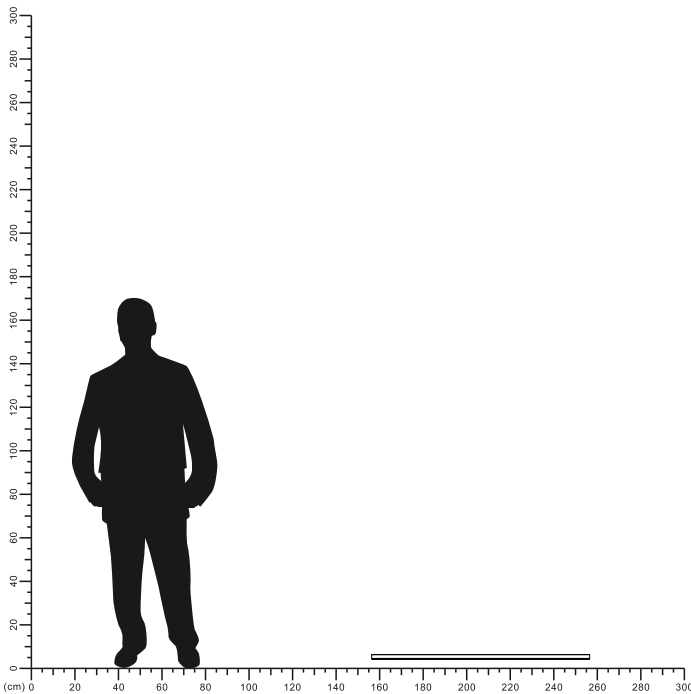


**Description:**  
Aluminum Profile

**Main material:**  
Engineering plastics+Aluminum

**Specification**  
Simple and elegant, beautiful, with the use of lamp belt can make the whole room atmosphere upgrade grade IP20

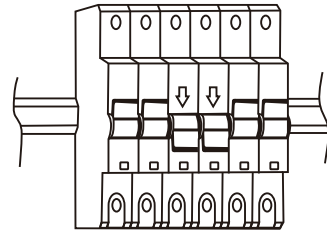
**Applications**  
•The Ground  
•The Wall  
•The ceiling





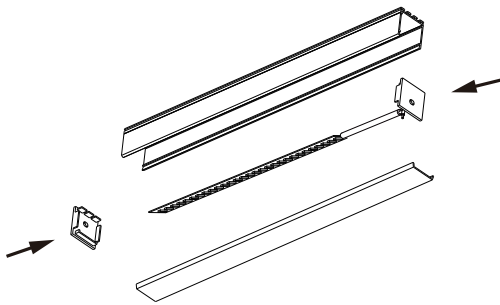
**NOTE:**

1. The installation of the product must be a professional electrician
2. The light source contained in this luminaire shall only be replaced by the manufacturer who is service agent or a similar qualified person.
3. Luminaire only suitable for indoor use.



Turn Off

First, you make sure the power is off.

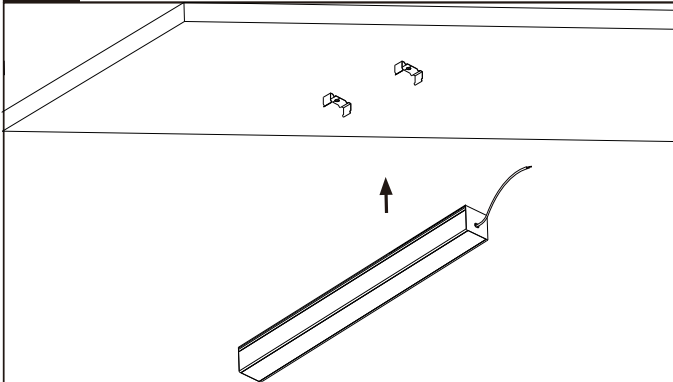
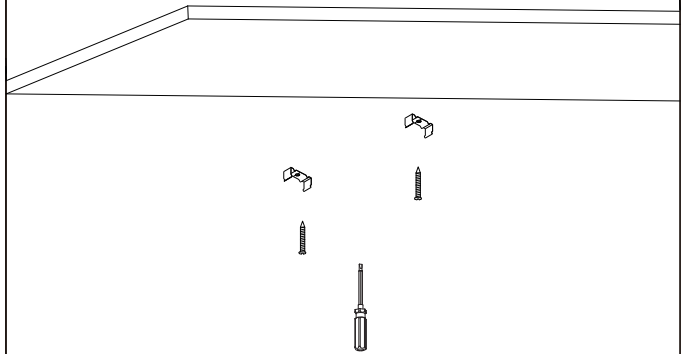


**1**

install the strip light into the aluminum profile, then put the cap install to the both side, finally install the PC cover.

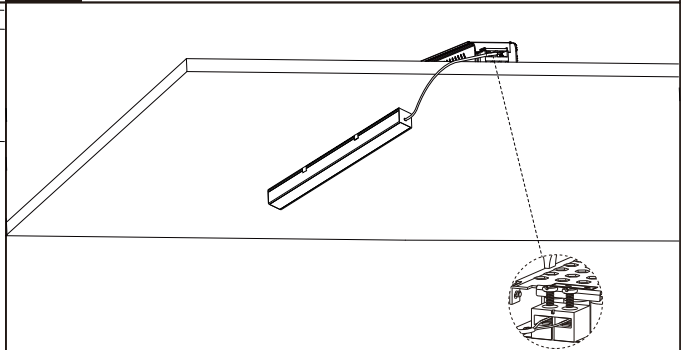
**2**

Install aluminum clasps



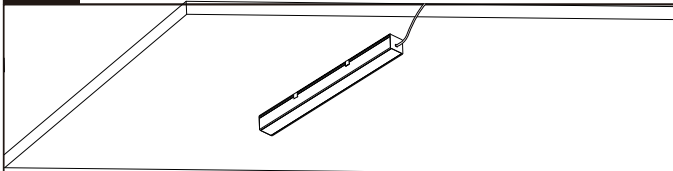
**3**

Insert the aluminum into the clasp



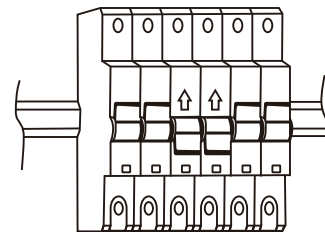
**4**

Connect the cable



**5**

Installation completed



Turn On

