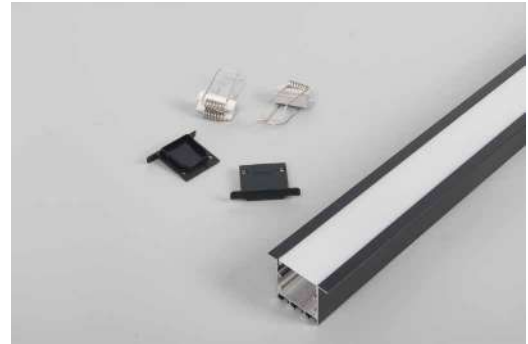
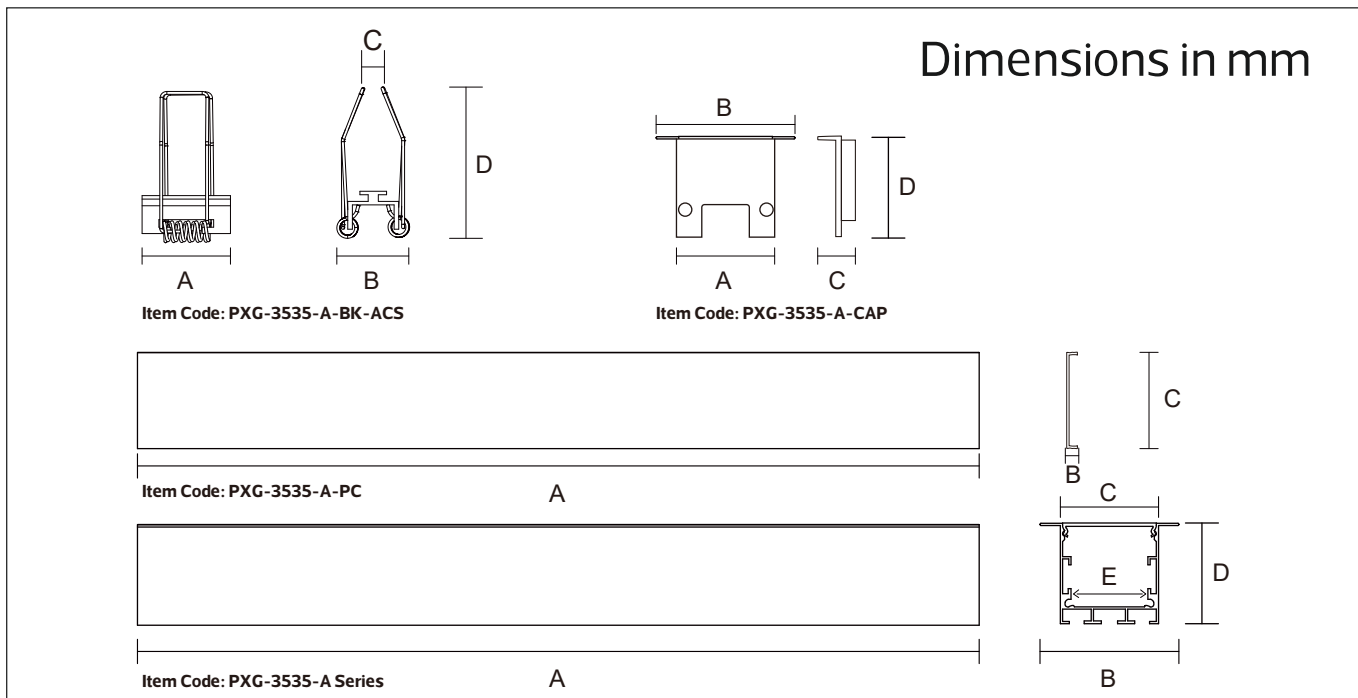


Aluminum Profile

PXG-3535-A Series
IP20

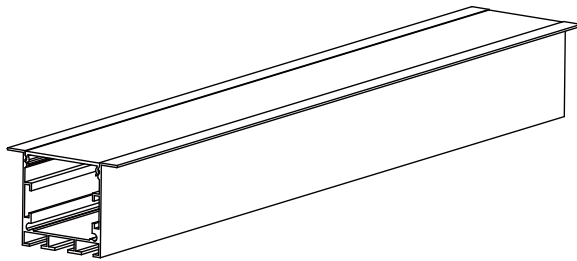
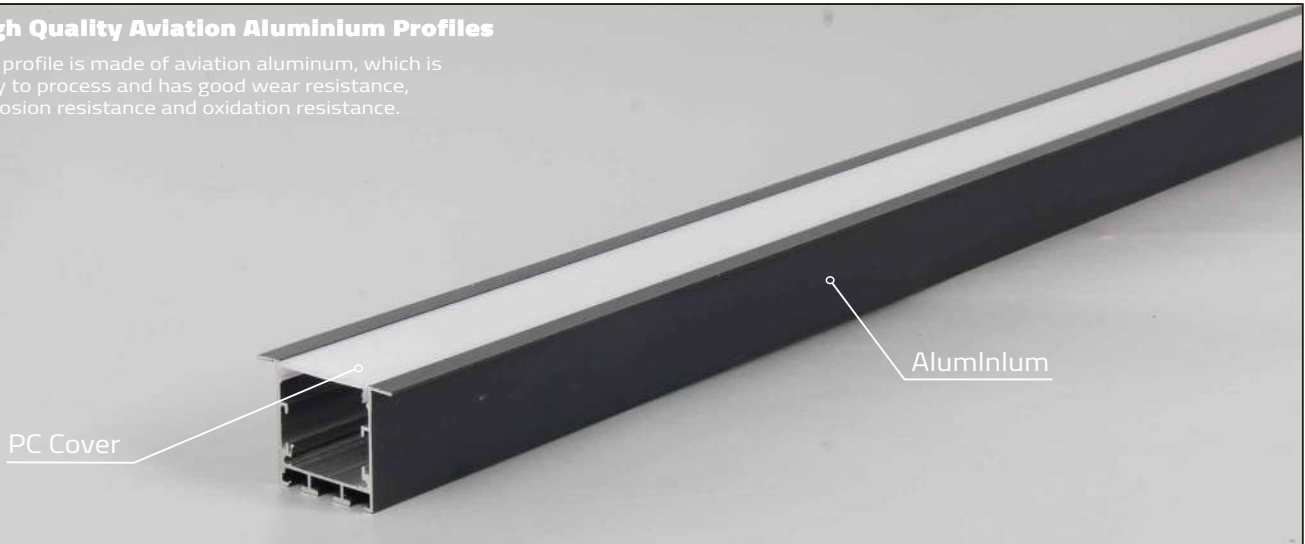


Item Code	Thickness (mm)	Frame Color	Material	Dimensions in mm					kg
				A	B	C	D	E	
PXG-3535-A	1	Silver	Aluminum	4000	50	35	36	27	2.1
PXG-3535-A-BK	1	Black	Aluminum	4000	50	35	36	27	2.1
PXG-3535-A-PC	\	Milky white	PC	4000	5	32	\	\	0.2
PXG-3535-A-BK-ACS	\	Silver	Aluminum+Iron	30.5	25	5	52	\	0.02
PXG-3535-A-CAP	\	Silver/Black	PC	35	50	12	35	\	0.003



High Quality Aviation Aluminum Profiles

The profile is made of aviation aluminum, which is easy to process and has good wear resistance, corrosion resistance and oxidation resistance.

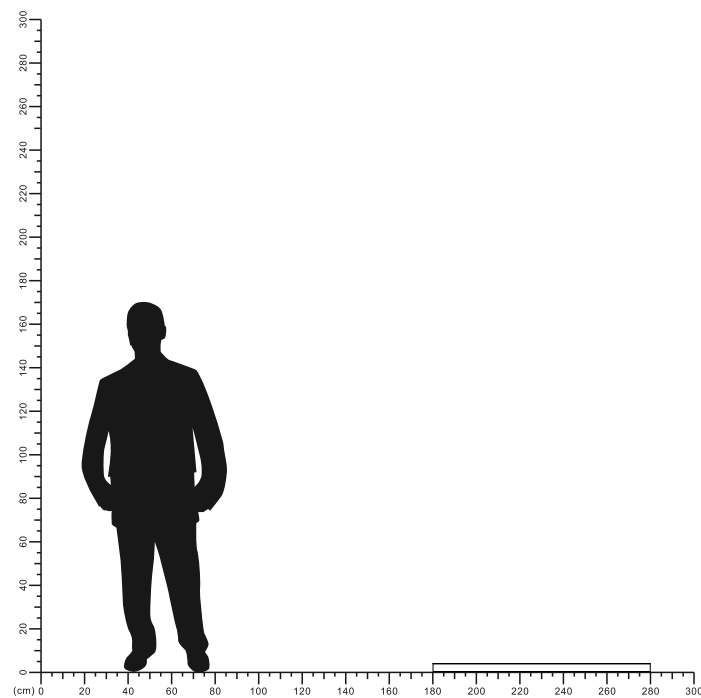


Description:
Aluminum Profile

Main material:
Engineering plastics+Aluminum

Specification
Simple and elegant, beautiful, with the use of lamp belt can make the whole room atmosphere upgrade grade IP20

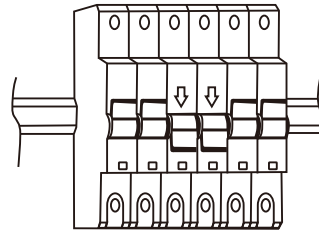
Applications
•The Ground
•The Wall
•The ceiling





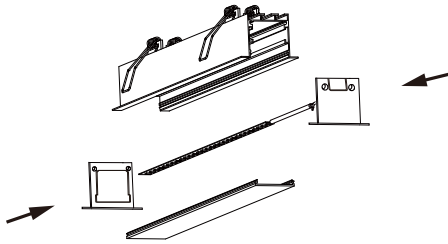
NOTE:

1. The installation of the product must be a professional electrician
2. The light source contained in this luminaire shall only be replaced by the manufacturer who is service agent or a similar qualified person.
3. Luminaire only suitable for indoor use.



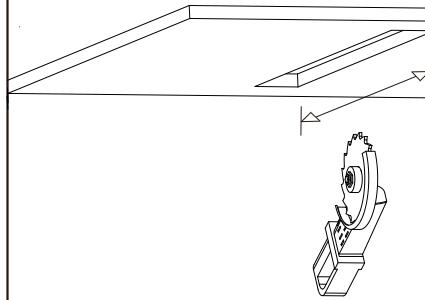
Turn Off

First, you make sure the power is off.



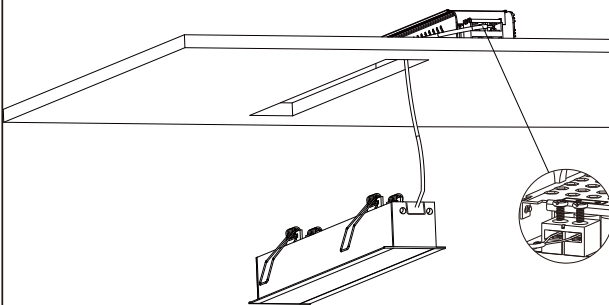
1

install the strip light into the aluminum profile, then put the cap install to the both side, finally install the PC cover.



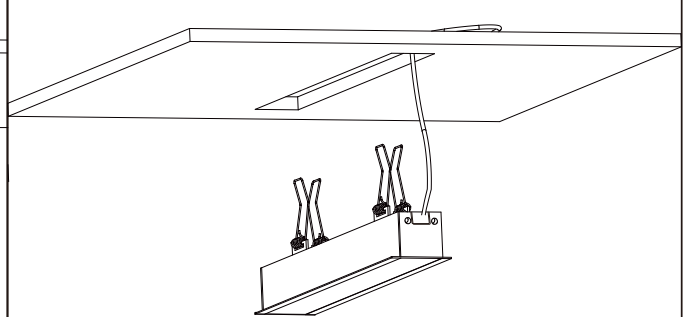
2

Grooves according to size



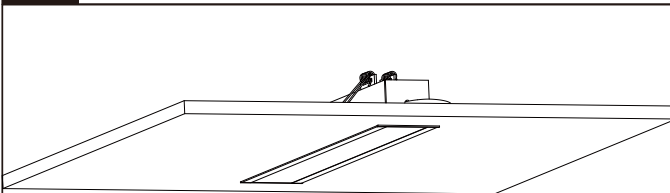
3

Connect the cable



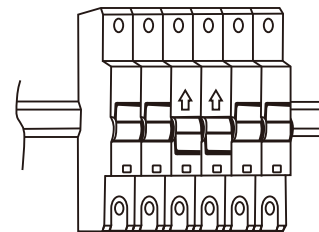
4

Release the spring and fix it in the groove



5

Installation completed



Turn On

