

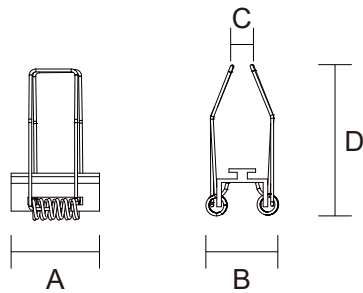
## Aluminum Profile

PXG-3535-A-4m  
IP20

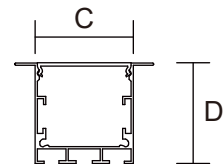
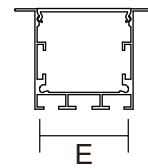


| Item Code       | Thickness (mm) | Frame Color | Material      | Dimensions in mm |    |    |    |    | kg   |
|-----------------|----------------|-------------|---------------|------------------|----|----|----|----|------|
|                 |                |             |               | A                | B  | C  | D  | E  |      |
| PXG-3535-A-4m   | 1              | Silver      | Aluminum      | 4000             | 49 | 34 | 36 | 31 | 2.1  |
| PXG-3535-HOLDER | 1.5            | Silver      | Aluminum+Iron | 30.5             | 25 | 5  | 52 |    | 0.02 |

### Dimensions in mm



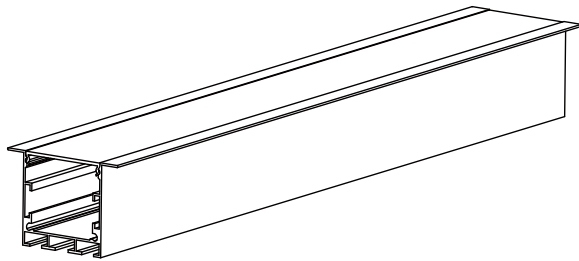
Item Code : PXG-3535-HOLDER



Item Code : PXG-3535-A-4m

**High Quality Aviation Aluminium Profiles**

The profile is made of aviation aluminum, which is easy to process and has good wear resistance, corrosion resistance and oxidation resistance.

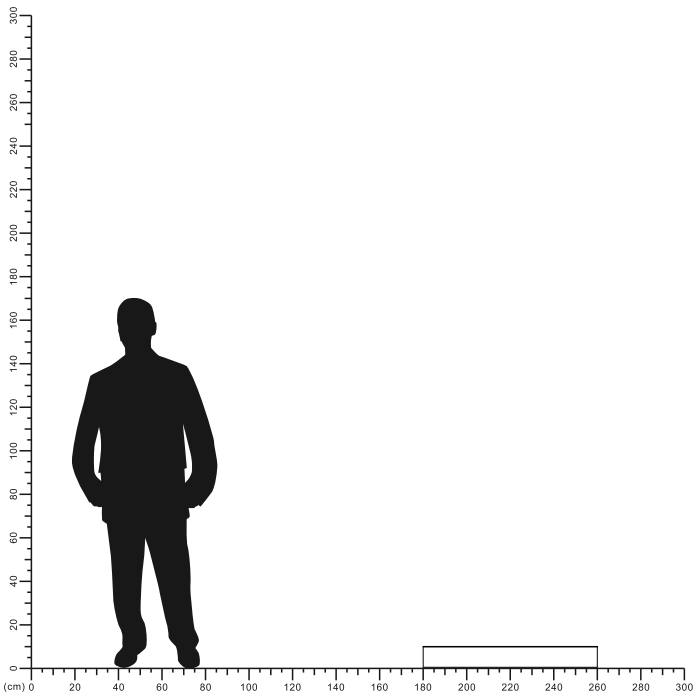


**Description:**  
Aluminum Profile

**Main material:**  
Engineering plastics+Aluminum

**Specification**  
Simple and elegant, beautiful, with the use of lamp belt can make the whole room atmosphere upgrade grade IP20

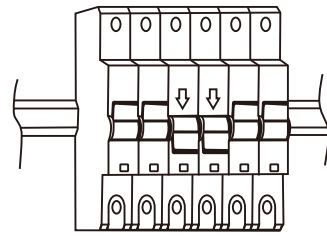
**Applications**  
•The Ground  
•The Wall  
•The ceiling





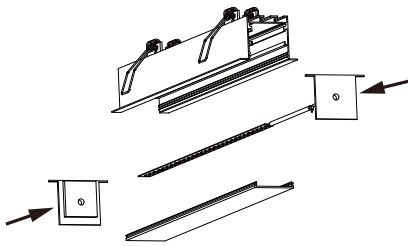
**NOTE:**

1. The installation of the product must be a professional electrician
2. The light source contained in this luminaire shall only be replaced by the manufacturer who is service agent or a similar qualified person.
3. Luminaire only suitable for indoor use.



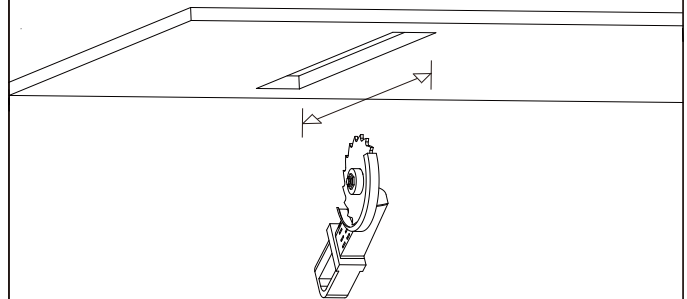
Turn Off

First, you make sure the power is off.



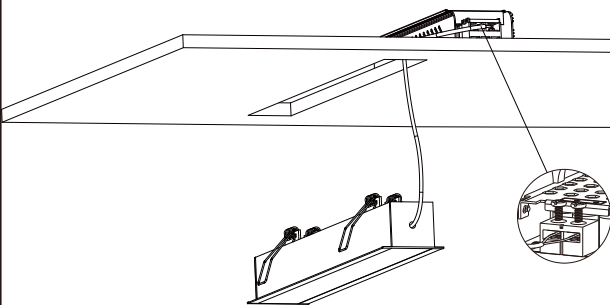
1

install the strip light into the aluminum profile, then put the cap install to the both side, finally install the PC cover.



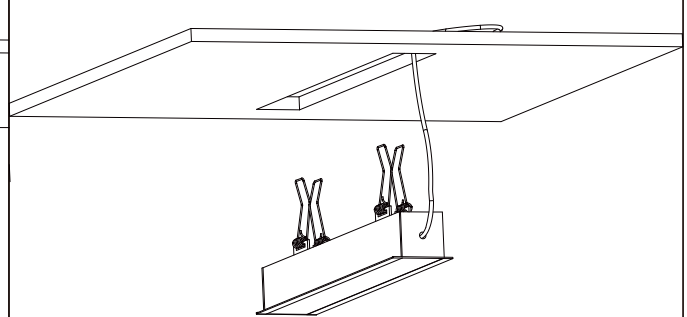
2

Grooves according to size



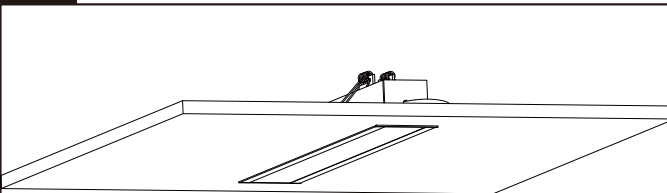
3

Connect the cable



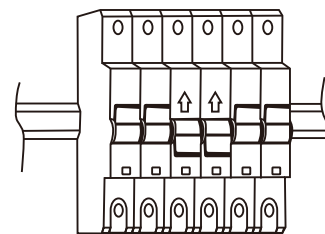
4

Release the spring and fix it in the groove



5

Installation completed



Turn On

