

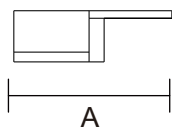
Aluminum Profile

PXG-618 Series
IP20

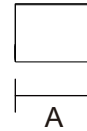
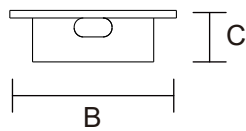


Item Code	Thickness (mm)	Frame Color	Material	Dimensions in mm					kg
				A	B	C	D	E	
PXG-618	1	Silver	Aluminum	4000	21	7	12	16	0.30
PXG-618-BK	1	Black	Aluminum	4000	21	7	12	16	0.30
PXG-618-ACS	0.2	Silver	Stainless steel	10	17	7	\	\	0.01
PXG-618-CAP	\	White	PC	20	22	6	\	\	0.01
PXG-618-CAP-BK	\	Black	PC	20	22	6	\	\	0.01
PXG-618-PC	1	White	PC	4000	7	4	\	\	0.05

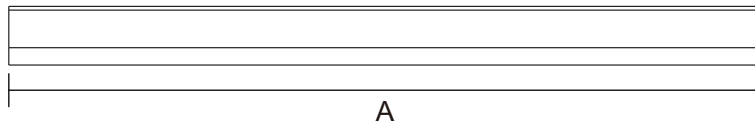
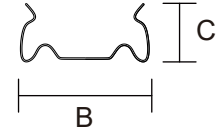
Dimensions in mm



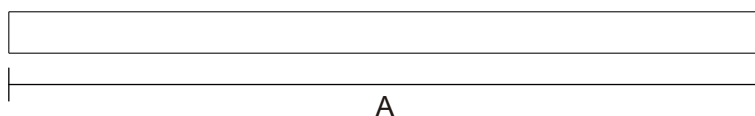
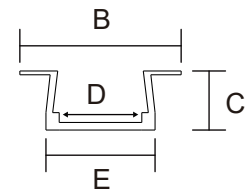
Item Code:PXG-618-CAP



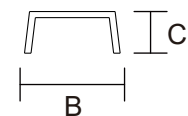
Item Code:PXG-618-ACS



Item Code:PXG-618



Item Code:PXG-618-PC

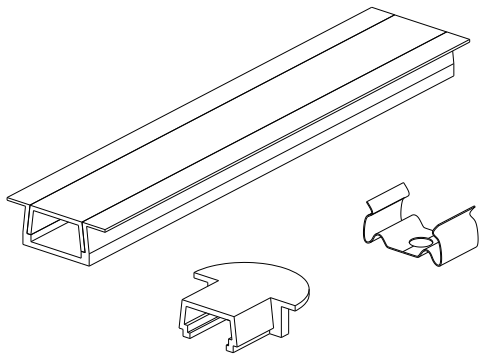
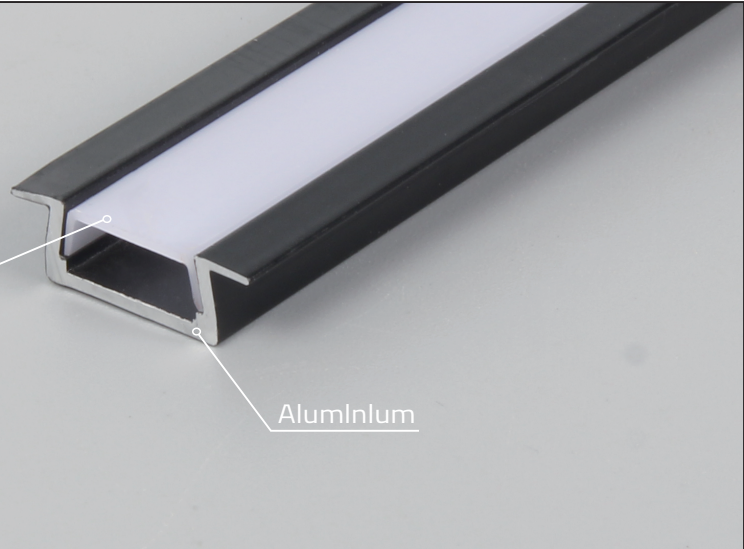


High Quality Aviation Aluminium Profiles

The profile is made of aviation aluminum, which is easy to process and has good wear resistance, corrosion resistance and oxidation resistance.

PC Cover

Aluminum

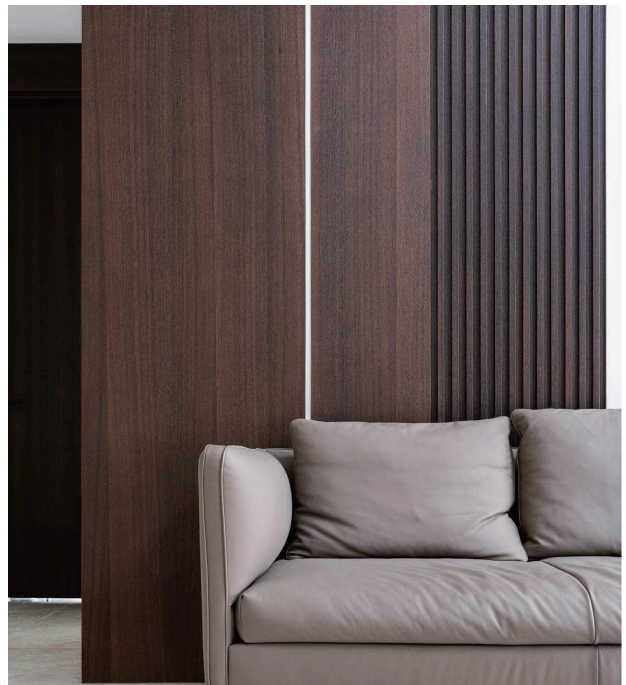
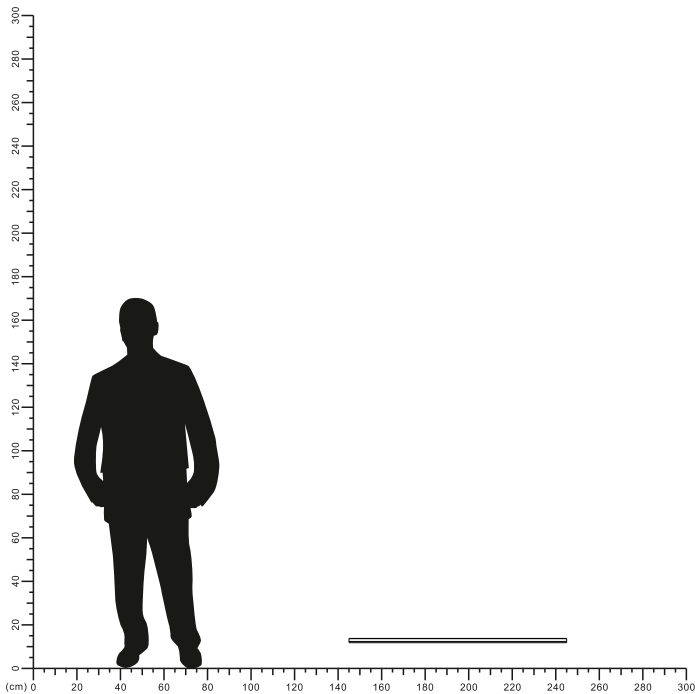


Description:
Aluminum Profile

Main material:
Engineering plastics+Aluminum

Specification
Simple and elegant, beautiful, with the use of lamp belt can make the whole room atmosphere upgrade grade IP20

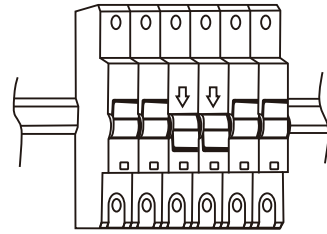
Applications
•The Ground
•The Wall
•The ceiling





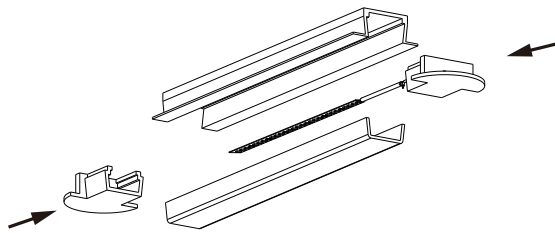
NOTE:

1. The installation of the product must be a professional electrician
2. The light source contained in this luminaire shall only be replaced by the manufacturer who is service agent or a similar qualified person.
3. Luminaire only suitable for indoor use.



Turn Off

First, you make sure the power is off.

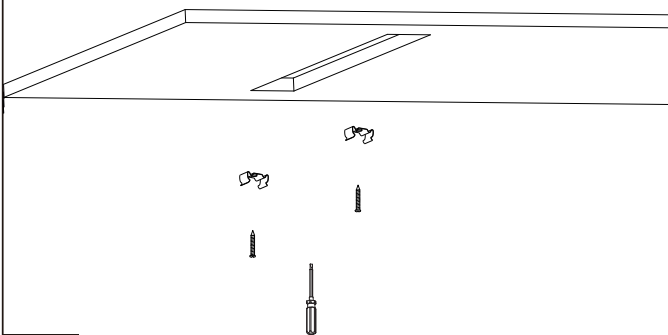
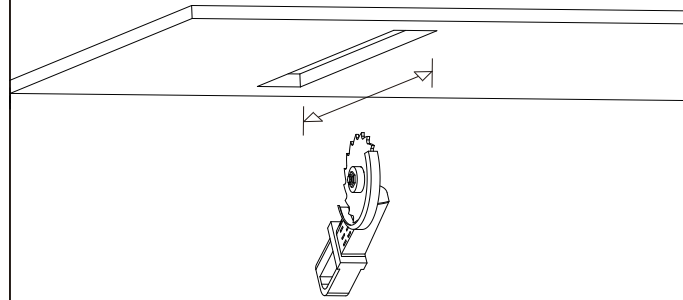


1

install the strip light into the aluminum profile, then put the cap install to the both side, finally install the PC cover.

2

Grooves according to size

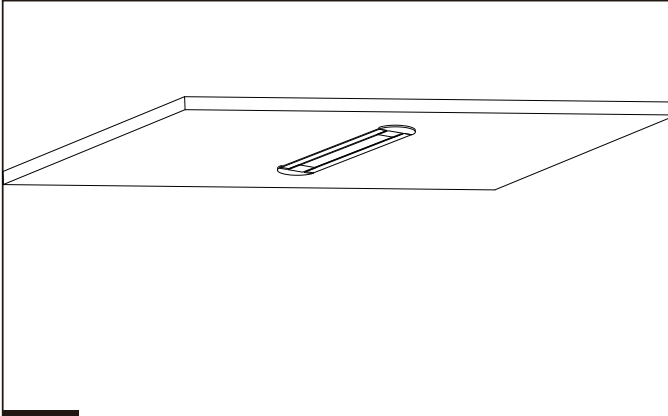
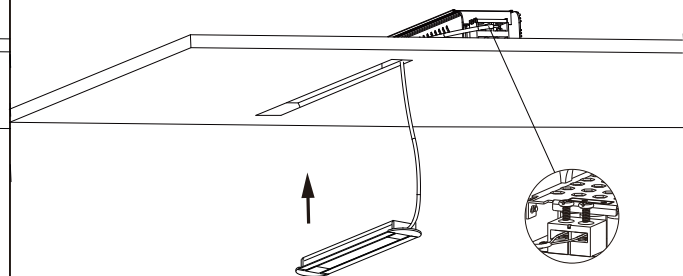


3

Install aluminum clasps

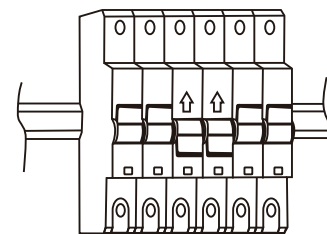
4

Connect the cable and snap the aluminum into the clasp



5

Installation completed



Turn On

