

## Aluminum Profile

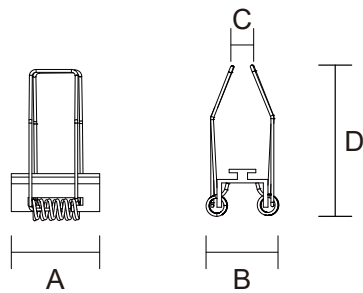
PXG-XT-226

IP20

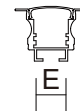


Item Code	Thickness (mm)	Frame Color	Material	Dimensions in mm					kg
				A	B	C	D	E	
PXG-XT-226	0.8	Silver	Aluminum	4000	25	11.5	19	10.5	0.8
PXG-XT-226-HOLDER	1.5	Silver	Aluminum+Iron	30.5	25	5	52		0.02

### Dimensions in mm



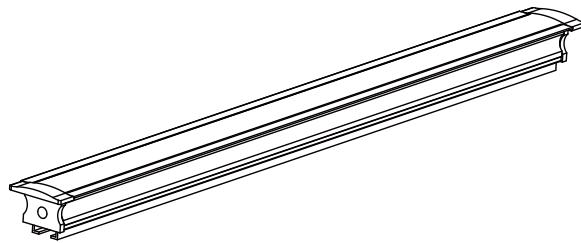
Item Code : PXG-XT-226-HOLDER



Item Code : PXG-XT-226

**High Quality Aviation Aluminium Profiles**

The profile is made of aviation aluminum, which is easy to process and has good wear resistance, corrosion resistance and oxidation resistance.

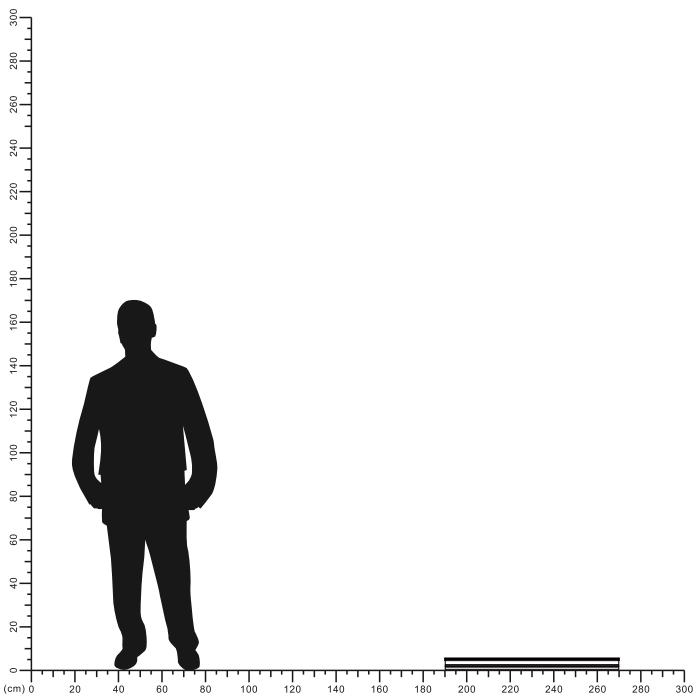


**Description:**  
Aluminum Profile

**Main material:**  
Engineering plastics+Aluminum

**Specification**  
Simple and elegant, beautiful, with the use of lamp belt can make the whole room atmosphere upgrade grade IP20

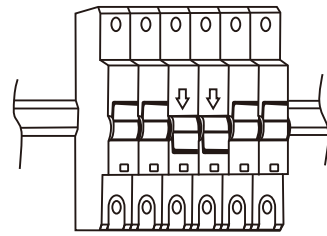
**Applications**  
•The Ground  
•The Wall  
•The ceiling





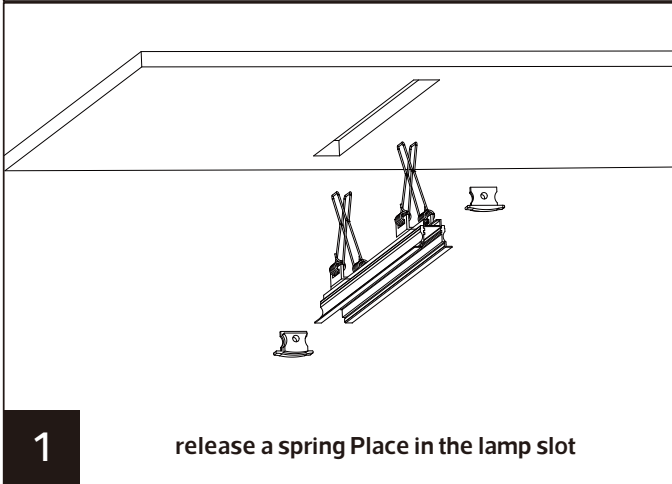
**NOTE:**

1. The installation of the product must be a professional electrician
2. The light source contained in this luminaire shall only be replaced by the manufacturer who is service agent or a similar qualified person.
3. Luminaire only suitable for indoor use.



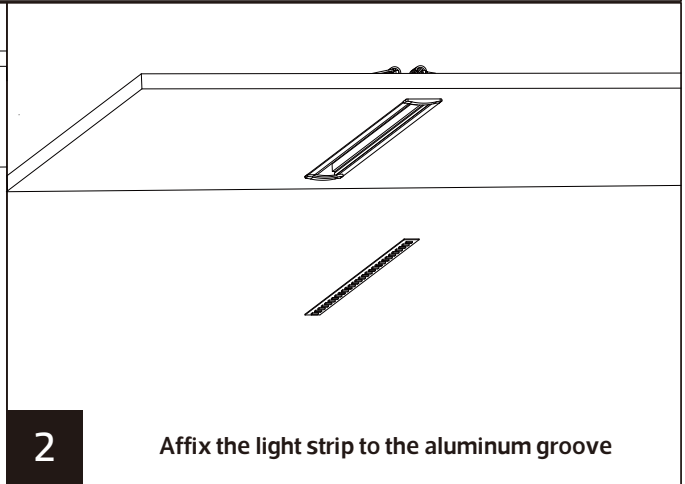
Turn Off

First, you make sure the power is off.



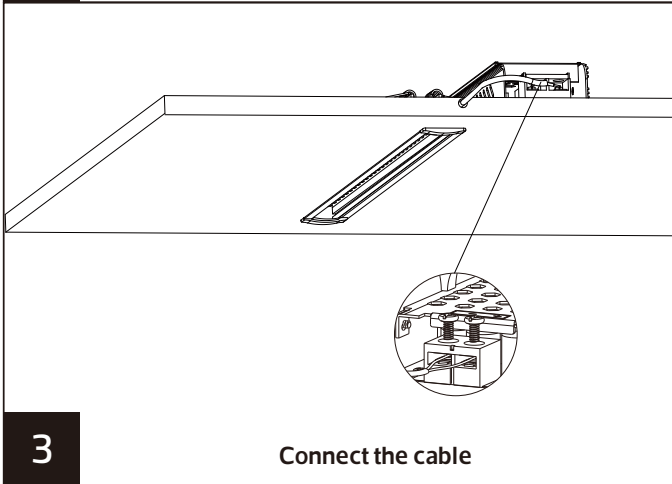
1

release a spring Place in the lamp slot



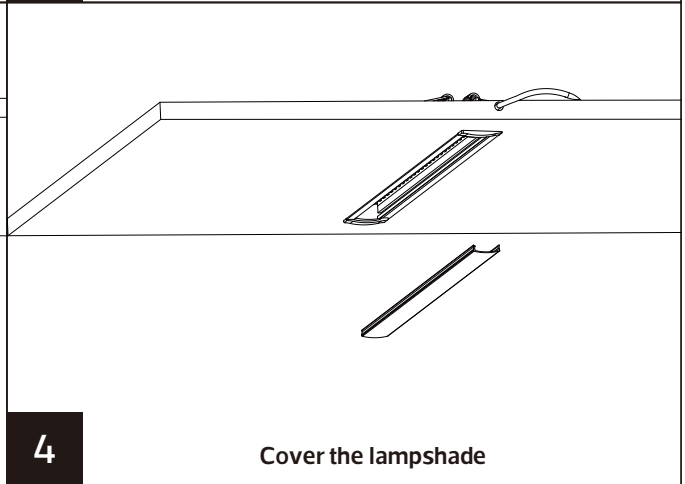
2

Affix the light strip to the aluminum groove



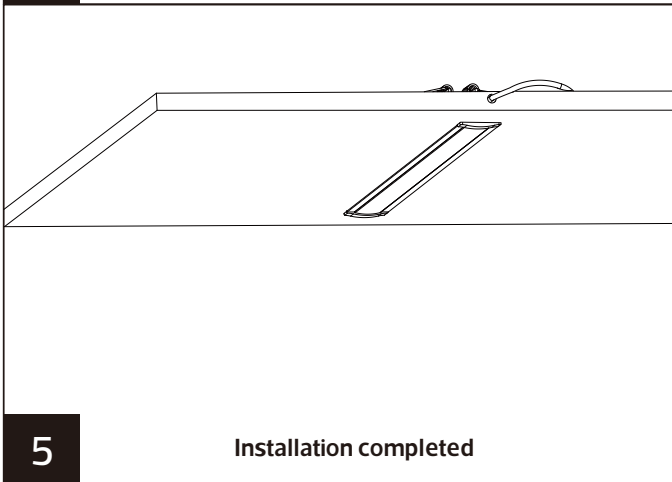
3

Connect the cable



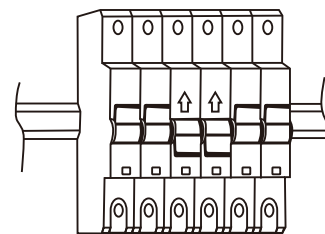
4

Cover the lampshade



5

Installation completed



Turn On

