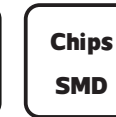
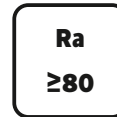
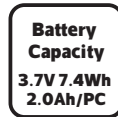


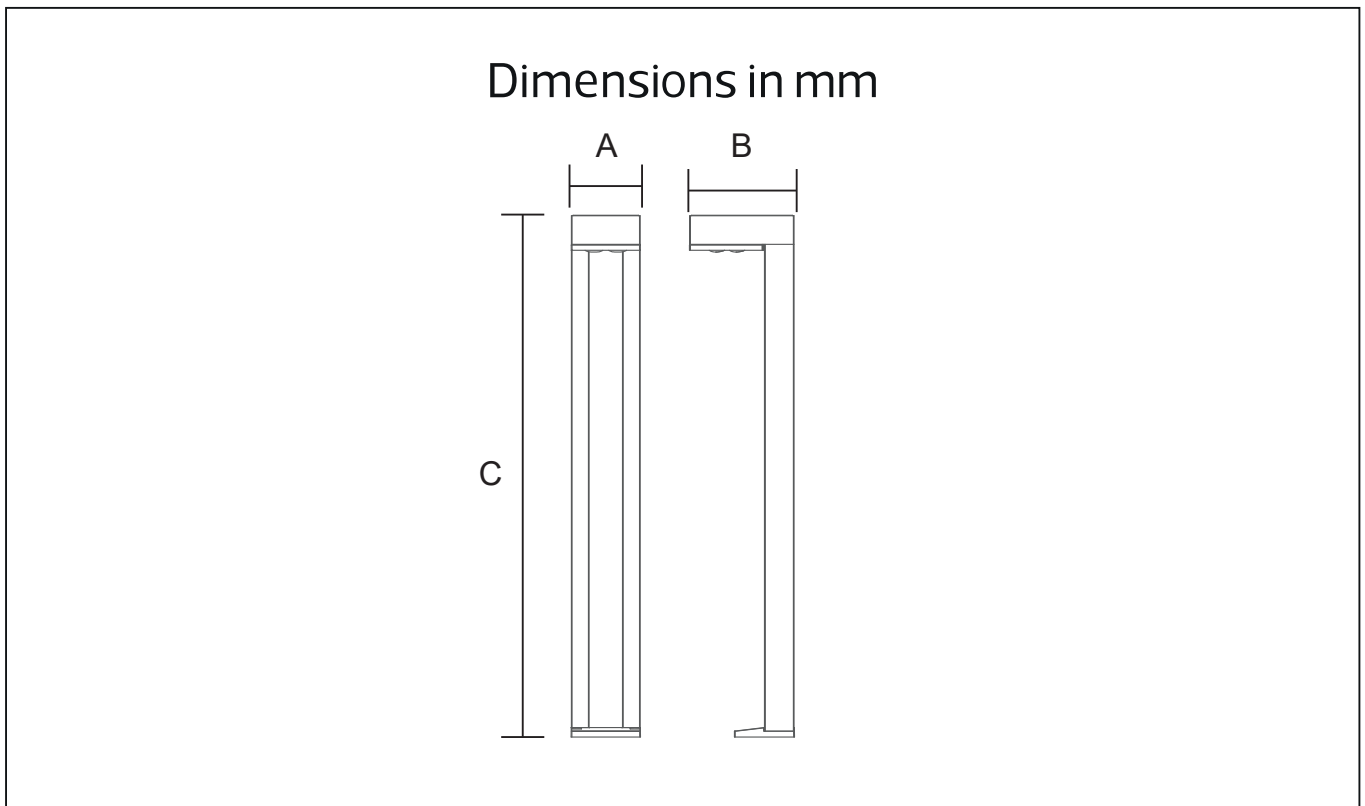
Solar LED Outdoor Garden Light

SGL-07MAX

IP64/IK10



Item Code	P(W)	CCT(K)	Dimensions in mm			kg
			A	B	C	
SGL-07 MAX	1	3000	70	106	530	0.63





Description:

Solar LED Outdoor Garden Light

Main material:

Die-cast aluminum

Specification

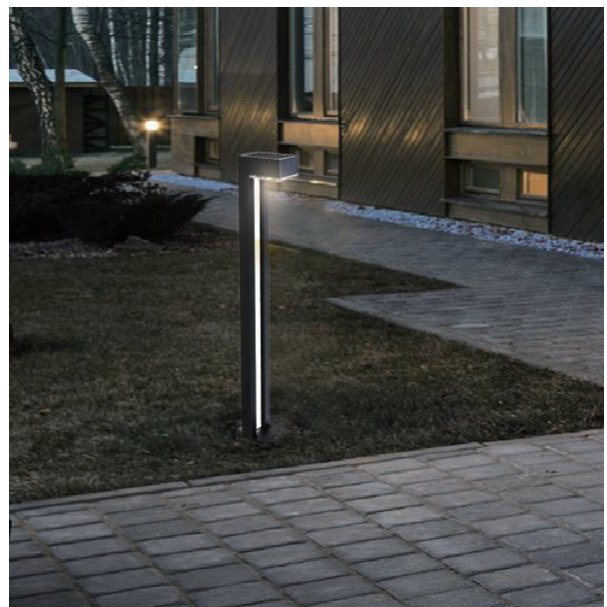
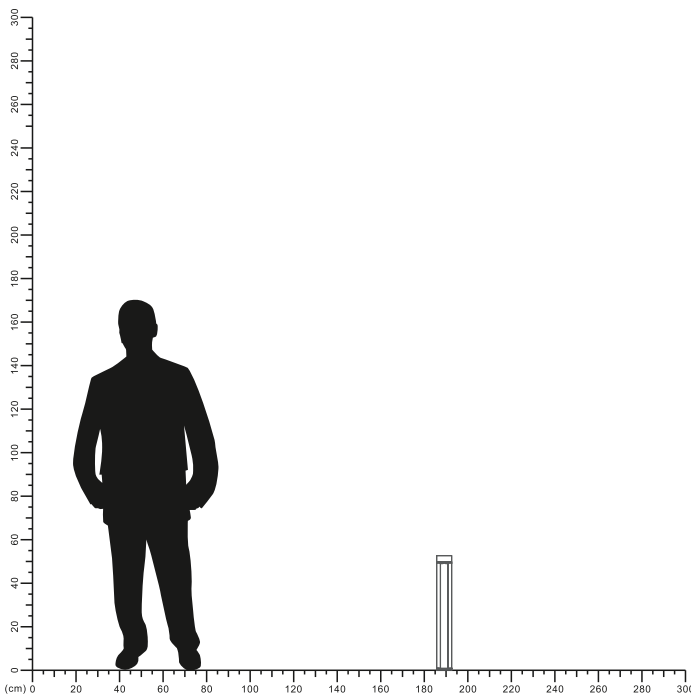
Energy saving, up to 85% energy saving comparing to standard halogen and incandescent lamps High quality light, high color rendering, less heat, no UV or IR radiation

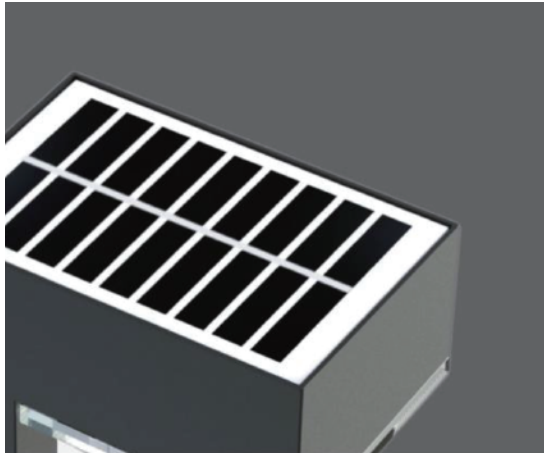
LED driver is included

IP 64

Applications

- . Park
- . Square
- . Corridor

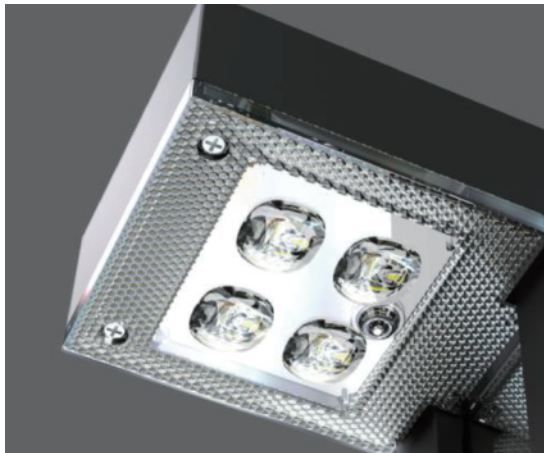




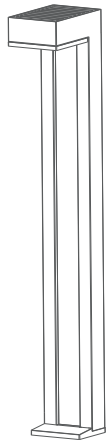
Solar Charging Efficient
cy:



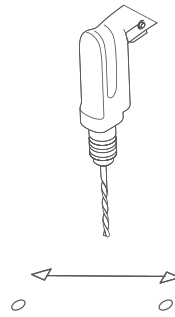
Glass



High Lumen LEDs
190lm/W Switch

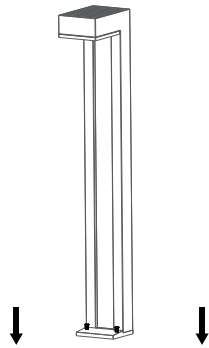


1



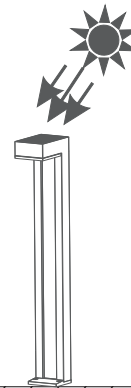
2

Drill two screw holes on the ground



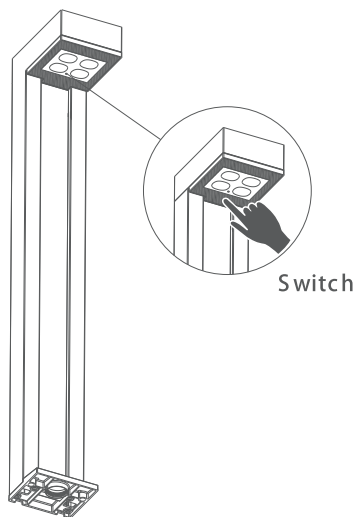
3

Installation completed.



4

Keep the solar panel towards the sun to ensure



5

