

Smart Switch

T-series

Technical specification

**Electrical:**

WiFi 2.4Ghz 802.11 b/g/n Only  
110~240V 50/60Hz

Max Output:  
500W LED,500W CFL,800W INC

**Physical:**

Operating Temperature:-5°C~50°C

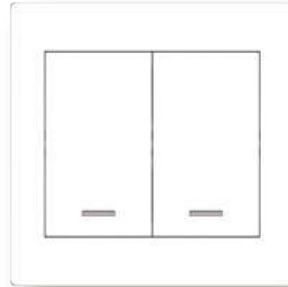
IP Rated:IP20

Max Installation Altitude:≤2000M

**Description**

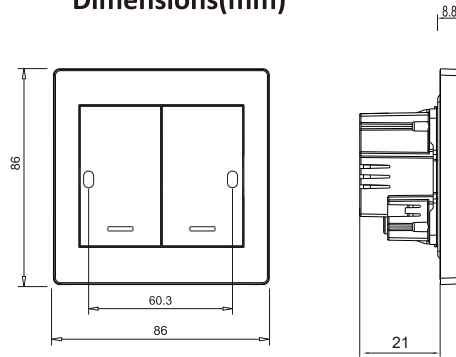
A smart switch is a network-connected smart device typically used to control lighting, appliances, and other electrical devices in homes or offices.

Model:T1211

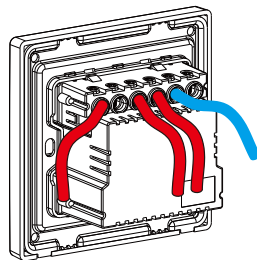


Smart Switch

Dimensions(mm)



Wiring Diagrams



Product Material

NO .	Name	Material	Specifications	Technical characteristics
1.	RockEr	PC	SABIC GE	Network connectivity: Smart switches connect to the home network via Wi-Fi, Bluetooth, or other wireless networking technologies, enabling remote control and monitoring capabilities.
2.	Surface frame	PC		
3.	Clamp plate	PC		
4.	PCB			Remote control: Users can remotely control smart switches through a mobile app or web interface, allowing them to operate household appliances without being physically present.
5.	PCB			
6.	Basebox cover	PC		Timer function: Smart switches feature scheduling capabilities, allowing users to pre-set specific times for appliances to automatically turn on or off, enhancing the level of home automation.
7.	Middle frame	Iron		

