

## Plate Switches

### T-series

#### Technical specification

##### Electrical

Voltage rating:  
250V a.c.50Hz-60Hz

Current rating:  
10 amps - no derating when used on fluorescent  
or inductive loads

20 amps - no derating when used on fluorescent  
or inductive loads

##### Terminal capacity:

4x1mm<sup>2</sup>  
4x1.5mm<sup>2</sup>  
3x2.5mm<sup>2</sup>  
2x4mm<sup>2</sup>  
1x6mm<sup>2</sup>

##### Contact gap:

3mm switch contact gap

##### Physical

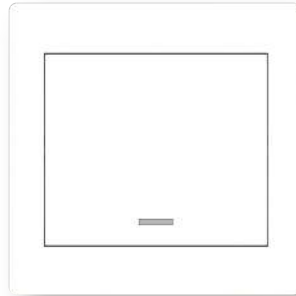
Operating temperature:  
-5°C to +50°C

IP rating:  
IP2XD

Max.installation altitude:  
2000 metres

Operational testing (all plate switches):  
tested to 100,000 operations for mechanical life  
tested to 40,000 operations at 10 amp rating  
tested to 10,000 operations at 20 amp rating

### Model:T1001



One gang switch  
One-WAY

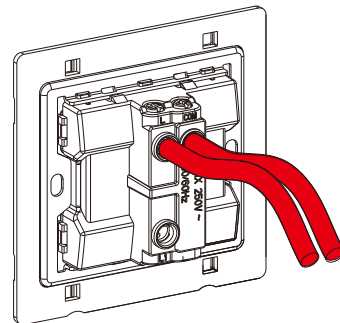
#### Cable Management

Logic Plus plateswitches can be mounted  
in a variety of NOORCO trunking systems

#### Description

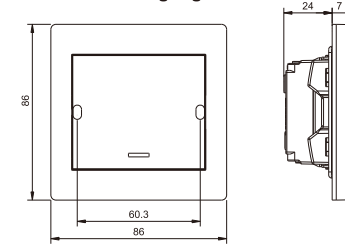
Logic Plus plateswitches are designed to  
blend in with the decor, whilst  
complementing a wide range of other Logic  
Plus accessories. They are designed for  
easy installation in plaster depth boxes and  
are suitable for controlling circuits in  
domestic, commercial and industrial  
applications.

#### Wiring instructions



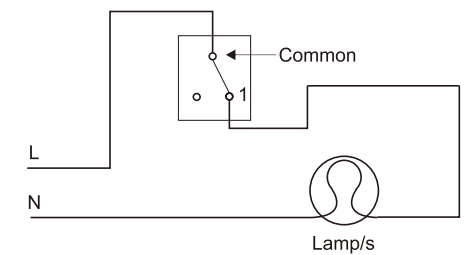
### Dimensions(mm)

#### 1 gang



### Wiring Diagrams

#### One-way switching



NO.	Name	Material	Specifications
1	Rocker	PC	SABIC GE plastics
2	Surface frame	PC	
3	Indicator cover	ABS	
4	Stir	PC	
5	Base	PC	
6	Middle frame	PC	
7	Cover	PC	
8	Copper cylinder	Brass	59 Copper particles
9	Silver alloy contact	Silver	Silver & Copper composite
10	Copper Rocker	Brass	Phosphor Copper
11	Screw	Iron	Carbon Steel
12	Sliding contact	Brass	Phosphor Copper

#### Technical characteristics

Can use in ocean weather and high temperature up to 130 celsius degree.  
PC material V0 inflaming retarding .Strong hygroscopicity, excellent strength  
and durability

Big copper connector 2.8 gram, moisture resistance and stand wear and tear .  
Difficult to make electrical spark ,our products can use in the moist weather  
Silver thickness 0.6mm, silver contact diameter 4.0mm, thickness 1.5mm,  
contact surface big .Improve the silver contact arc extinguishing performance ,  
reduce the electrical wear.Maintain low contact resistance

0.8mm thickness copper ,moisture resistance and stand wear and tear .  
Difficult to make electrical spark ,our products can use in the moist weathe.

4\*6.5mm screw ,make the cable very fastness, surface gold-plating, prevent  
oxidation, improve the electrical conductivity

High hardness ,wear-resisting

