

Plate Switches

T-series

Technical specification

Electrical

Voltage rating:
250V a.c.50Hz-60Hz

Current rating:
10 amps - no derating when used on fluorescent or inductive loads

20 amps - no derating when used on fluorescent or inductive loads

Terminal capacity:

- 4x1mm²
- 4x1.5mm²
- 3x2.5mm²
- 2x4mm²
- 1x6mm²

Contact gap:
3mm switch contact gap

Physical

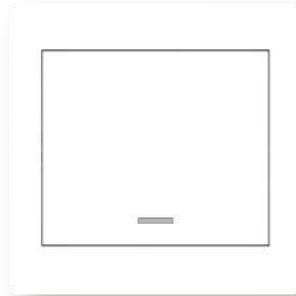
Operating temperature:
-5°C to +50°C

IP rating:
IP2XD

Max.installation altitude:
2000 metres

Operational testing (all plate switches):
tested to 100,000 operations for mechanical life
tested to 40,000 operations at 10 amp rating
tested to 10,000 operations at 20 amp rating

Model:T1002



One gang switch
Two-WAY

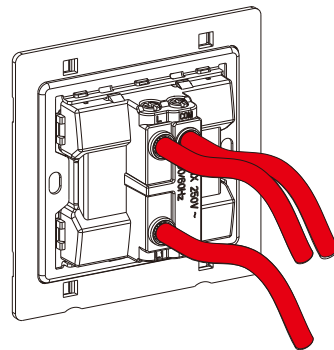
Cable Management

Logic Plus plateswitches can be mounted in a variety of NOORCO trunking systems

Description

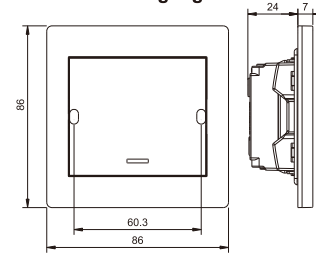
Logic Plus platewiches are designde to blend in with the decor, whilst complementing a wide range of other Logic Plus accessories. They are designed for easy installation in plaster depth boxes and are suitable for controlling circuits in domestic, commercial and industrial applications.

Wiring instructions



Dimensions(mm)

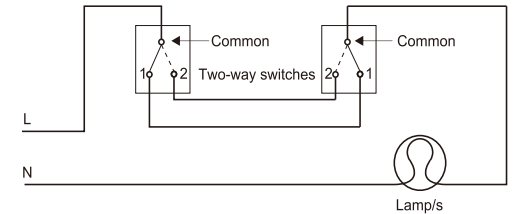
1 gang



NO.	Name	Material	Specifications
1	Rocker	PC	SABIC GE plastics
2	Surface frame	PC	
3	Indicator cover	ABS	
4	Str	PC	
5	Base	PC	
6	Middle frame	PC	
7	Cover	PC	
8	Copper cylinder	Brass	59 Copper particles
9	Silver alloy contact	Silver	Silver-Copper composite
10	Copper Rocker	Brass	Phosphor Copper
11	Screw	Iron	Carbon Steel
12	Sliding contact	Brass	Phosphor Copper

Wiring Diagrams

Two-way switching-2 wire control



Dotted lines show alternative switch positions

Technical characteristics

Can use in ocean weather and high temperature up to 130 celsius degree. PC material V0 inflaming retarding .Strong hygrosopicity, excellent strength and durability

Big copper connector 2.8 gram, moisture resistance and stand wear and tear . Difficult to make electrical spark ,our products can use in the moist weather

Silver thickness 0.6mm,silver contact diameter 4.0mm, thickness 1.5mm, contact surface big . Improve the silver contact arc extinguishing performance , reduce the electrical wear.Maintain low contact resistance

0.7mm thickness copper, moisture resistance and stand wear and tear . Difficult to make electrical spark ,our products can use in the moist weathe .

4*6.5mm screw ,make the cable very fastness,surface gold-plating,prevent oxidation,improve the electrical conductivity

High hardness ,wear-resisting

