

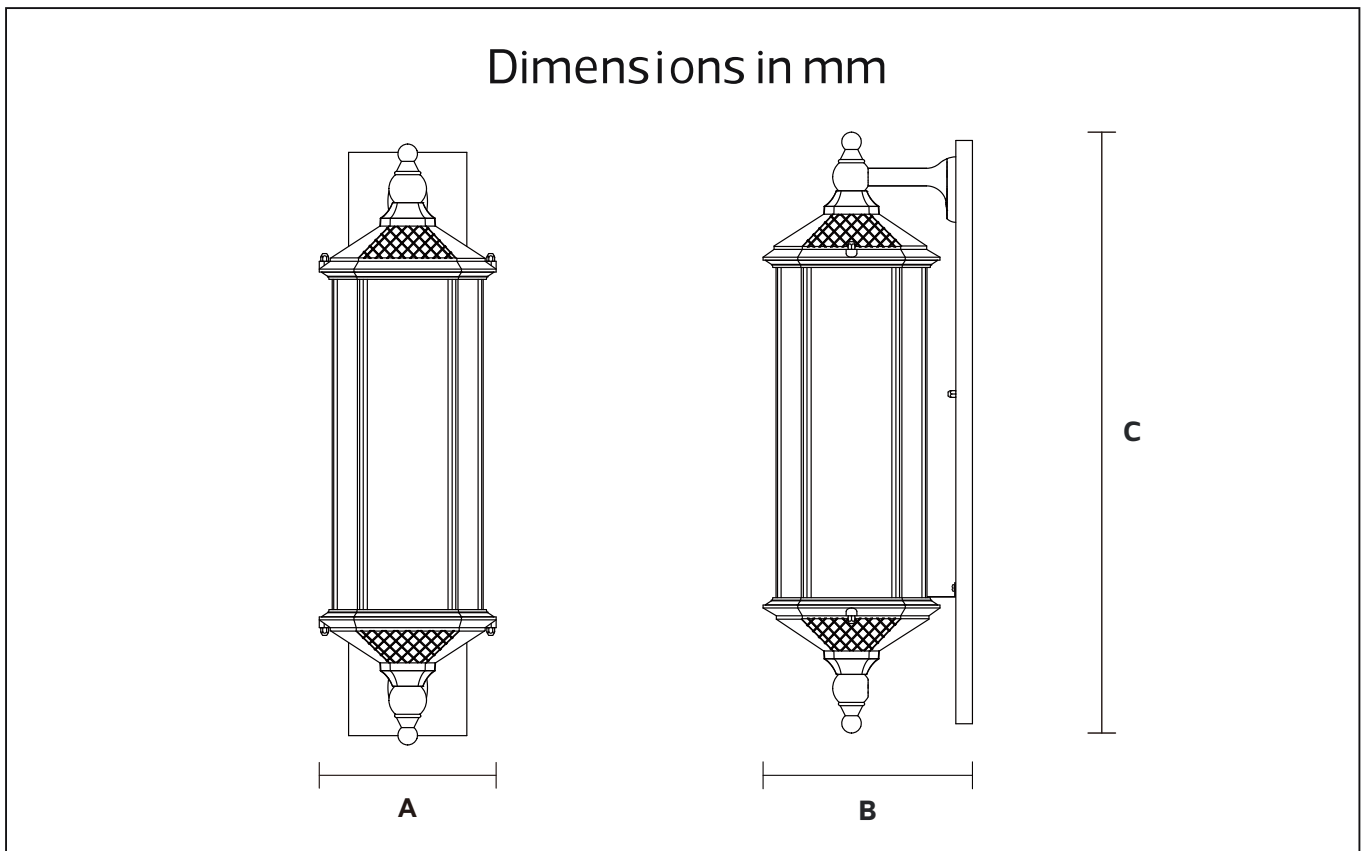
Lamp Accessories

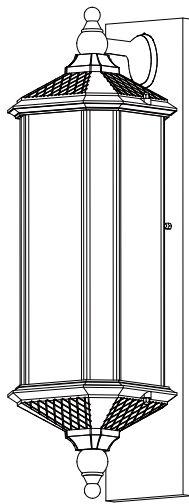
W1-1007A

IP65



Item Code	Socket	Dimensions in mm			kg
		A	B	C	
W1-1007A	E27*1(Max Size: Φ130mm)	182	210	580	2.42





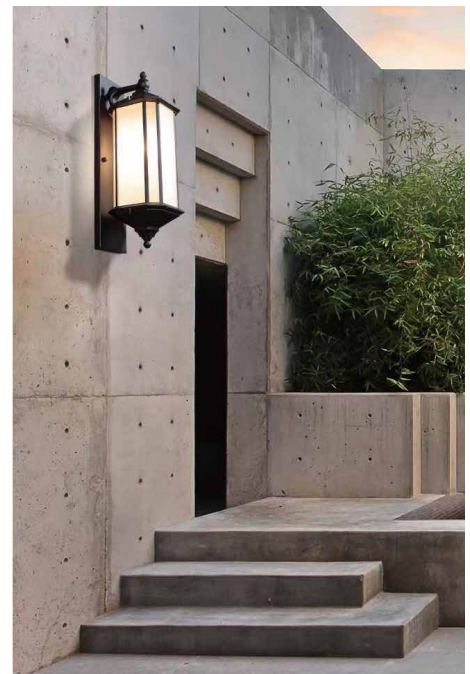
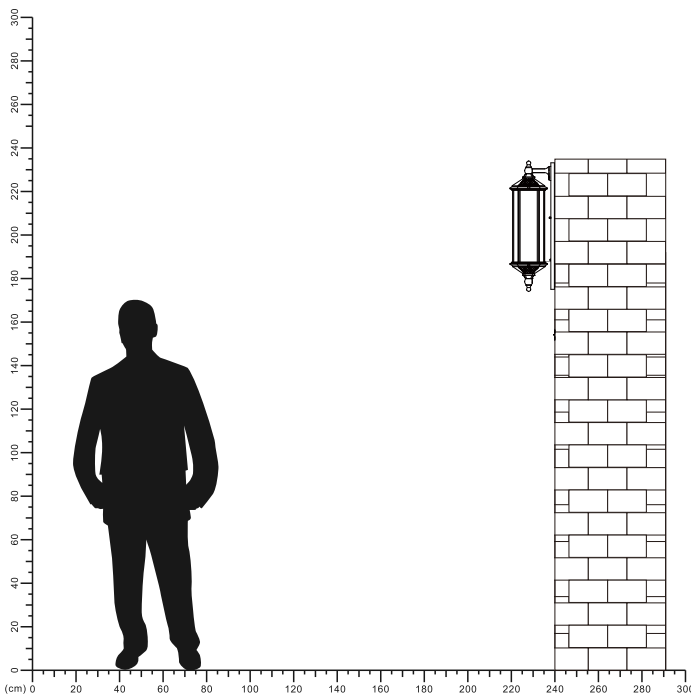
Description:
Lamp Accessories

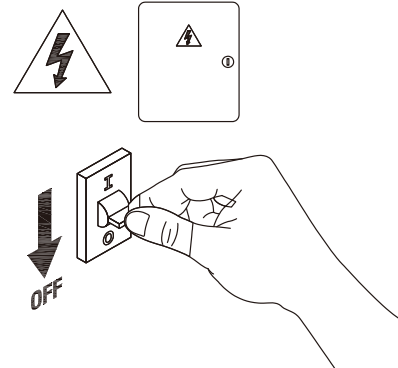
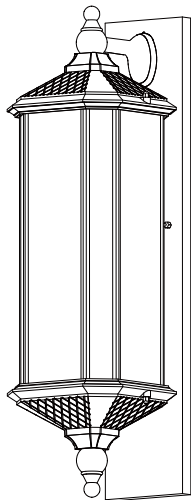
Main material:
Die-cast aluminum+ Transparent engraved glass

Specification
Durable lamp body, integrated die-casting forming, with a hard texture but wear resistance.
High transparency glass, High transmittance of 98%.

IP 65

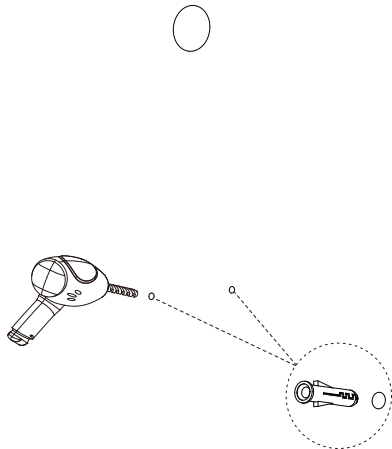
- Applications**
- . Living room
 - . Courtyard
 - . Street
 - . Restaurant





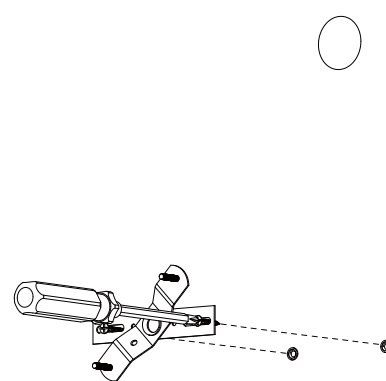
1

Turn off the power



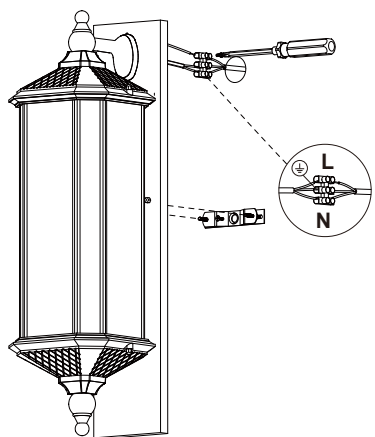
2

Drill holes in the wall insert expansion screws



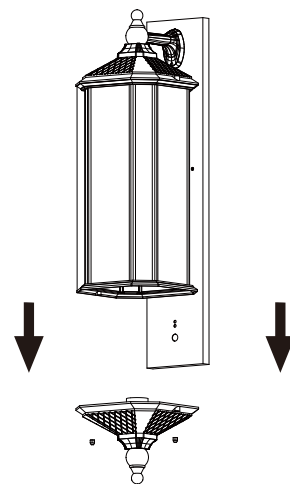
3

To install the hanging board



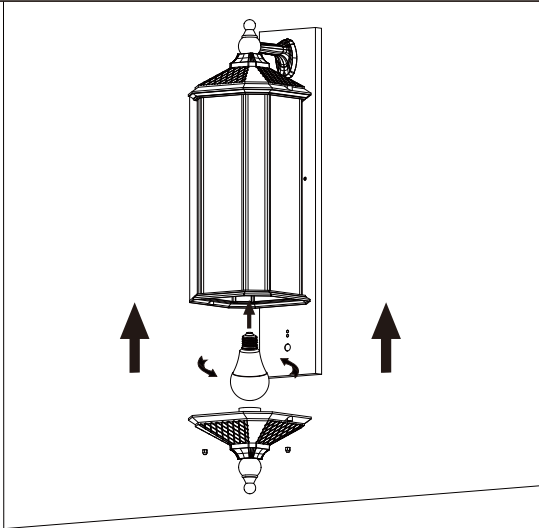
4

Connect the power cord and secure the lamp holder



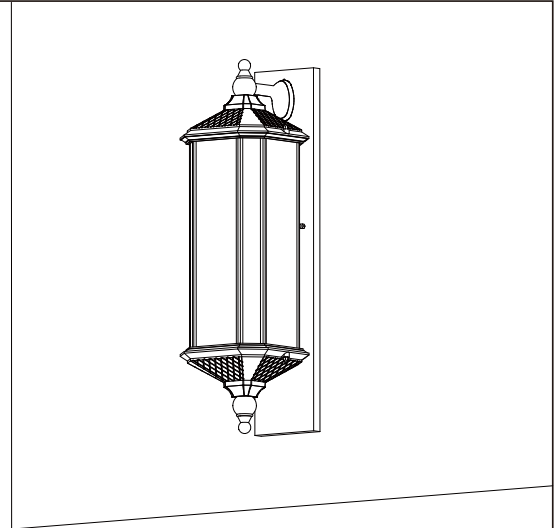
5

Release the light cover



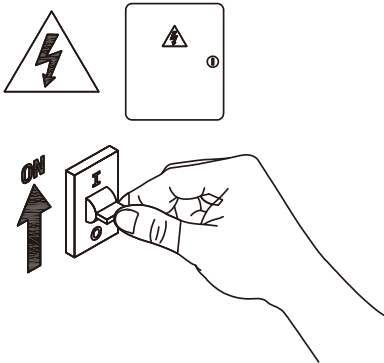
6

Install the E27 bulb and secure the lampshade



7

Installation is complete



8

Turn on the power

