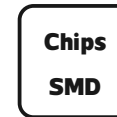
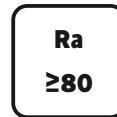


LED Outdoor Wall Lamp

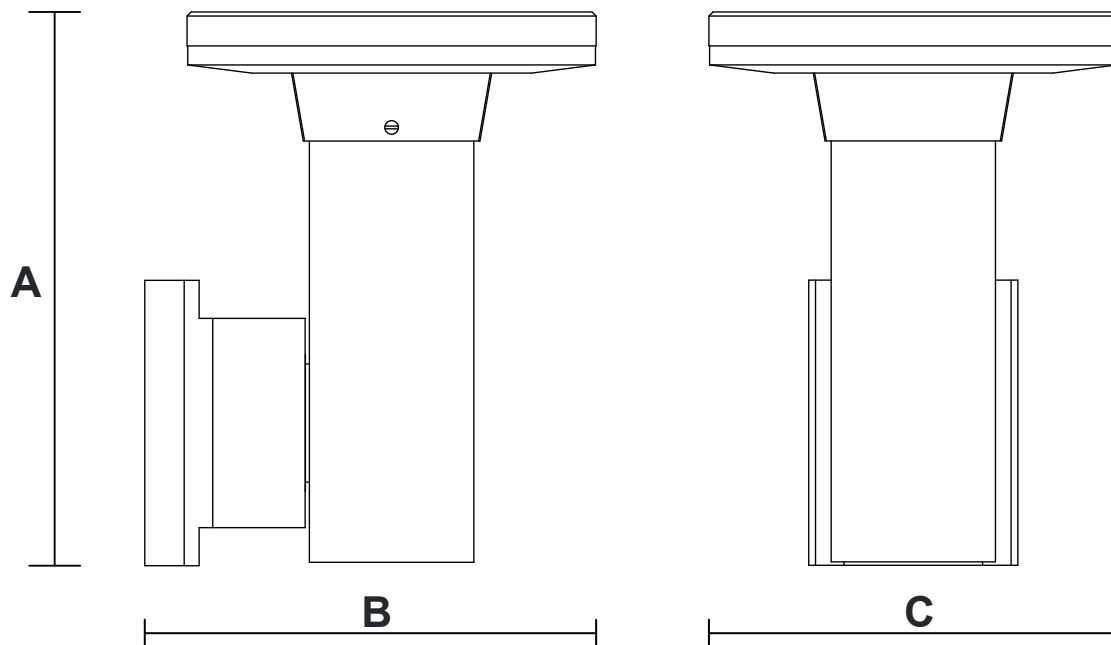
W27089

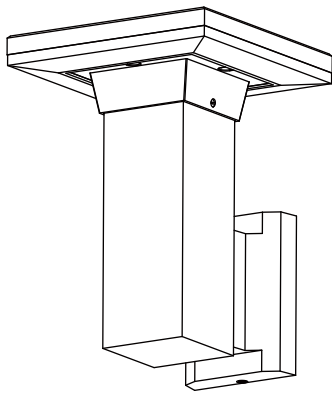
IP65



Item Code	P (W)	CCT(K)	Beam angle	Output (lm)	lm/w	Dimensions in mm			kg
						A	B	C	
W27089	10	3000	120°	650	65	202	166	150	0.95

Dimensions in mm



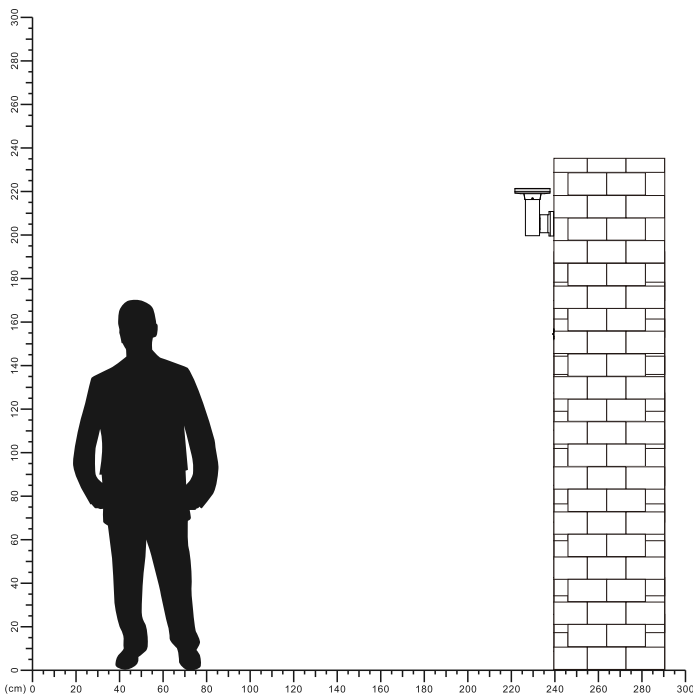


Description:
LED Outdoor Wall Lamp

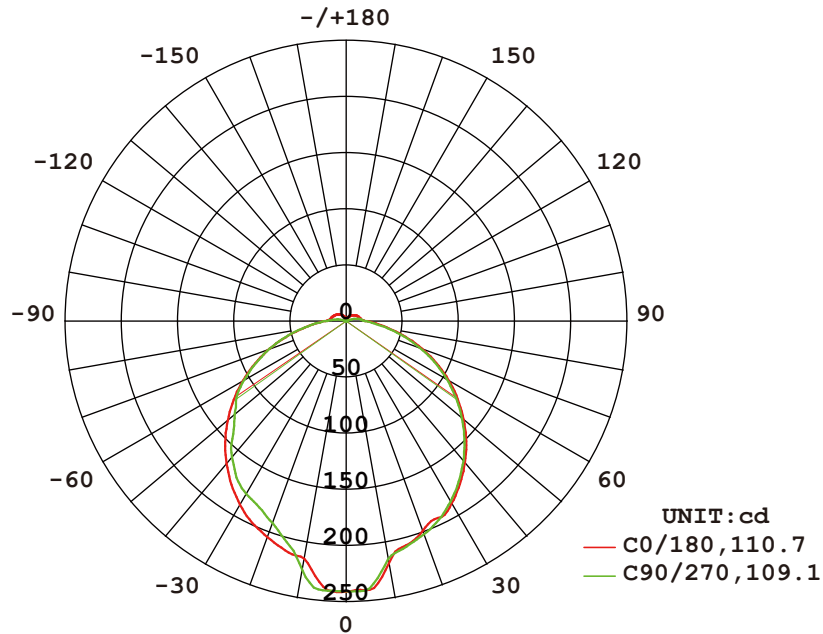
Main material:
Aluminum+Engineering plastics

Specification
Energy saving, up to 85% energy saving comparing to standard halogen and incandescent lamps
High quality light, high color rendering, less heat, no UV or IR radiation
Build-in LED Driver
IP65

Applications
• Park
• Square
• Tourist attraction
• Corridor



LUMINOUS INTENSITY DISTRIBUTION DIAGRAM



AVERAGE BEAM ANGLE (50%) : 109.9 DEG

Illuminance at a Distance

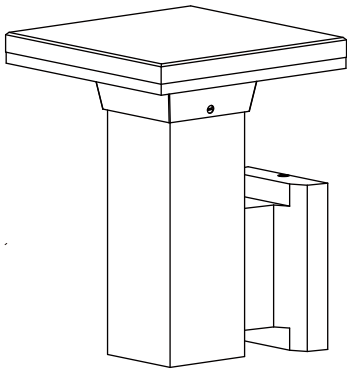
Flux out: 436.6 lm

1m	68.14, 241.4lx	279.99cm
2m	17.04, 60.34lx	559.98cm
3m	7.571, 26.82lx	839.98cm
4m	4.259, 15.08lx	1119.97cm
5m	2.726, 9.654lx	1399.96cm
6m	1.893, 6.704lx	1679.95cm
7m	1.391, 4.926lx	1959.95cm
8m	1.065, 3.771lx	2239.94cm
9m	0.8413, 2.980lx	2519.93cm
10m	0.6814, 2.414lx	2799.92cm

Height Avg, Emax Angle: 108.92deg Diameter

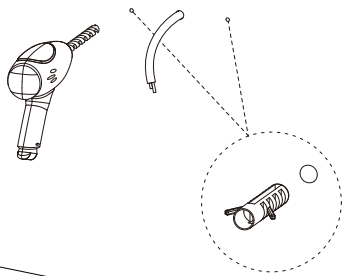
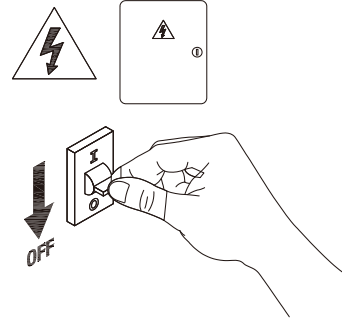
Note: The Curves indicate the illuminated area and the average illumination when the luminaire is at different distance.

Model: W27089



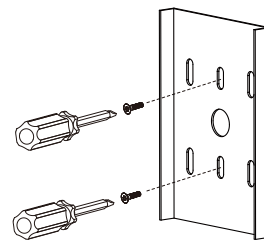
1

Turn off the power



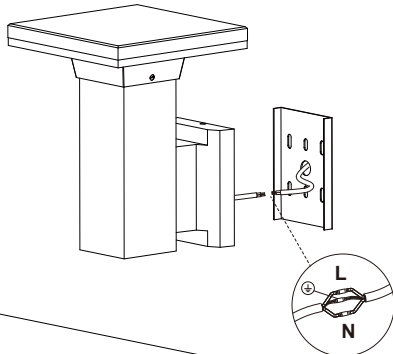
2

Drill two screw holes on the wall



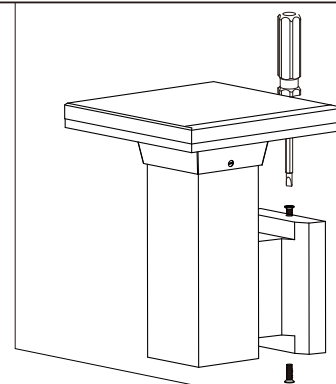
3

To install the hanging board



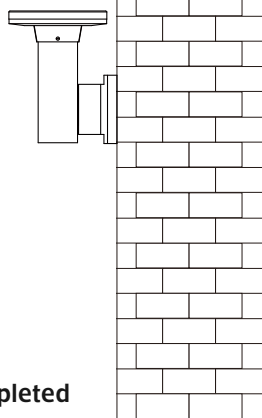
4

Connecting the power cord



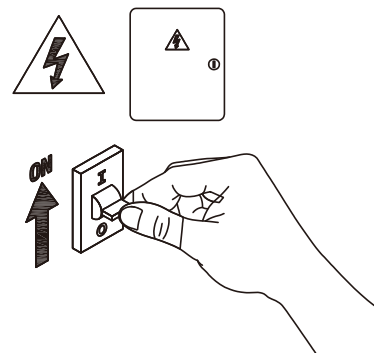
5

Mounting bottom box



6

Installation completed



7

Turn on power

