

## Lamp Accessories

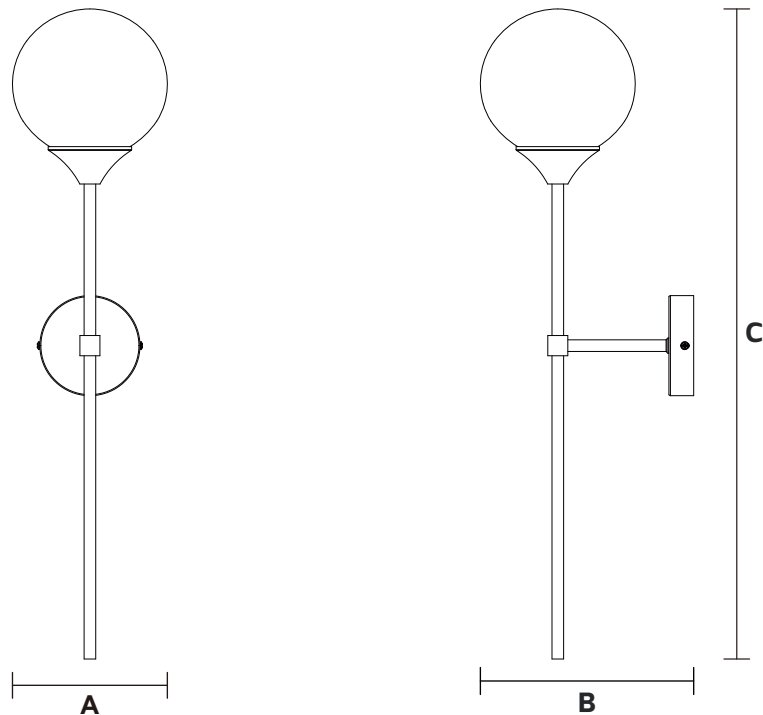
WL-1560

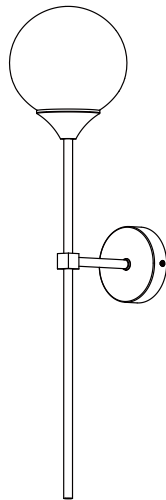
IP20



Item Code	Socket	Dimensions in mm			kg
		A	B	C	
WL-1560	E27*1(Max Size Φ60mm)	153	210	643	0.52

### Dimensions in mm





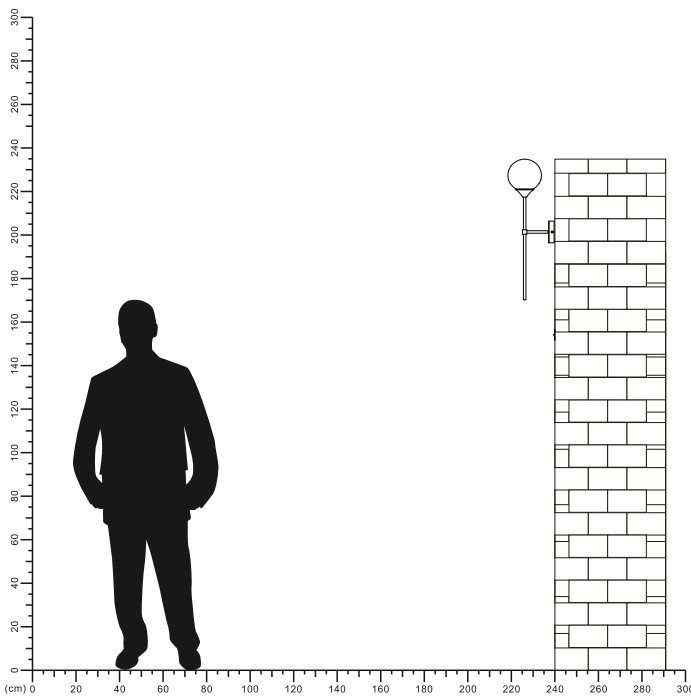
**Description:**  
Lamp Accessories

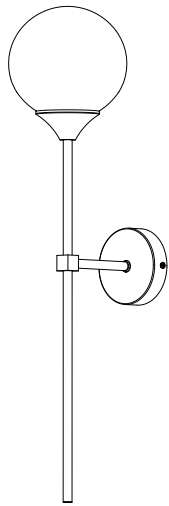
**Main material:**  
Metal iron+glass

**Specification**  
Iron plated lamp body, rust and corrosion resistant, solid and durable, stable lamp body. The lampshade has clear transparency, soft and non dazzling light color, and a smooth and delicate surface.

**IP 20**

**Applications**  
. Living room  
. dining room  
. bedroom

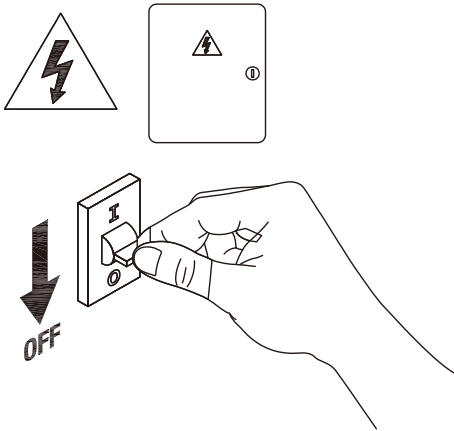
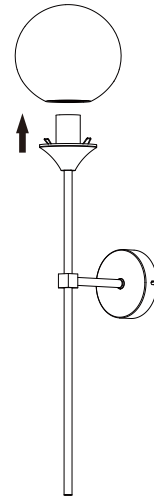




- ⌘ X 2
- ⌘ X 6
- ⌘ X 2
- ⌘ X 2

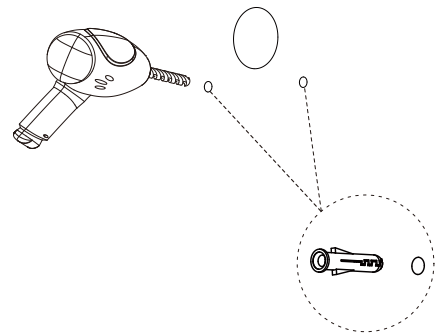
1

Remove the lampshade



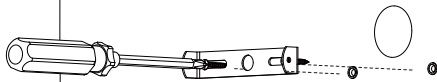
2

Turn off the power



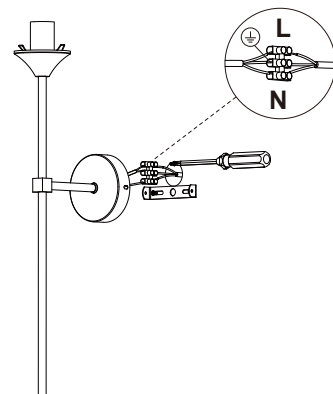
3

Drill holes in the wall insert expansion screws



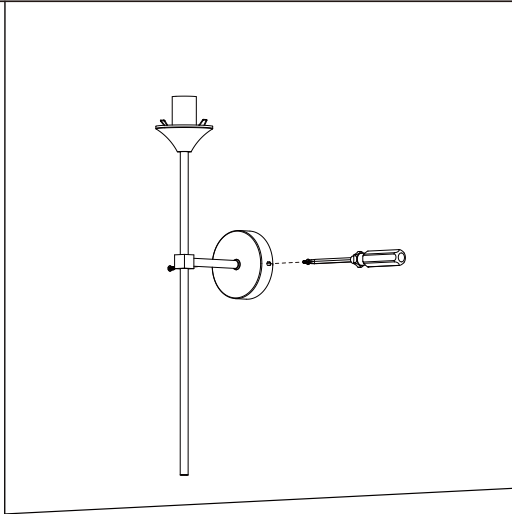
4

To install the hanging board

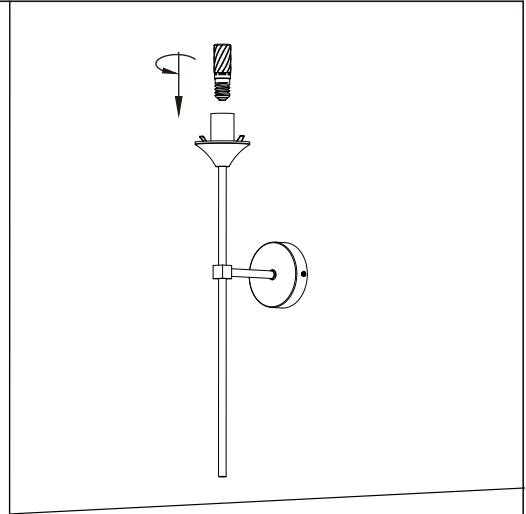


5

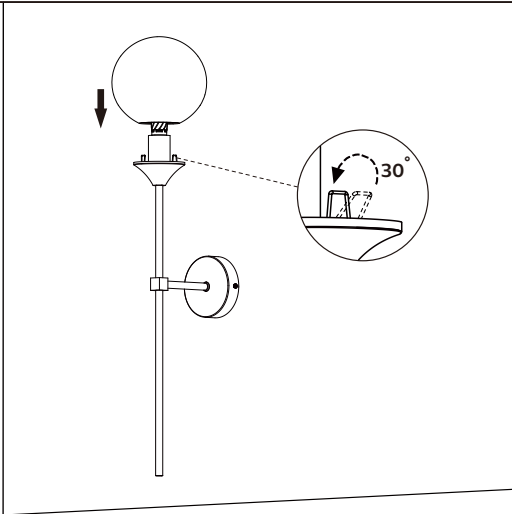
Connecting the power cord



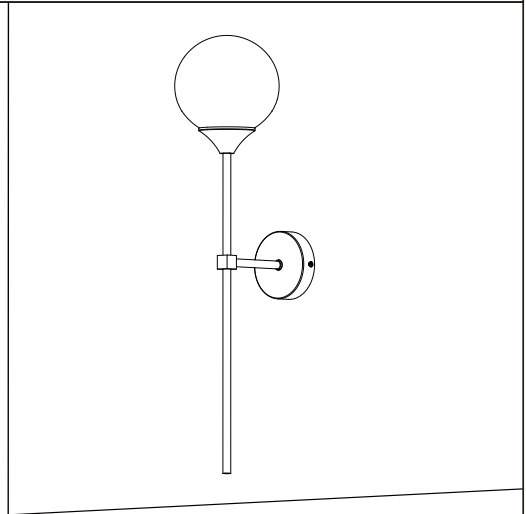
6 Tighten the screws to secure the lamp body



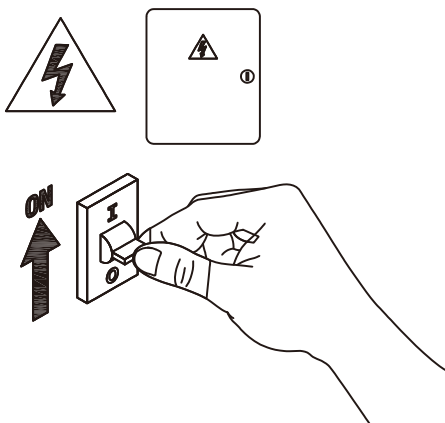
7 Tighten the bulb



8 Flip the spring to secure the lampshade



9 Installation completed



10 Turn on the power

