

Lamp Accessories

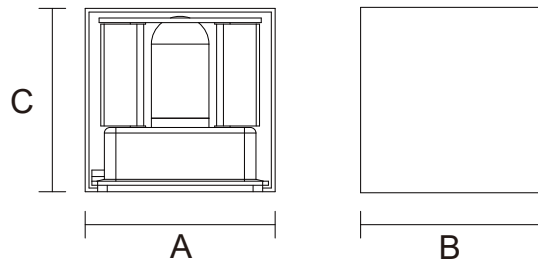
WL027-G9 Series
IP65



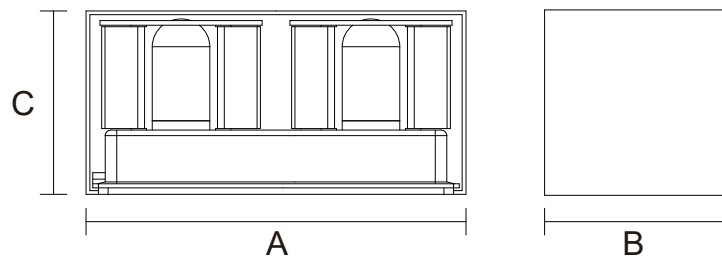
Item Code	Color	Socket	Dimensions in mm			kg
			A	B	C	
WL027-BK-G9	Black	G9*1	100	100	100	0.38
WL027-GR-G9	Gray	G9*1	100	100	100	0.38
WL027-BK-2-G9	Black	G9*2	200	100	100	0.77

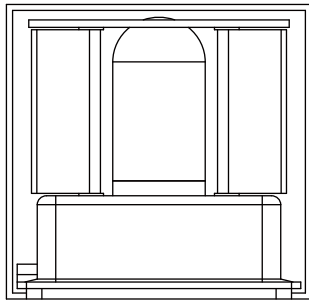
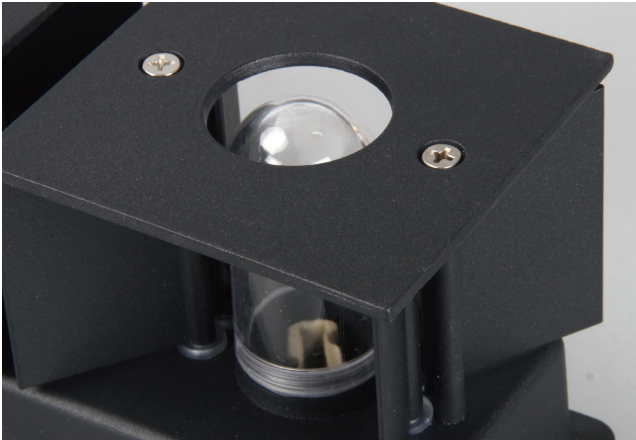
Dimensions in mm

Item Code: WL027-BK-G9
WL027-GR-G9



Item Code: WL027-BK-2-G9





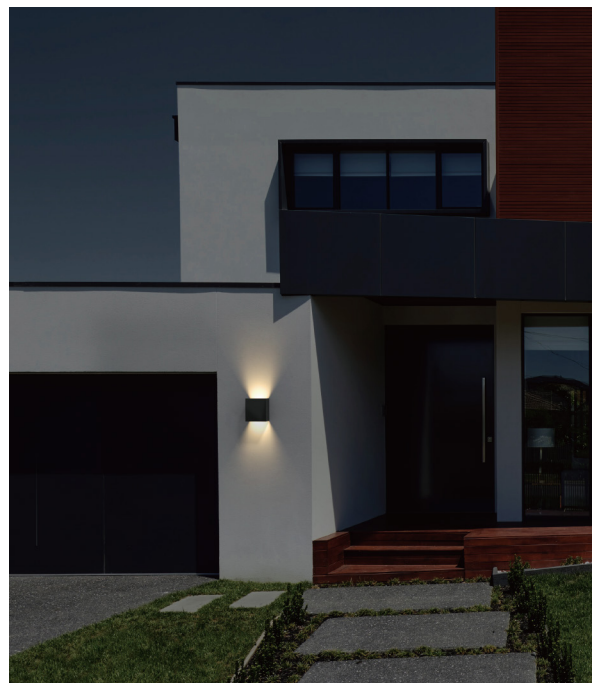
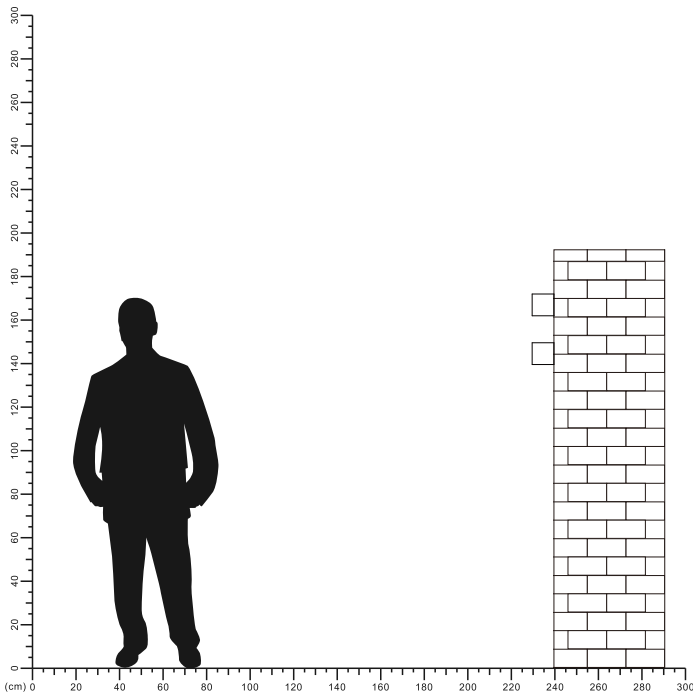
Description:
Lamp Accessories

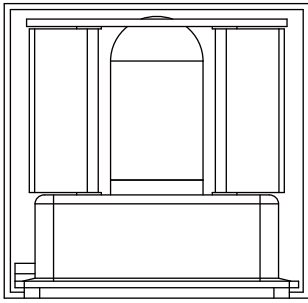
Main material:
Aluminum

Specification
Energy saving, up to 85% energy saving comparing to standard halogen and incandescent lamps
High quality light, high color rendering, less heat, no UV or IR radiation
IP65

Applications

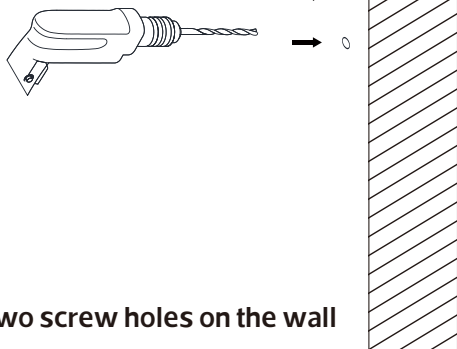
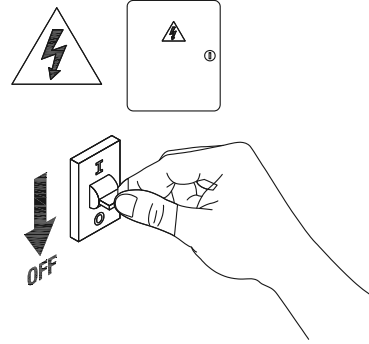
- . Park
- . Square
- . Tourist attraction
- . Corridor





1

Turn off The Power

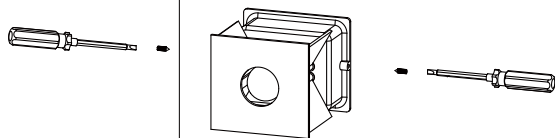
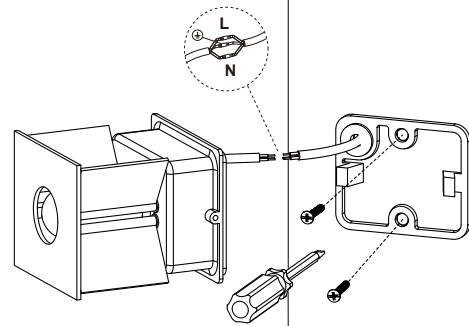


2

Drill two screw holes on the wall

3

Install the base and connect cables

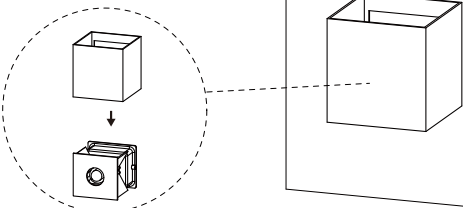
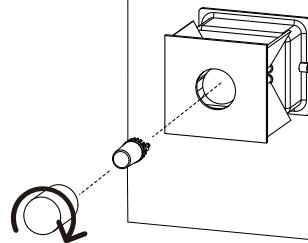


4

Fixing the body to the base.

5

Install G9 LED lamp



6

Install the shell and completed the installation

7

Turn on the power

