

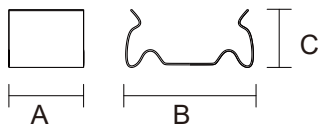
## Aluminum Profile

XT-163 Series  
IP20

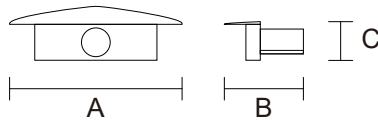


Item Code	Thickness (mm)	Frame Color	Material	Dimensions in mm					kg
				A	B	C	D	E	
XT-163	1	Silver	Aluminum	4000	25	17	7.5	7	0.32
XT-163-BK	1	Black	Aluminum	4000	25	17	7.5	7	0.32
XT-163-PC	\	Milky white	PC	4000	4	14	\	\	0.06
XT-163-ACS	\	Silver	Stainless steel	10	19	8	\	\	0.002
XT-163-CAP	\	White	PC	24	10	8	\	\	0.002
XT-163-CAP-BK	\	Black	PC	24	10	8	\	\	0.002

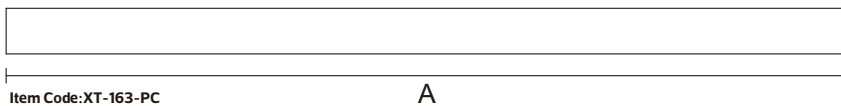
### Dimensions in mm



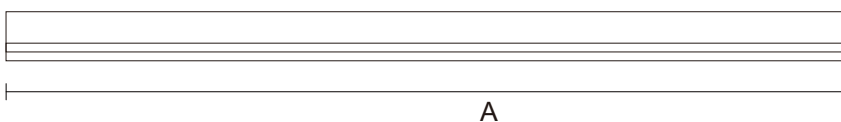
Item Code: XT-163-ACS



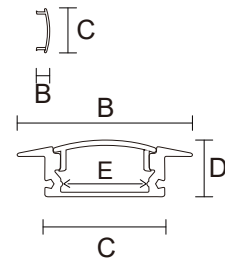
Item Code: XT-163-CAP



Item Code: XT-163-PC

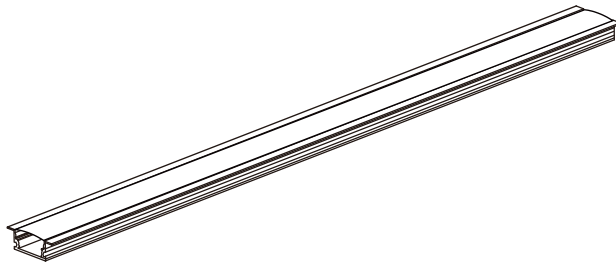


Item Code: XT-163 Series



**High Quality Aviation Aluminium Profiles**

The profile is made of aviation aluminum, which is easy to process and has good wear resistance, corrosion resistance and oxidation resistance.

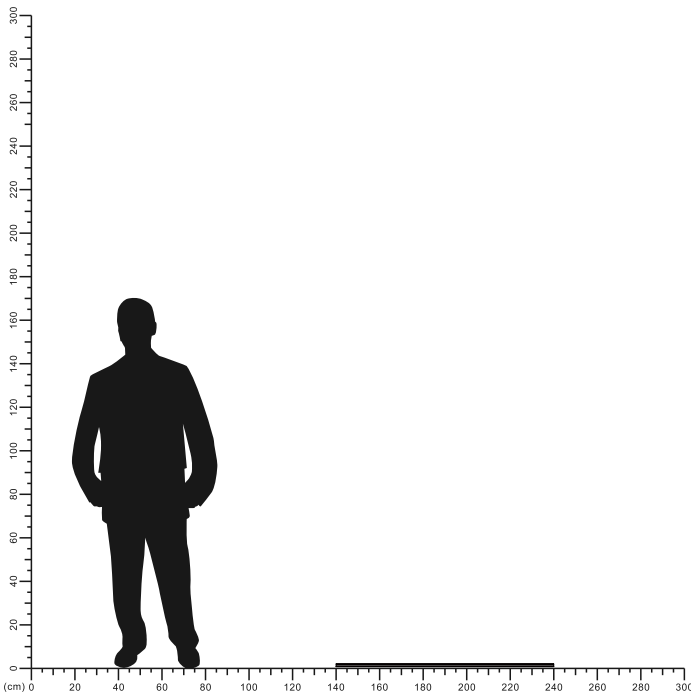


**Description:**  
Aluminum Profile

**Main material:**  
Engineering plastics+Aluminum

**Specification**  
Simple and elegant, beautiful, with the use of lamp belt can make the whole room atmosphere upgrade grade IP20

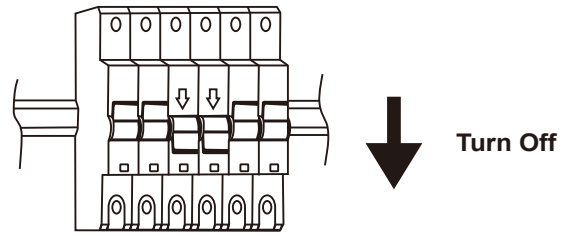
**Applications**  
•The Ground  
•The Wall  
•The ceiling



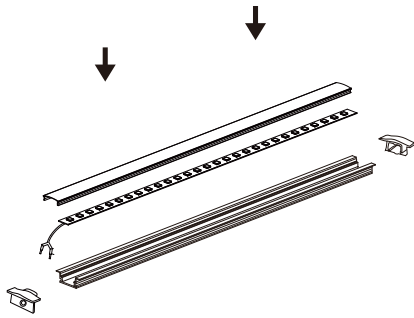


**NOTE:**

1. The installation of the product must be a professional electrician
2. The light source contained in this luminaire shall only be replaced by the manufacturer who is service agent or a similar qualified person.
3. Luminaire only suitable for indoor use.

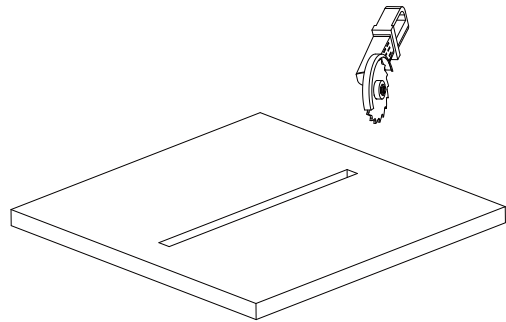


**First, you make sure the power is off.**



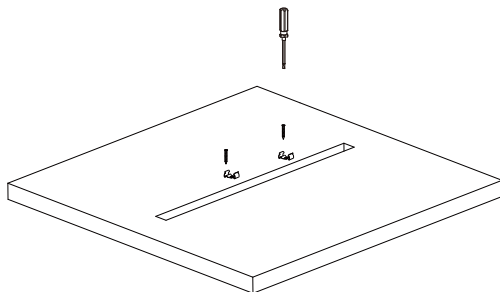
**1**

install the strip light into the aluminum profile, then put the cap install to the both side, finally install the PC cover.



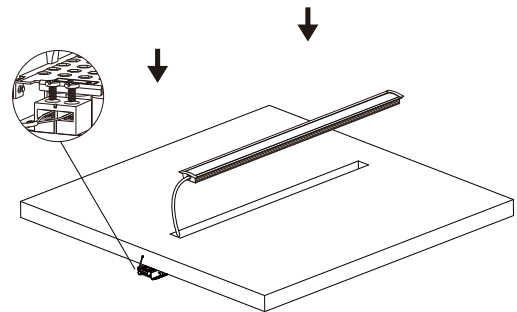
**2**

Grooves according to size



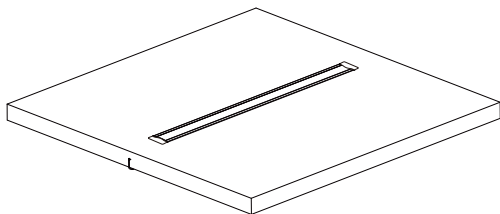
**3**

Install the buckle



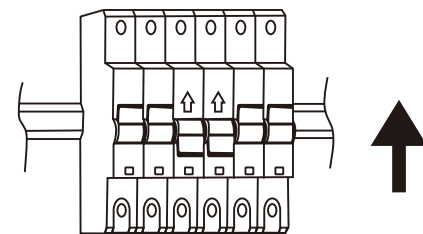
**4**

Connect the cable and Fix the light strip on the buckle



**5**

Installation completed



**Turn On**

