

Lamp Accessories

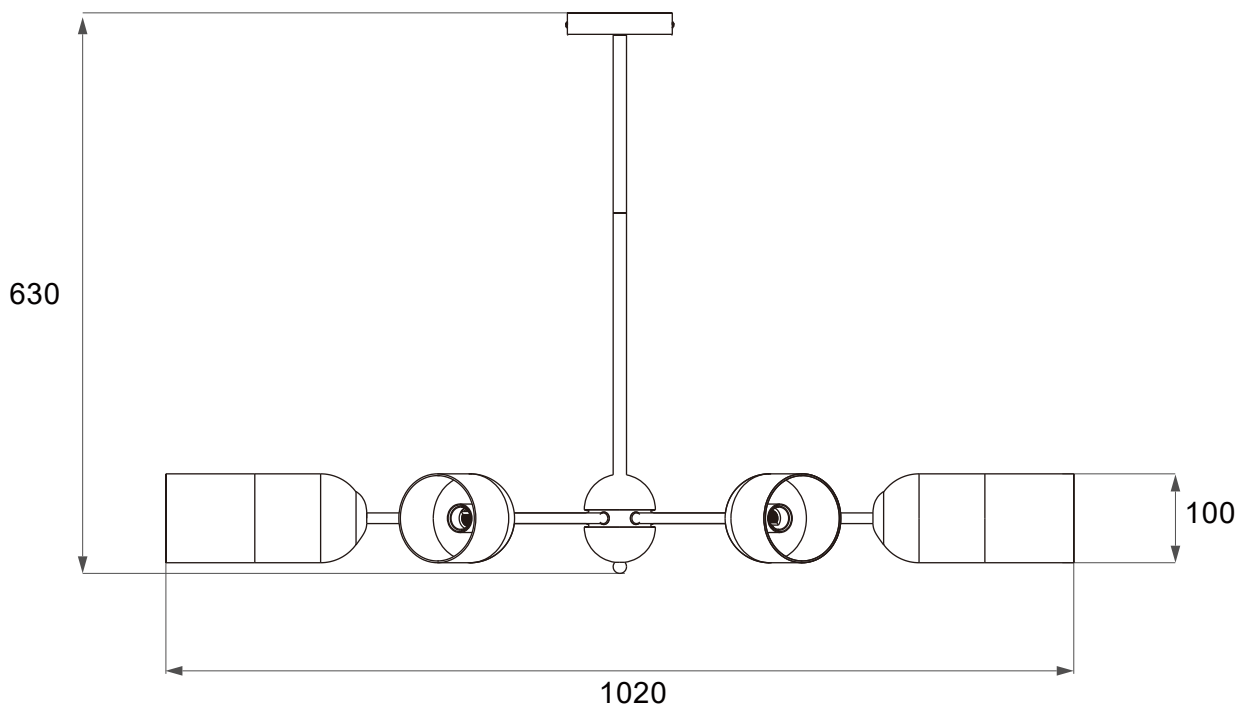
YD-1038

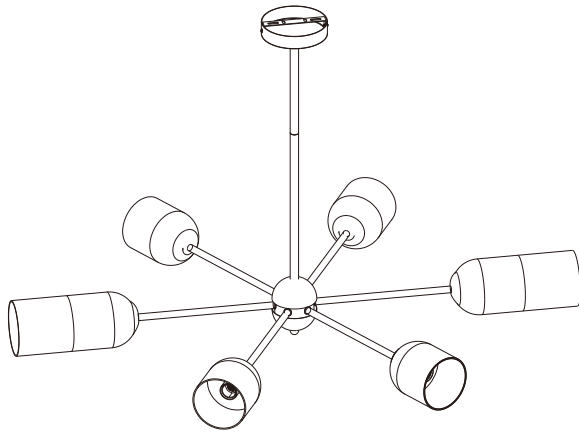
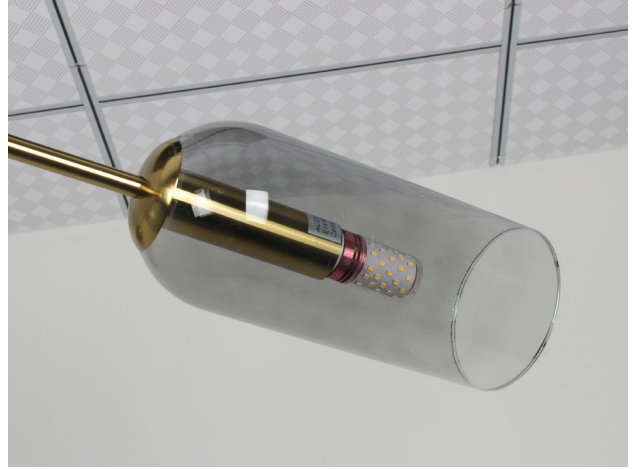
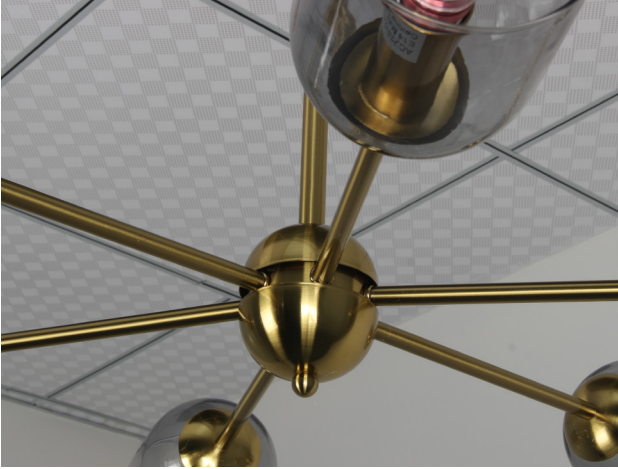
IP20



| Item Code | Color | Cap Type | kg |
|-----------|-------|-----------------------|------|
| YD-1038 | Gold | E14*6(Max Size:Φ55mm) | 2.53 |

Dimensions in mm





Description:

Lamp Accessories

Main material:

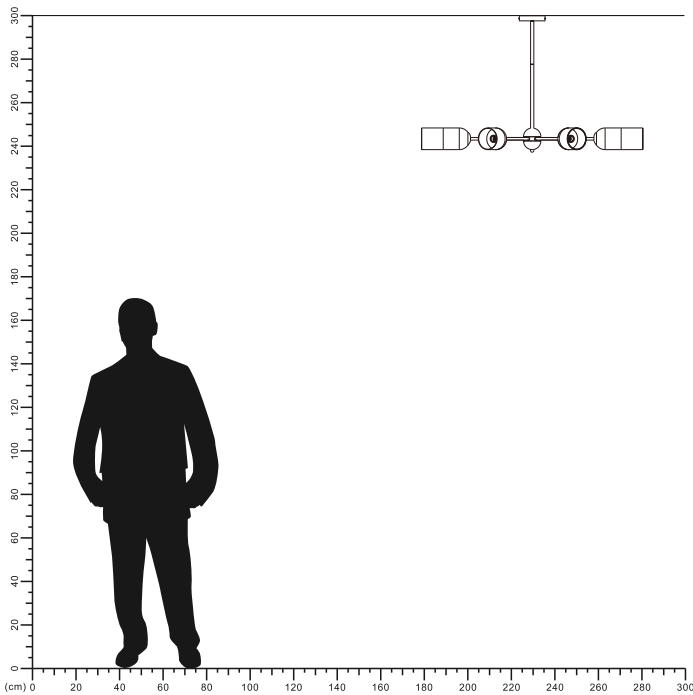
Iron+Glass

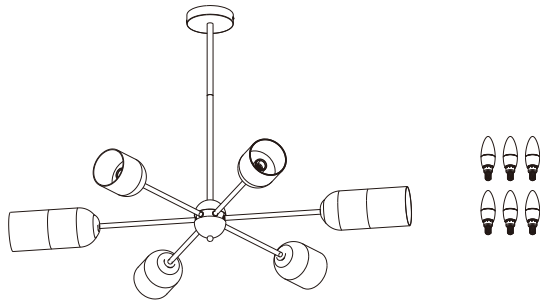
Specification

Electroplating can provide the following benefits: corrosion resistance, increased hardness and wear resistance of products, and a smoother surface IP 20

Applications

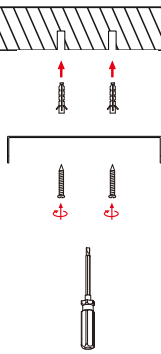
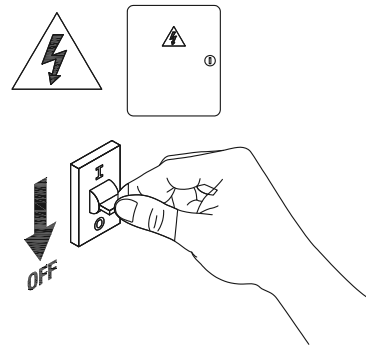
- . Villas
- . Room
- .Communities





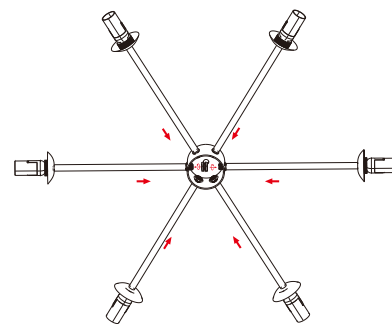
1

Turn off The Power

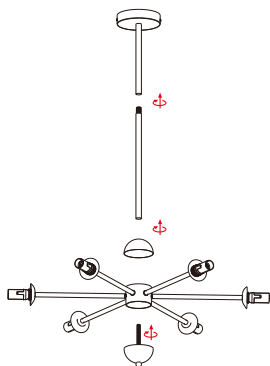


2

Drill 2 holes on your ceiling and install base plate

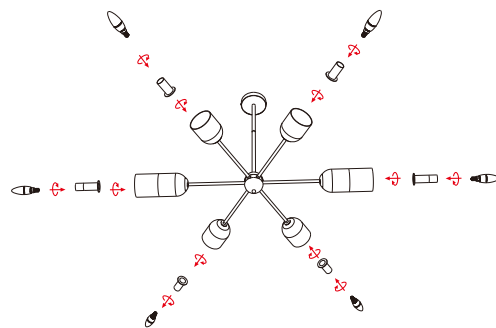


3 Install the light pole



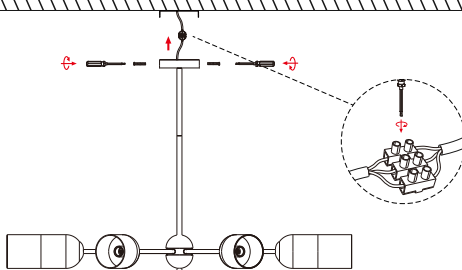
4

Install all accessories



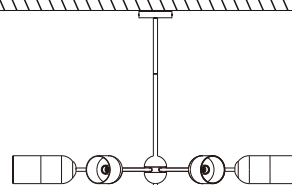
5

Install the glass lampshade and E14 light bulb



6

Connect the cables and secure the lamp body to the base plate



7

Installation completed



Turn on the power

