

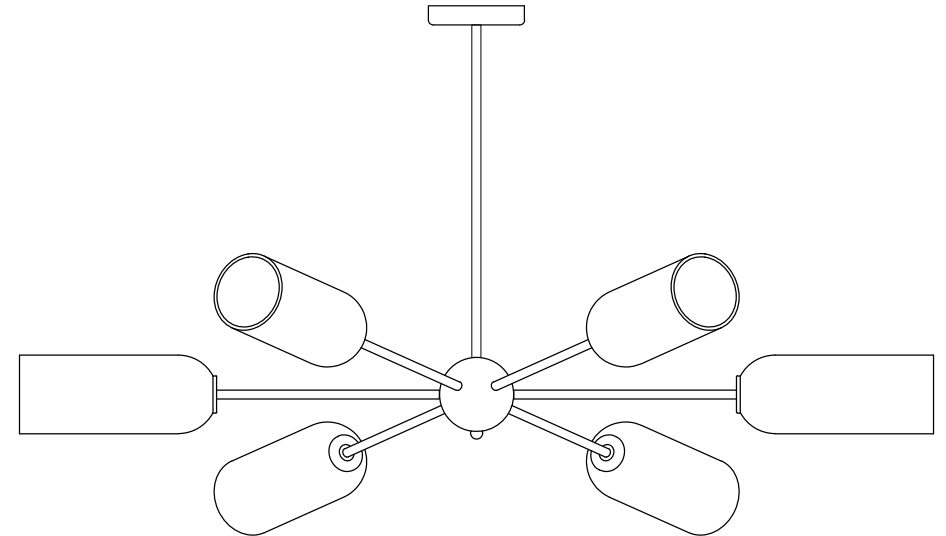
**Safety and use information**  
interior lighting

- Before installing and using the housing, read this manual and follow the instructions in it. Keep this manual for the future.
- Before installation, check the packaging and make sure that the housing is complete.
- Select a place to install the housing.
- The housing must be firmly attached to the mounting surface by means of screws and dowels. Make sure that the bolts and dowels are suitable for the specified mounting surface. If in doubt, seek professional advice.
- When drilling holes in the mounting surface, pay attention not to damage pipes or electrical wires that may be below the surface.
- IMPORTANT:** The selected installation location must be able to bear the full weight of the lighting fixture.
- Never hang any objects on the housing.
- The electrical supply system must be equipped with a residual current switch with a rated current of operation In not more than 30mA. Periodically check the operation of the overcurrent switch. A circuit breaker must be installed in the power supply system to ensure that the contacts are opened at each  $\geq 3\text{mm}$ .
- The electrical connection of the luminaire may be made only by an electrician with appropriate qualifications and qualifications. Always make sure that the lamp is installed in accordance with the applicable standards.
- The housing must not be installed on flammable surfaces.
- For installation inside dry rooms.
- The housing can be used only when it is properly mounted and when no component is damaged.
- Before replacing the bulb or cleaning, disconnect the housing power supply via the circuit breaker (fuse) in the fixed electrical system.
- Wait for the lamp to cool down completely before replacing the bulb.
- When replacing the filament lamps, use only the same type with rated values consistent with those given on the lighting fixture. **ATTENTION TO THE MAXIMUM POWER OF EACH LAMP.**
- Attention! The surface around the bulb can become very hot! Do not touch.
- Clean the inside of the lamp clean, dry cloth, do not use solvents or abrasives. Avoid contact of liquids with all electrical components.
- The manufacturer shall not be liable in the case of personal or material damage if the lamp was operated improperly or if the lamp was misused.



**MADE IN CHINA**  
صنع في الصين

**YD-1038**  
**Installation instruction**



**Ceiling Lamps**

**Customer Service Center.8004300030**