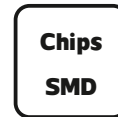
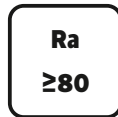


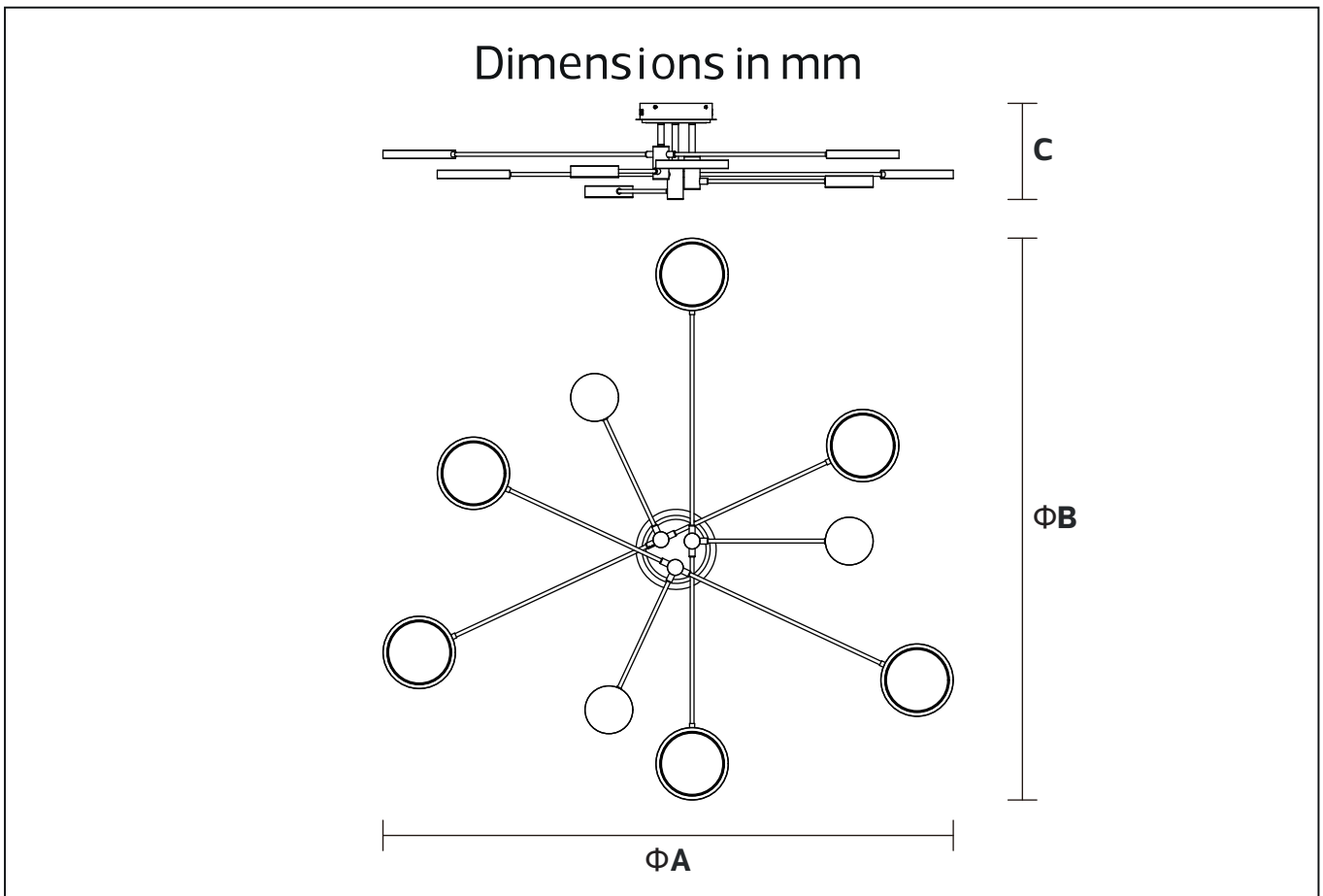
LED Ceiling Lamp

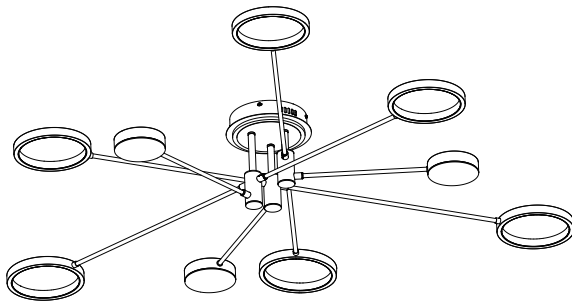
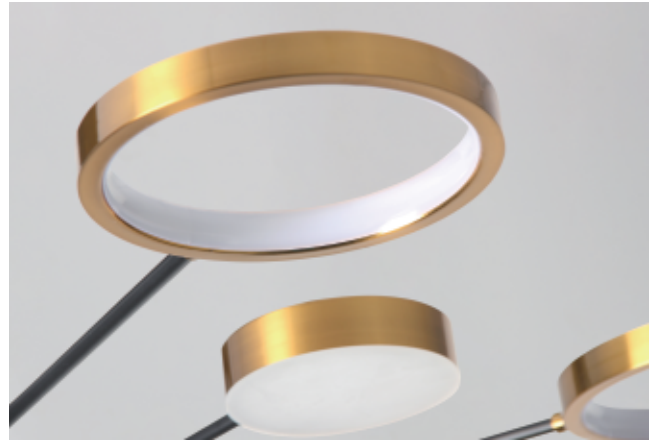
YD-3126-9

IP20



Item Code	P (W)	CCT(K)	Color	Dimensions in mm			kg
				A	B	C	
YD-3126-9	45	3000	Black+Gold	Φ1420	Φ1400	240	2.8





Description:
LED Ceiling Lamp

Main material:
Iron material+silicone lamp strip

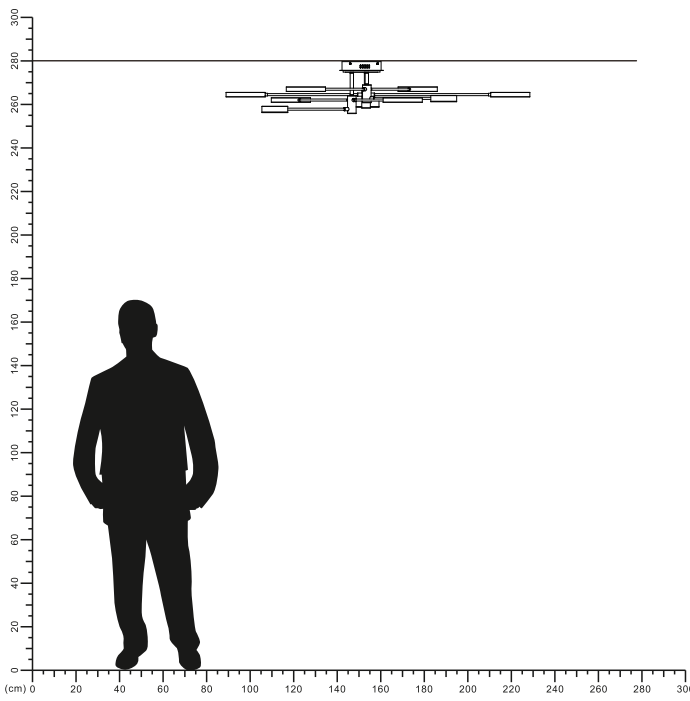
Specification

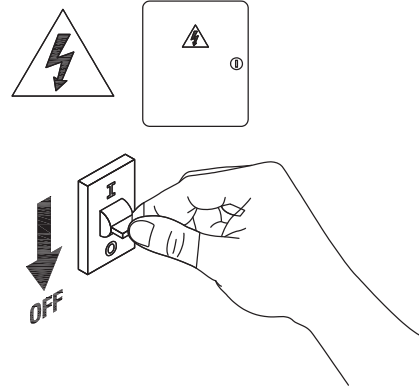
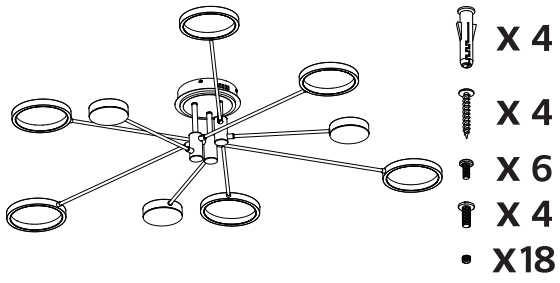
High temperature paint baking, antioxidant treatment, rust prevention without peeling off paint, effective load-bearing, safe and stable, and durable. Uniform light transmission, sealed lampshade design for easy cleaning, high temperature resistance, safety and environmental protection.

IP 20

Applications

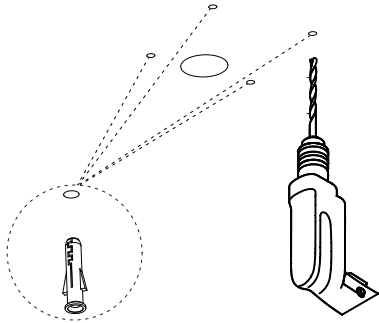
- . Bedroom
- . restaurant
- . living room





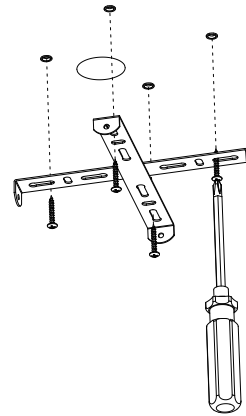
1

Turn off the power



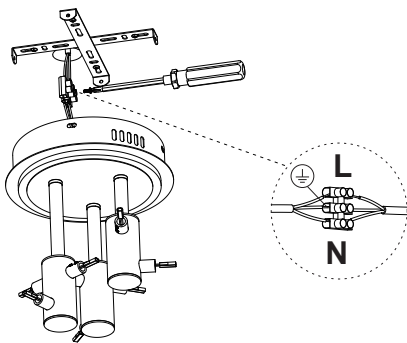
2

Drill holes in the ceiling to insert expansion screws



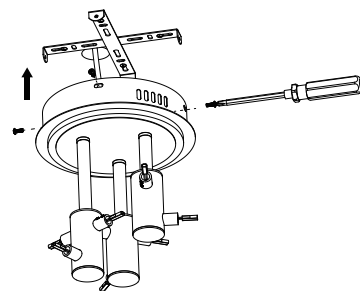
3

To install the hanging board



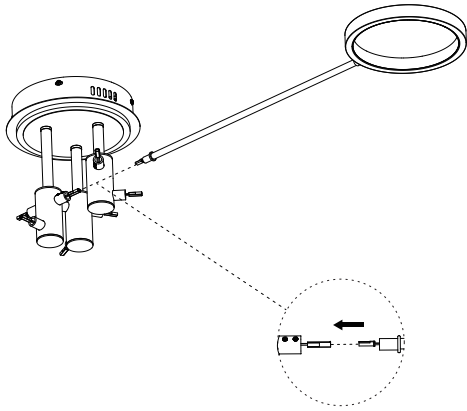
4

Connecting the power cord

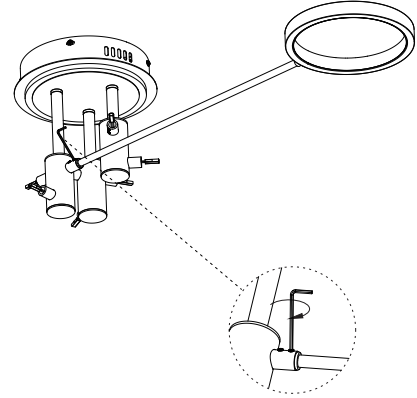


5

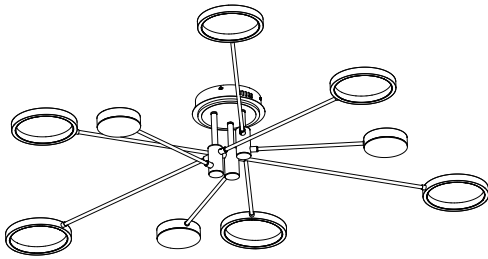
and tighten the screws to secure the lamp body



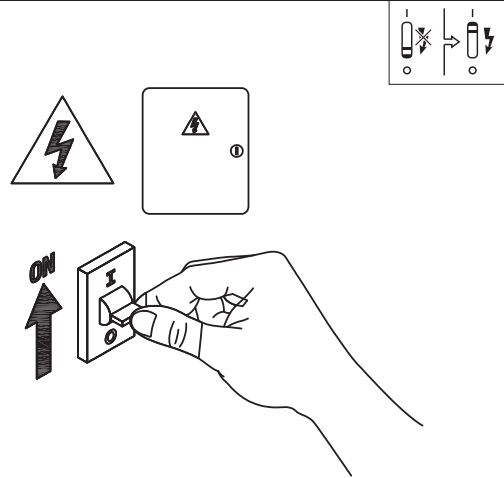
6 Connect the wires and insert the lamp tube



7 and tighten the screws



8 Installation completed



9 Turn on the power

