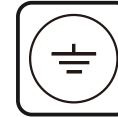


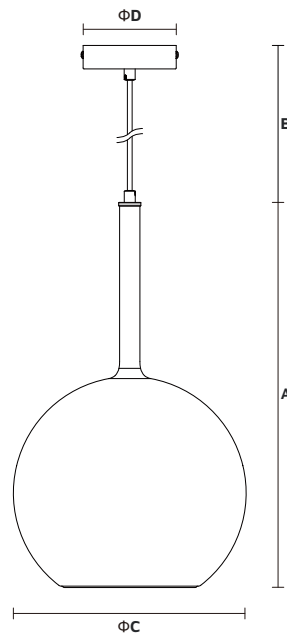
## Lamp Accessories

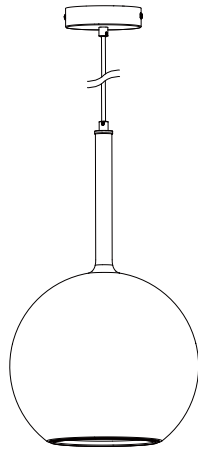
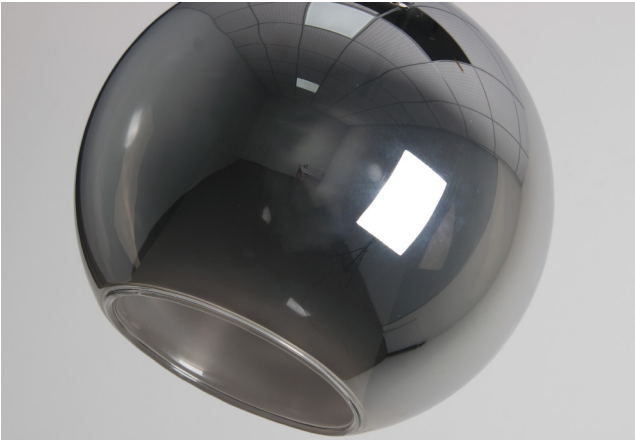
YD-A2066 Series  
IP20



Item Code	Socket	Color	Dimensions in mm				kg
			A	B	C	D	
YD-A2066-150	E27*1(Max Size $\Phi$ 100mm)	DarK Gray	413	1087	$\Phi$ 150	$\Phi$ 100	0.7
YD-A2066-180	E27*1(Max Size $\Phi$ 100mm)	DarK Gray	413	1087	$\Phi$ 180	$\Phi$ 100	0.75
YD-A2066-250	E27*1(Max Size $\Phi$ 100mm)	DarK Gray	413	1087	$\Phi$ 250	$\Phi$ 100	0.8

### Dimensions in mm





**Description:**  
Lamp Accessories

**Main material:**  
Iron+glass

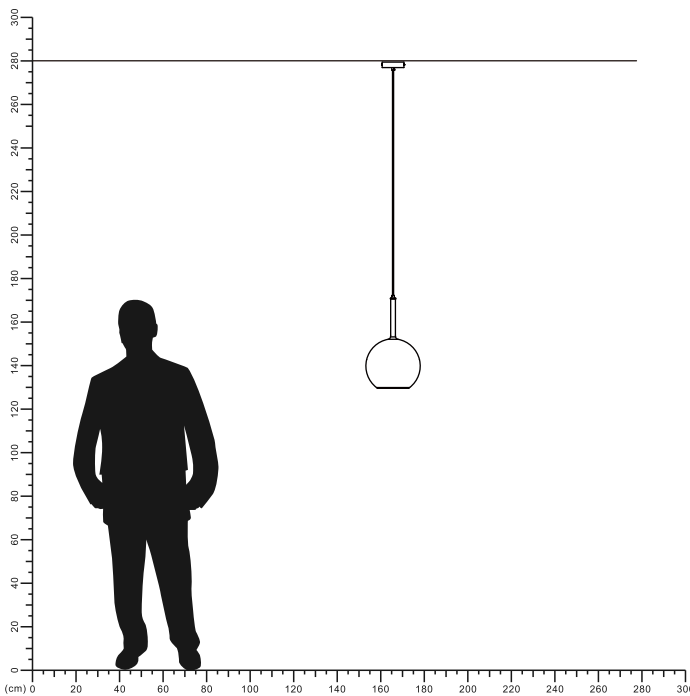
**Specification**

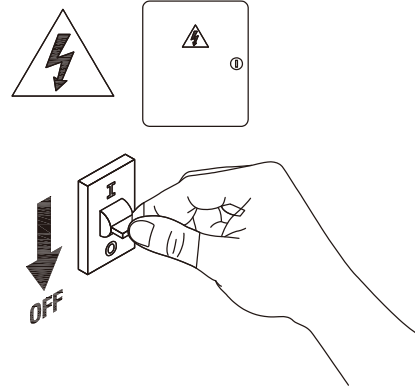
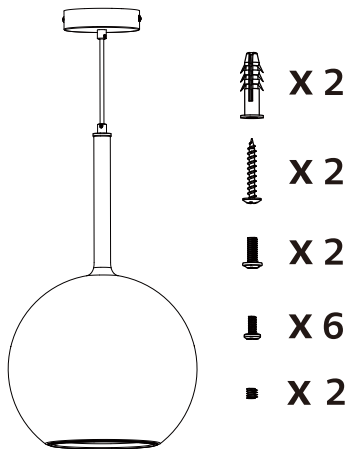
The electroplating process on the surface of the lampshade is as smooth as a mirror, reflecting the beauty and hierarchy of space. High quality hardware baking paint ceiling tray, adjustable suspension wire, good load-bearing capacity, safe and stable.

**IP 20**

**Applications**

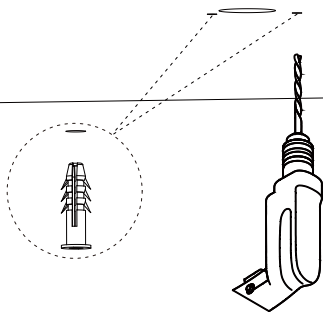
- . coffee house
- . restaurant
- . bar





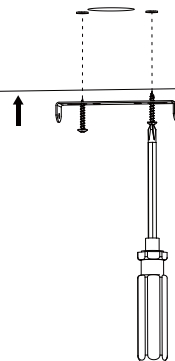
1

Turn off the power



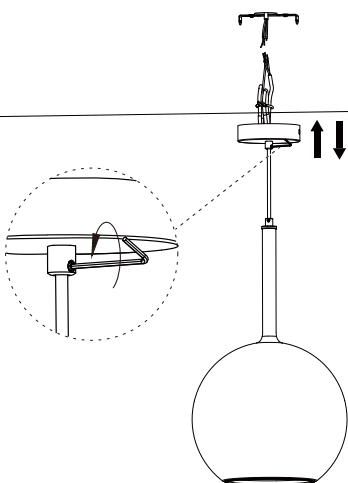
2

Drill holes in the wall insert expansion screws



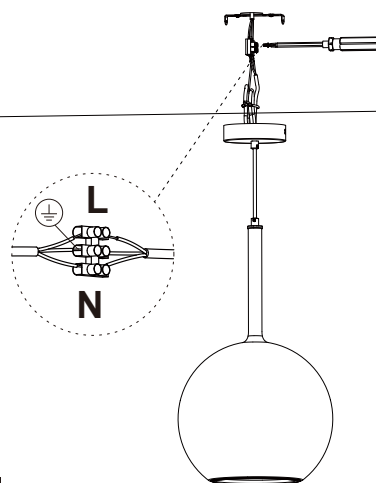
3

To install the hanging board



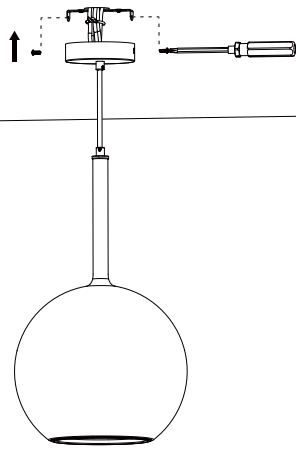
4

Adjust the cable length according to the use

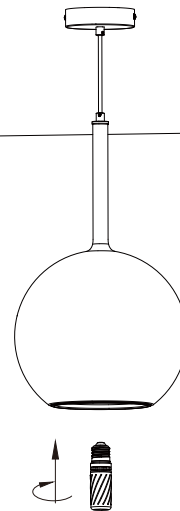


5

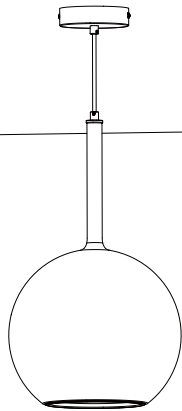
Connecting the power cord



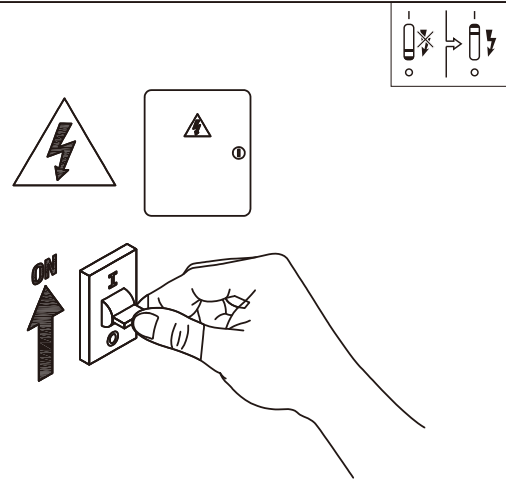
**6** and tighten the screws to secure the lamp body



**7** Tighten the bulb and lampshade



**8** Installation completed



**9** Turn on the power

