

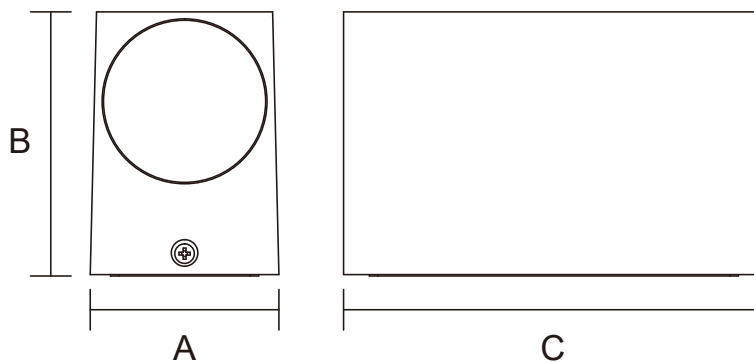
LAMP ACCESSORIES

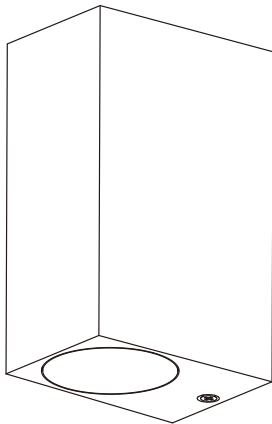
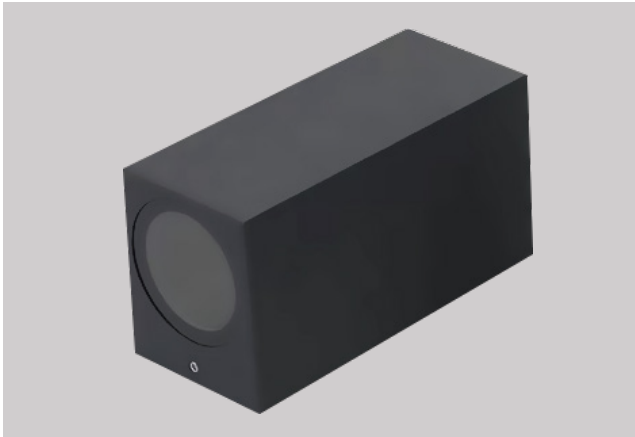
Z004
IP65



Item Code	Socket	Dimensions in mm			kg
		A	B	C	
Z004	GU10*2	67	94	152	0.5

Dimensions in mm





Description:
LAMP ACCESSORIES

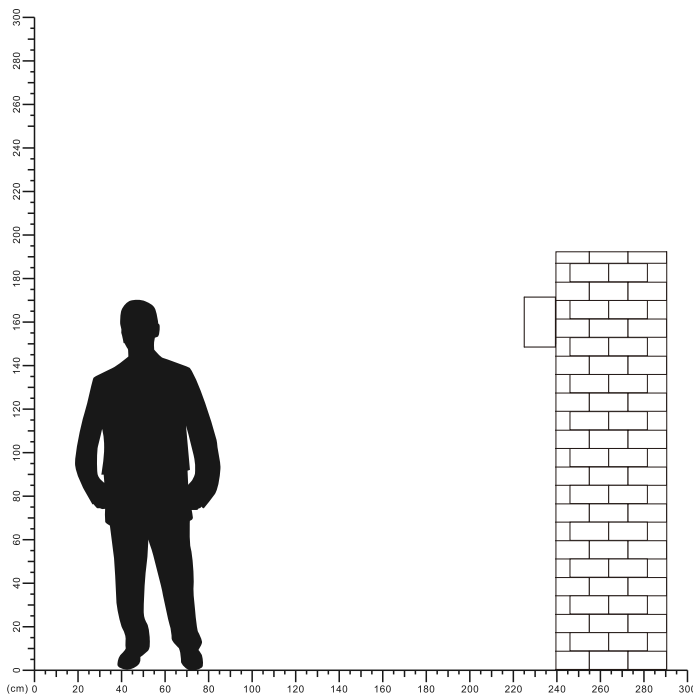
Main material:
Aluminum+Glass

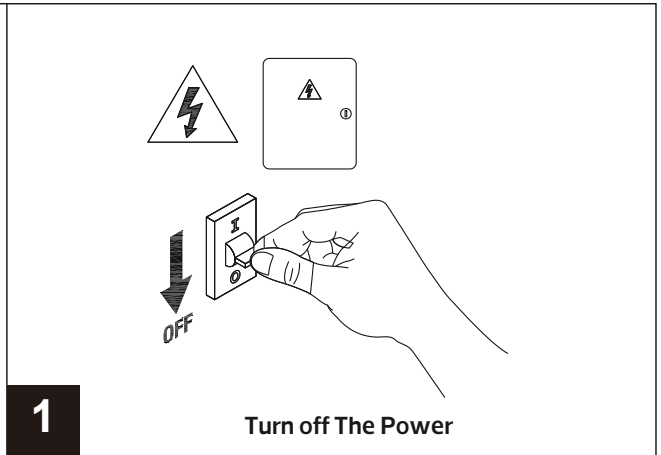
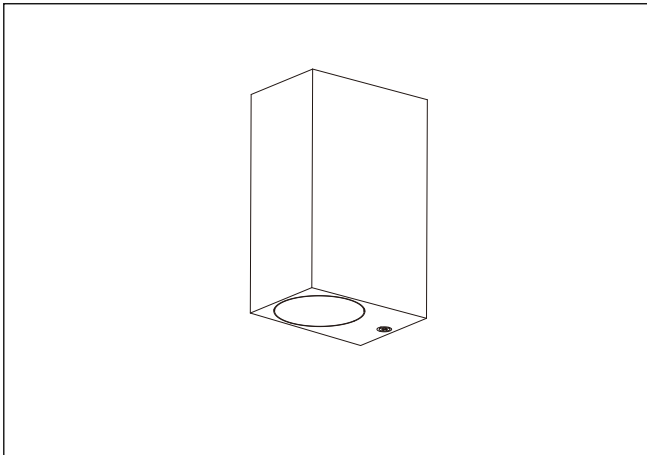
Specification

1. Fashionable simplicity: Classic modernist design, simple and generous lamp body, suitable for various decoration styles.
2. Texture material: Adopt high-quality materials, the surface is processed by special technology, which has texture and is easy to clean.
3. Multiple lights: Unique design concept, multiple light effects to choose from, both beautiful and practical.
4. Easy installation: The lamp holder adopts a user-friendly installation design, which is convenient, quick, time-saving and labor-saving.

Applications

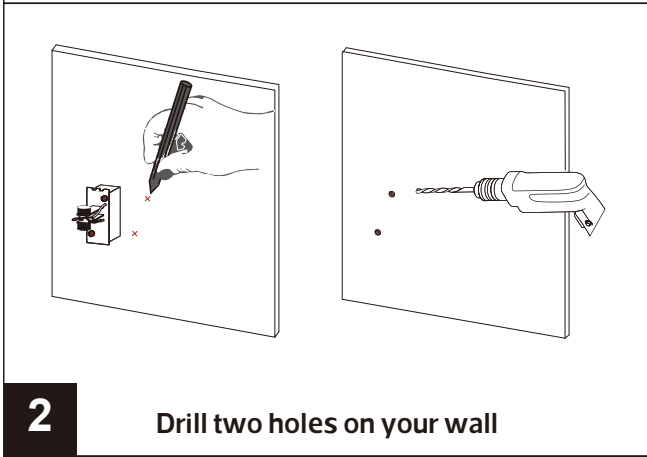
. Park . Square . Tourist attraction . Corridor





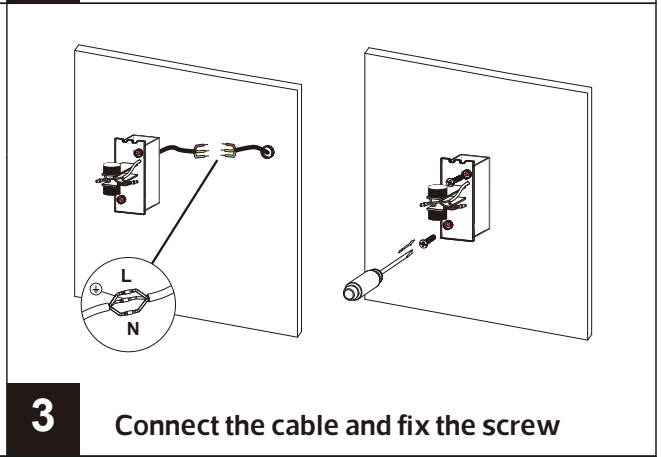
1

Turn off The Power



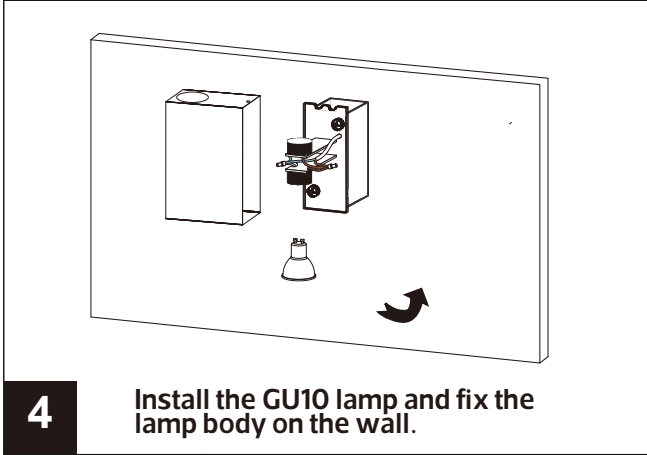
2

Drill two holes on your wall



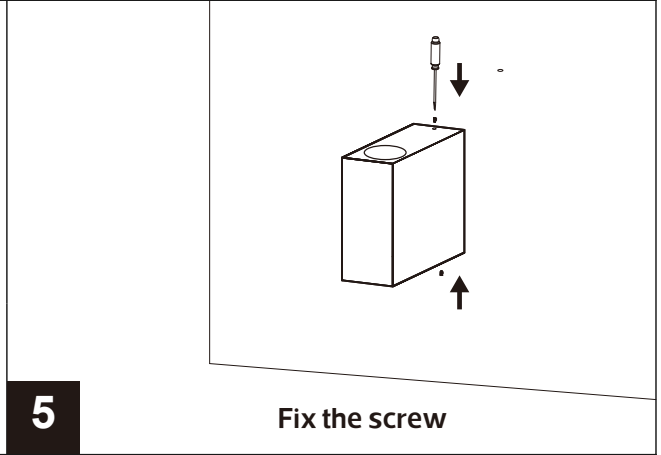
3

Connect the cable and fix the screw



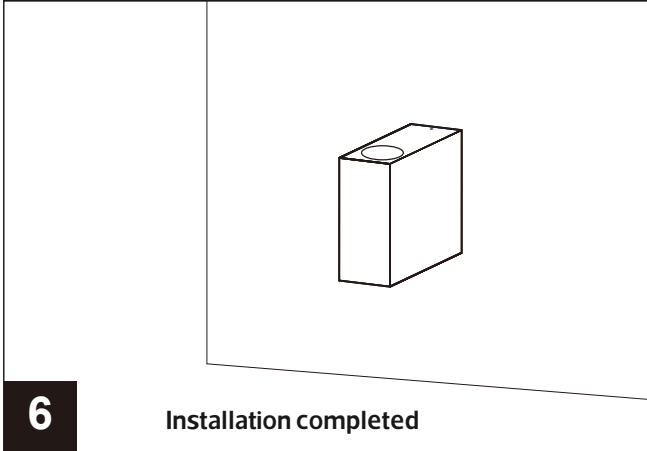
4

Install the GU10 lamp and fix the lamp body on the wall.



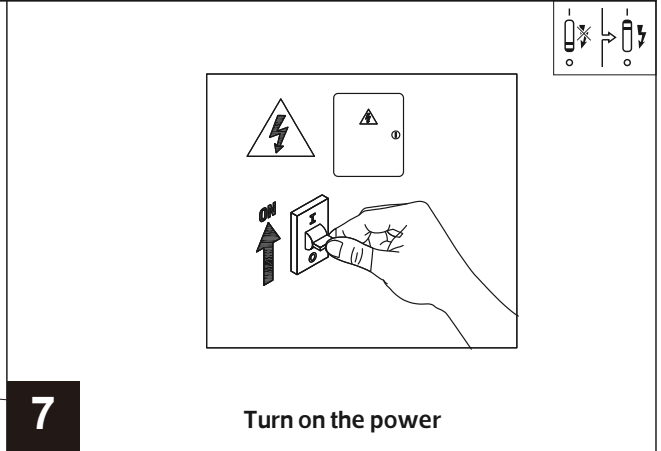
5

Fix the screw



6

Installation completed



7

Turn on the power

