

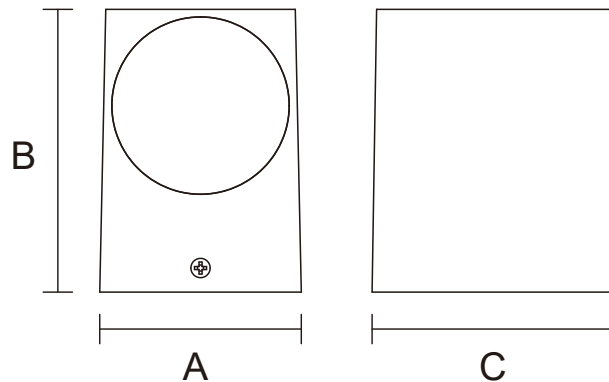
LAMP ACCESSORIES

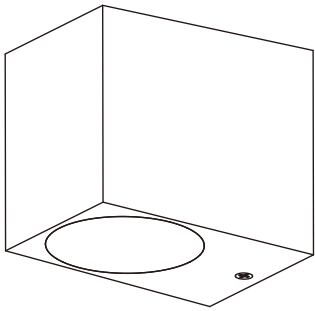
Z007 Series
IP65



Item Code	Socket	Color	Dimensions in mm			kg
			A	B	C	
Z007-BK	GU10*1	Black	66	94	81	0.35
Z007-WH	GU10*1	White	66	94	81	0.35

Dimensions in mm





Description:
LAMP ACCESSORIES

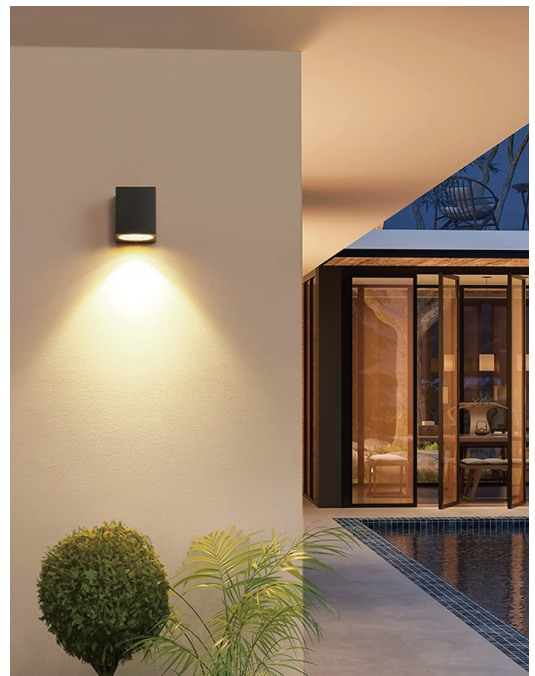
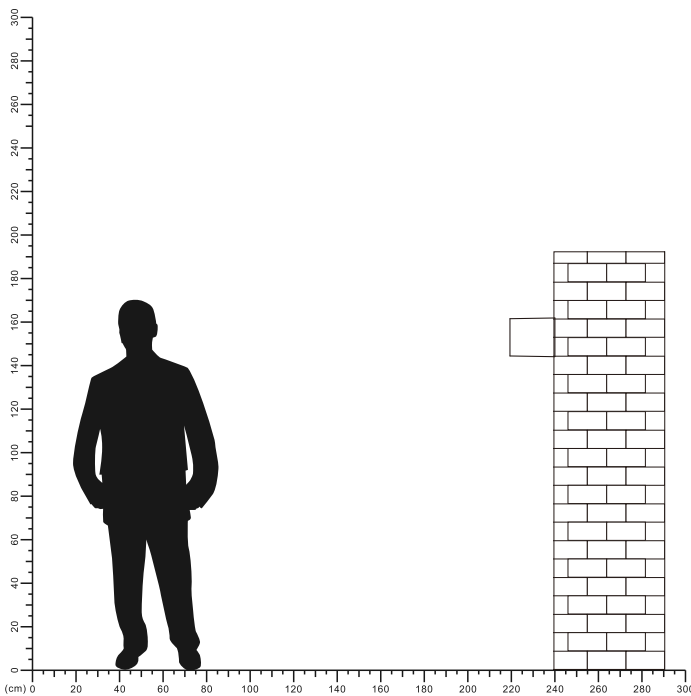
Main material:
Aluminum+Glass

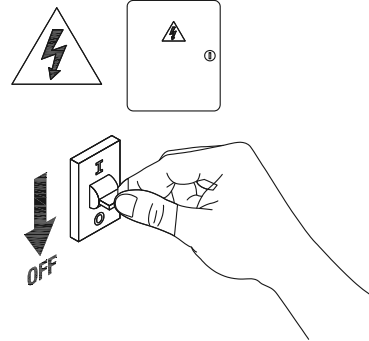
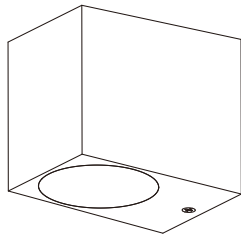
Specification

1. Fashionable simplicity: Classic modernist design, simple and generous lamp body, suitable for various decoration styles.
2. Texture material: Adopt high-quality materials, the surface is processed by special technology, which has texture and is easy to clean.
3. Multiple lights: Unique design concept, multiple light effects to choose from, both beautiful and practical.
4. Easy installation: The lamp holder adopts a user-friendly installation design, which is convenient, quick, time-saving and labor-saving.

Applications

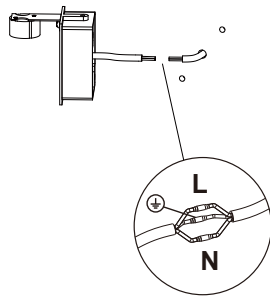
. ParK . Square . Tourist attraction . Corridor





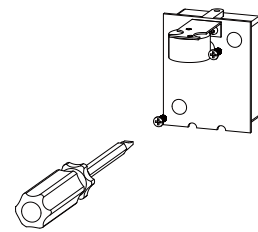
1

Turn off The Power



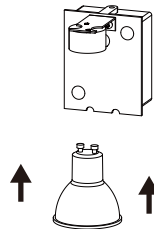
2

Connect the cable



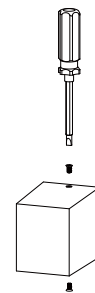
3

Fix the screw



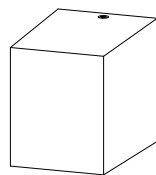
4

Install the lamp



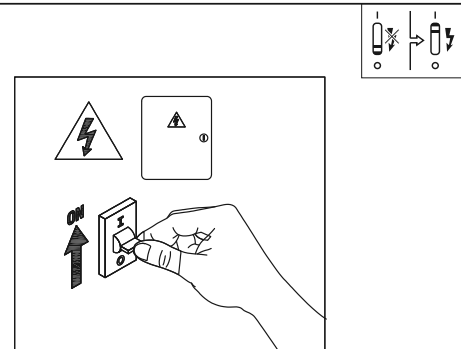
5

Fix the screw



6

Installation completed



7

Turn on the power

